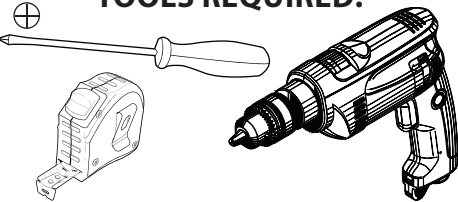


TOOLS REQUIRED:



ESTIMATED ASSEMBLY TIME:

5 MIN

CARE AND MAINTENANCE:

Clean with a damp cloth and wipe parts dry.

PARTS LIST:



TIE BUTLER™

-  **X2**
EURO SCREW
-  **X2**
WOOD SCREW (X3 ON 20")

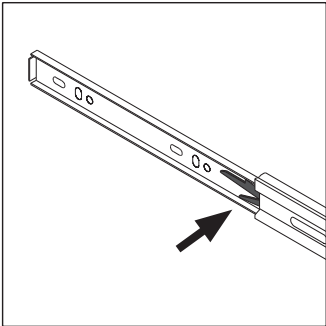
PARTS LIST:



BELT BUTLER™

-  **X2**
EURO SCREW
-  **X2**
WOOD SCREW (X3 ON 20")

1) Release slide from unit by pressing trigger



2) Attach to underside of shelf using screws provided.
 Euro screws can be used if closet utilizes system holes.

