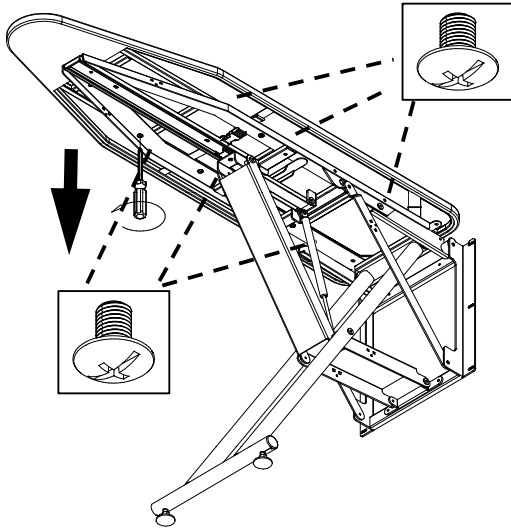


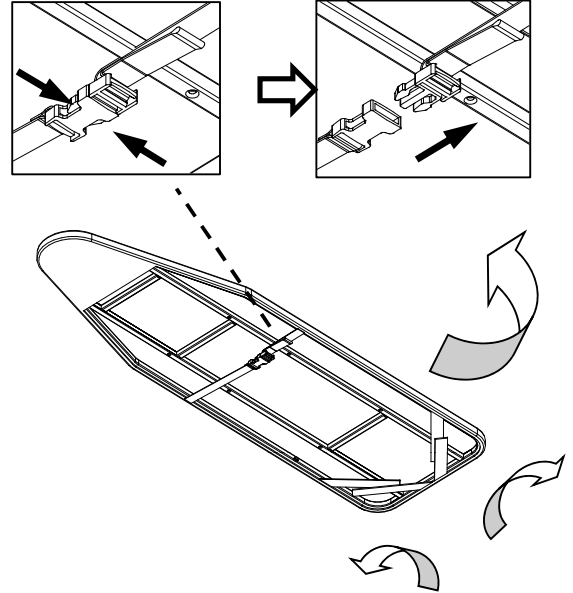
INSTALLATION INSTRUCTIONS

COVER(S07860-3) for POP OUT IRONING BOARD

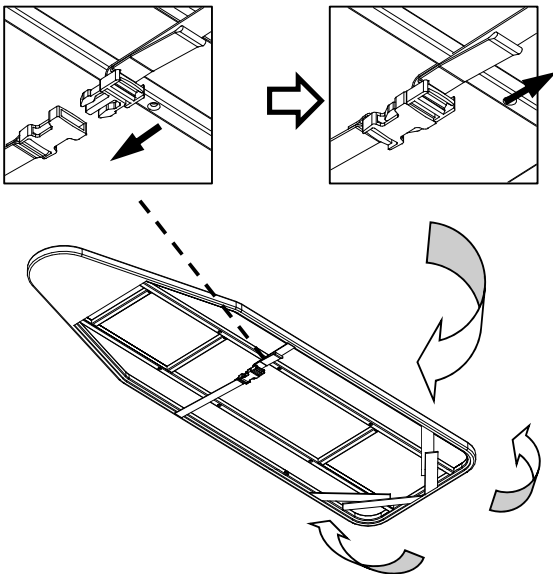
Step 1: Loose 6 screws to separate Ironing Board and mechanism.



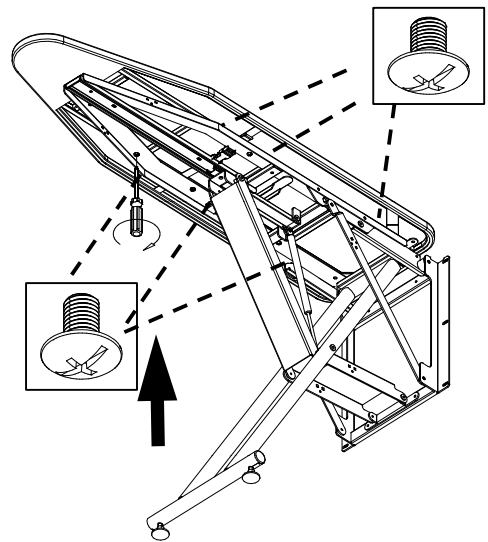
Step 2: Untie and take off the Cover from Ironing Board



Step 3: Put on the Cover and fasten on Ironing Board.



Step 4: Screw the Ironing Board on mechanism.



12400 Earl Jones Way

Louisville, KY 40299

rev-a-shelf.com

Customer Service: 800-626-1126