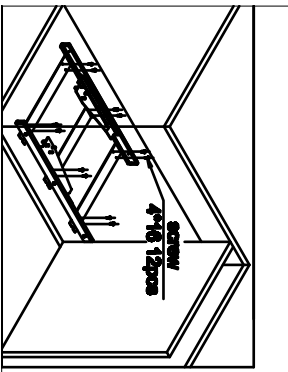
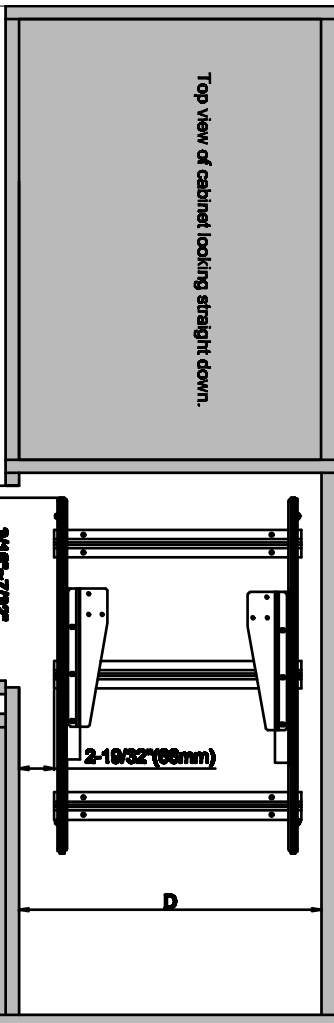
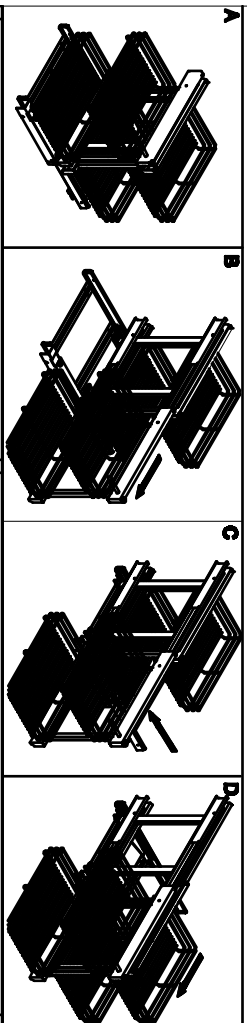
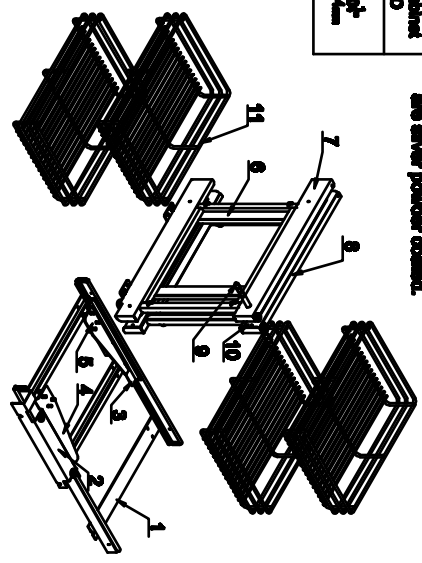


Assembly Instructions for CORNER OPTIMIZER (left)

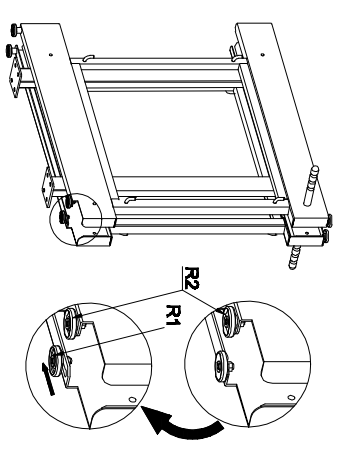
Size of Product WxDH	Size of basket DWH	Min. Door Cabinet Open Height	Min. Total Depth of cabinet D
32 1/2" x 20 1/2" x 20 1/2" (820mm x 510mm x 510mm)	18 1/2" x 14 3/4" x 3 1/2" (420mm x 375mm x 89mm (Front and Rear))	17 1/2" (450mm)	21" (530mm)

Contents			
I	II	III	
1-Base	2-Support	11-Bracket	4pcs
2-Guide channel	7-Right Guide	8-Left Guide	1pc (Right/Left side)
3-Base	9-Bracket	10-Bracket	2pcs
4-Front 1	10-Bracket	10-Bracket	2pcs
5-Front 2	10-Bracket	10-Bracket	2pcs

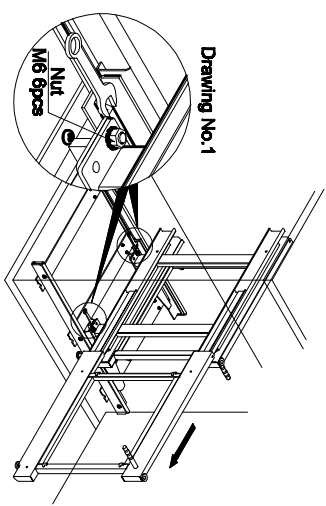
Baskets are Chroma, all others are silver powder coated.



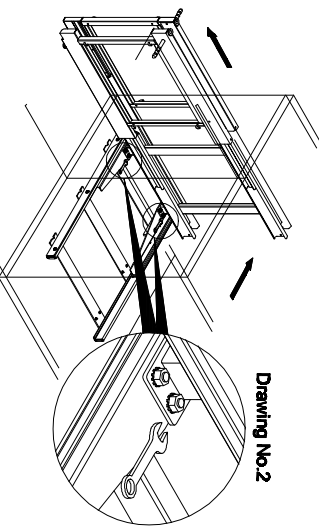
1. Place the Base into the Unit. Once the correct position has been determined, screw the Base into position.



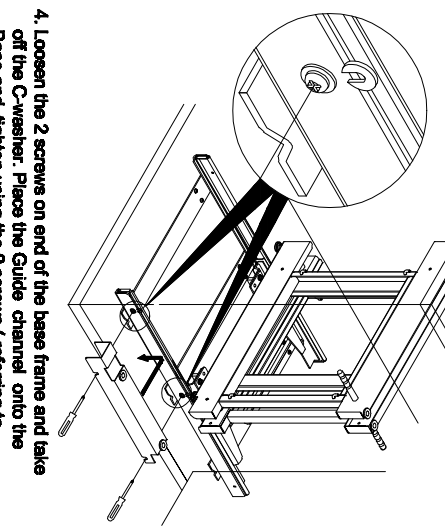
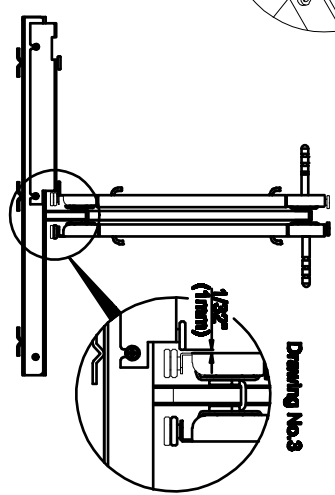
2. If using for BLIND LEFT CORNER OPTIMIZER, loosen the nut and move R1 backward to the end of the groove and tighten.



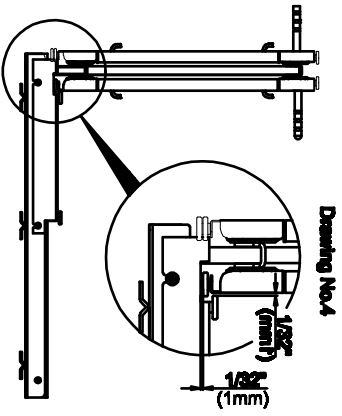
3.1. Move the sides to end of the base frame. Place the Support and Guide onto the Base and locate using 2 nuts supplied (referring to drawing NO.1).



3.2. Move the sides to other end of the base frame lightly and locate using 4 nuts supplied. (referring to drawing NO.2)



4. Loosen the 2 screws on end of the base frame and take off the C-washer. Place the Guide channel onto the Base and tighten using the 2 screws (referring to drawing NO.3 & 4 for fine adjustments if required).

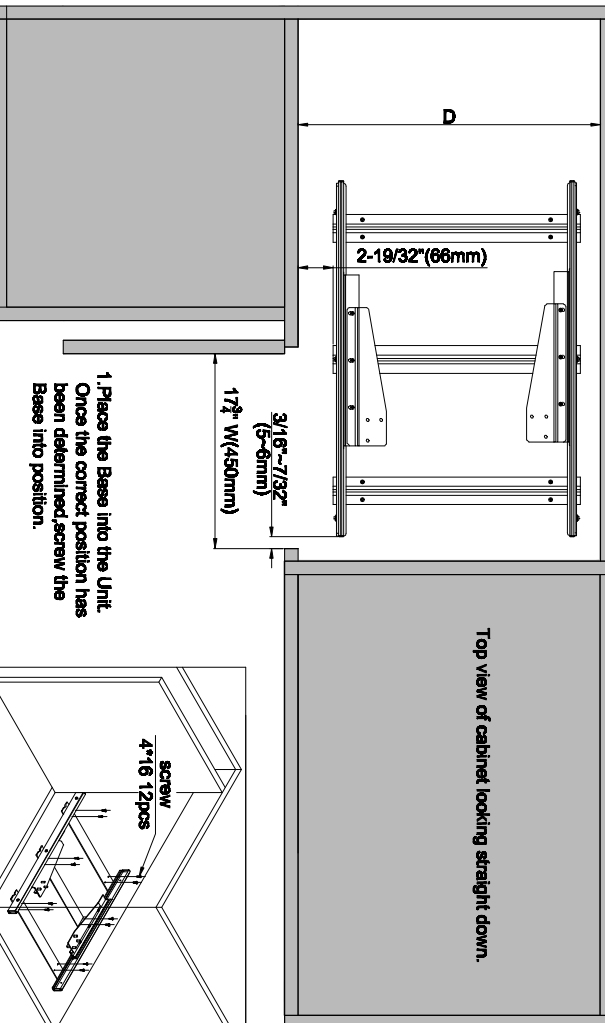
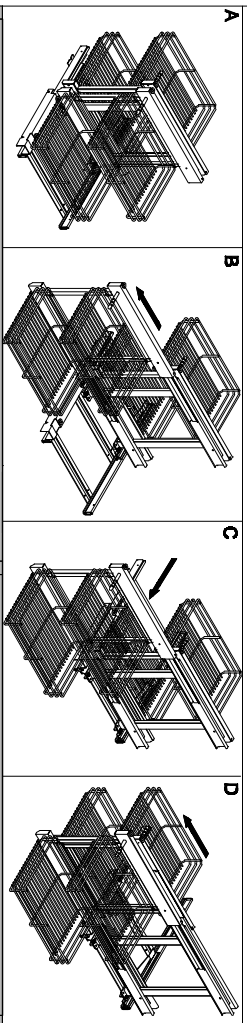
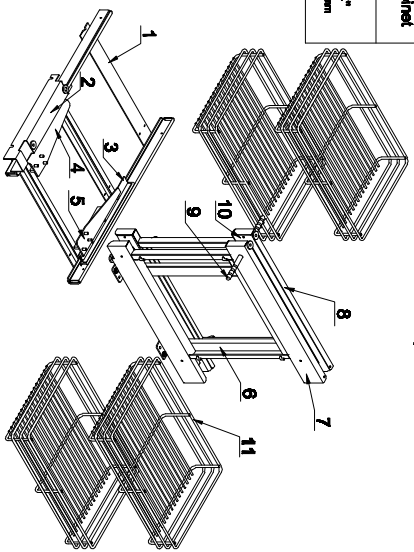


Assembly Instructions for CORNER OPTIMIZER (right)

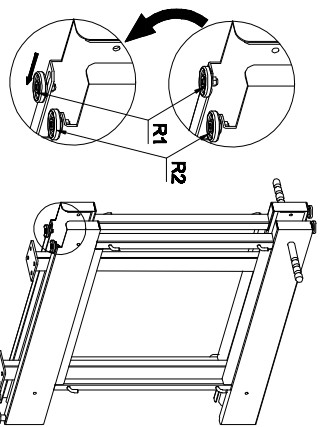
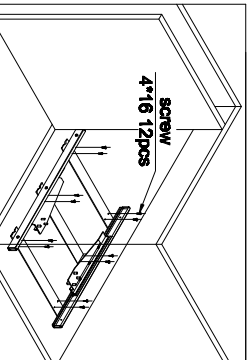
Size of Product W/D/H	Size of basket D/W/H	Min. Door Open	Min. Cabinet Height	Min. Neck Depth of cabinet D
32 1/2" x 20 1/2" x 20 1/2" (820mm x 510mm x 510mm)	18 1/2" x 14 1/2" x 3 1/2" (420mm x 375mm x 89mm) (front and Rear)	1 1/2"	21"	20 1/2"
		450mm	539mm	514mm

Baskets are Chrome, all others are silver powder coated.

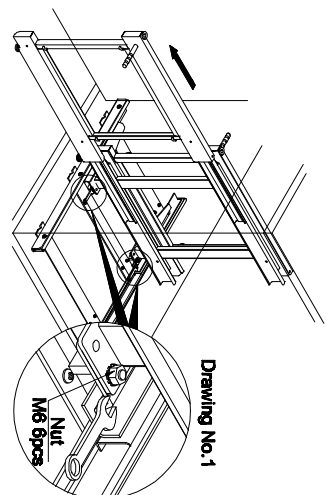
Contents		
I	II	III
1-Base	6-Support	11-Basket
2-Guide channel	7-Right Glide	4pcs
3-Slide	8-Left Glide	1pc
4-Foot 1	9-Handle	2pcs
5-Foot 2	10-Slide	4pcs
		M5*10 ST3.5*18 M6(Nut)



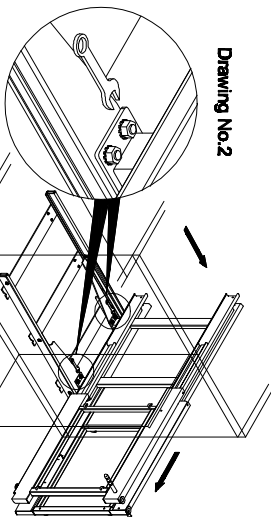
1. Place the Base into the Unit. Once the correct position has been determined, screw the Base into position.



2. If using for **BLIND RIGHT CORNER OPTIMIZER**, loosen the nut and move R1 backward to the end of the groove and tighten.

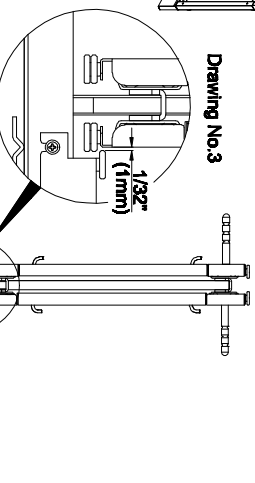


3.1. Move the slides to end of the base frame. Place the Support and Glides onto the Base and locate using 2 nuts supplied (referring to drawing NO.1).

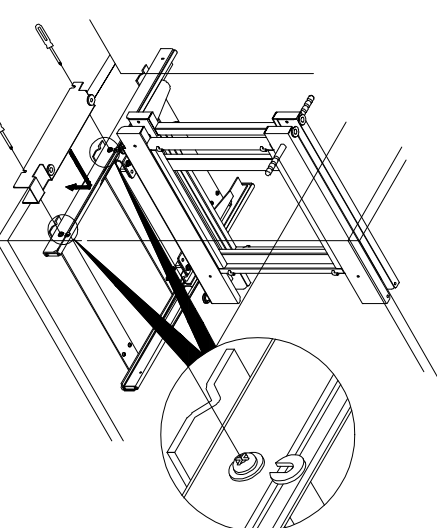


Drawing No.2

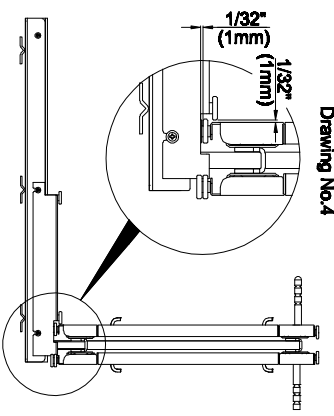
3.2. Move the slides to other end of the base frame lightly and locate using 4 nuts supplied. (referring to drawing NO.2)



Drawing No.3



4. Loosen the 2 screws on end of the base frame and take off the C-washer. Place the Guide channel onto the Base and tighten using the 2 screws (referring to drawing NO.3 & 4 for fine adjustments if required).



Drawing No.4