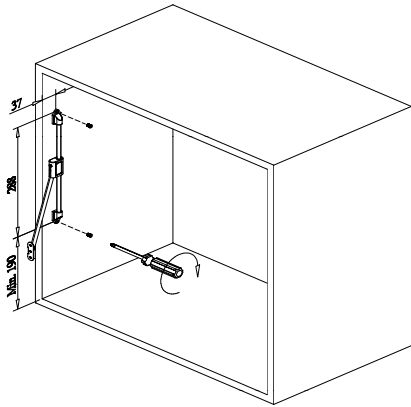


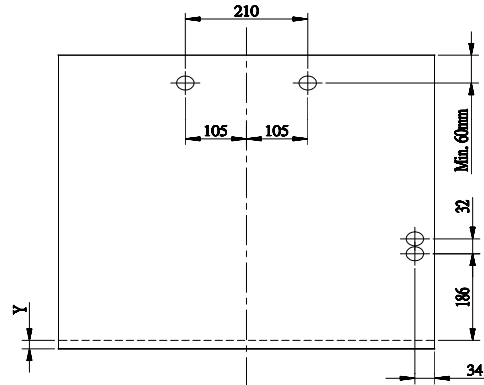
INSTALLATION INSTRUCTIONS

for Slanted Hamper

Step 1: Install Flap Stay on side of cabinet.



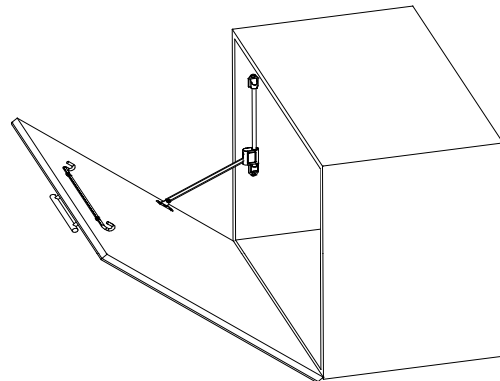
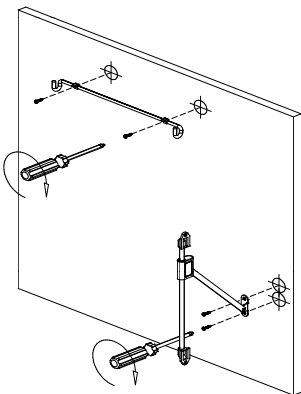
Step 2: Find the screw hole for hamper bracket by central line of door panel (Door Panel)



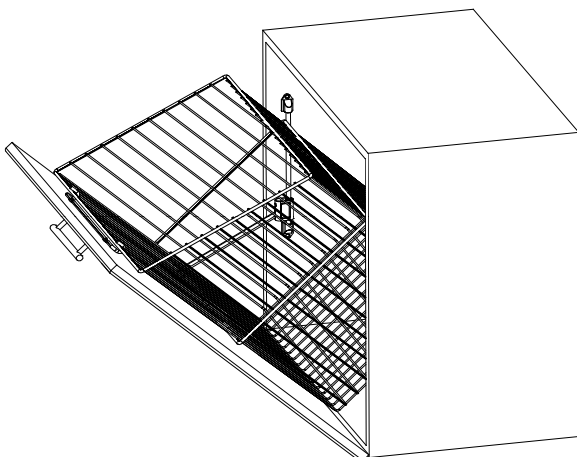
(Central Line)

Y=The thickness of carcass panel

Step 3: Screw door bracket and flap stay on door panel



Finished



12400 Earl Jones Way
Louisville, KY 40299
rev-a-shelf.com
Customer Service: 800-626-1126