

INSTALLATION INSTRUCTIONS

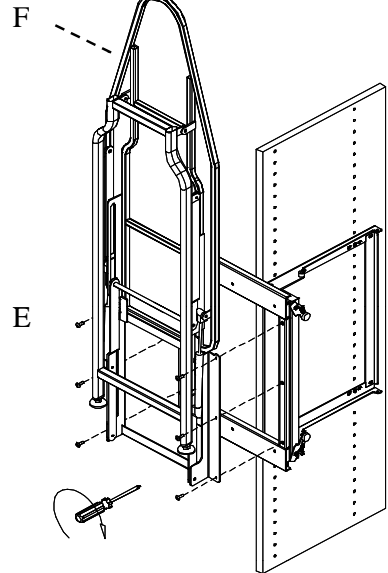
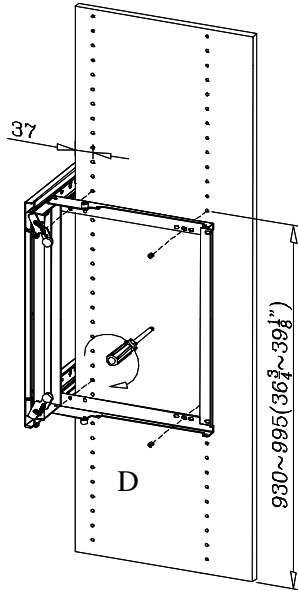
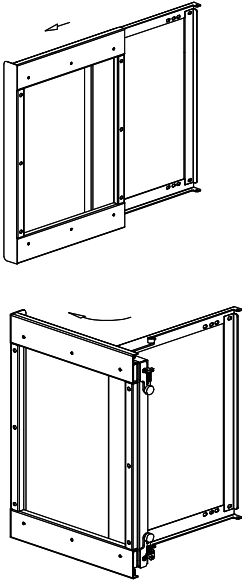
FOR SWIVEL IRONING BOARD

Step 1: Pull-out the mechanism and swivel.

Step 2: Attach to partition using 4 euro screws(D), Top screw must be between 36 3/4" ~ 39 1/8" from the floor.

Step 3: Screw Ironing Board(F) to mechanism(A) using 6 machine screws(E).

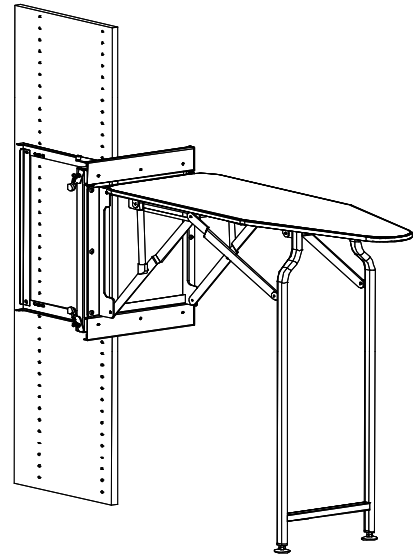
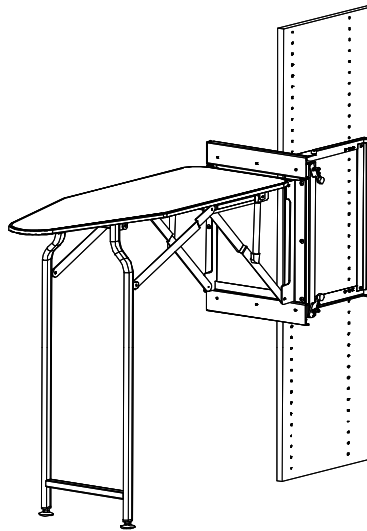
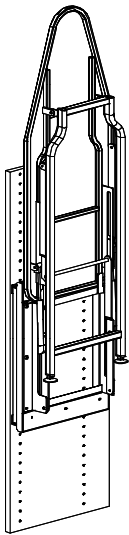
A

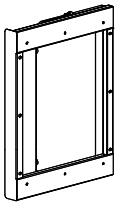
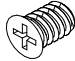

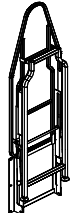


Step 4: Finished

Left

Right



	Type	Q'ty	Type	Q'ty	Type	Q'ty	Type	Q'ty			
A		1pc	D		4pcs	E		6pcs	F		1pc



12400 Earl Jones Way
Louisville, KY 40299
rev-a-shelf.com

Customer Service: 800-626-1126