



Project: \_\_\_\_\_ Type: \_\_\_\_\_ Prepared By: \_\_\_\_\_ Date: \_\_\_\_\_



### Features and Benefits

- Replacement for conventional fluorescent T8 and T12 linear tubes
- Integral Driver enables lamp to be wired directly to line voltage without need for an external driver or ballast
- Double ended wiring method
- Works with shunted sockets.
- Approximately 50% more energy efficient when compared to Fluorescent T8 lamps
- 50,000 hour Lifespan.
- Rated for use in enclosed and open fixtures in dry or damp locations
- Diffused frosted lens will maintain the same light quality over time
- Instant on full brightness
- Environmentally friendly, no mercury used
- NSF Listed: NSF/ANSI Standard 2 - Food Equipment - Splash Zone (Not for Direct Food Zone without additional fixture considerations)
- Internal thermal fuse for added safety
- Emergency back up available

### Technical Specifications

Performance	Construction	LED Characteristics
<b>Product Type:</b> Linear	<b>Material:</b> Glass	<b>Color Temperature:</b> 5000K Daylight
<b>Input Wattage:</b> 17W	<b>Bulb Shape:</b> T8	<b>Color Accuracy (CRI):</b> 82 CRI
<b>Lumens (Nominal):</b> 2200 lm	<b>Nominal Length:</b> 4 FT	<b>Electrical</b>
<b>Efficacy:</b> 150 lm/W	<b>Finish:</b> Frosted	<b>THD:</b> <20%
<b>L70 Lifespan:</b> 50,000 Hours	<b>Base Type:</b> G13	<b>Power Factor:</b> 0.9
<b>Wattage Equivalency:</b> 32W Fluorescent	<b>For Use Outdoors in Open Fixtures:</b> No	<b>Operating Temperature:</b> -20°C - 45°C (-4°F - 113°F)



## Technical Specifications (continued)

### Electrical

**Dimming:**

No

**Input Voltage:**

120-277V AC

**Operating Frequency:**

50/60Hz

### Other

**Warranty:**

RAB warrants that our LED products will be free from defects in materials and workmanship for a period of five (5) years from the date of delivery to the end user, including coverage of light output, color stability, driver performance and fixture finish. RAB's warranty is subject to all terms and conditions found at [rablighting.com/warranty](http://rablighting.com/warranty).

### Installation

**Installation Type:**

Type B, Double Ended wiring

### Compliance

**UL Recognized:**

Yes

**UL Classified:**

Yes

**NSF Listed:**

Meets NSF/ANSI standards for use in Food Zone (non-contact), Splash, and Non-Food Zones. Tube guard required in open fixtures.

**DLC Model Number:**

T8-17-48G-850-DE-BYP

**California Energy Commission (CEC) Status:**

Lawful for sale in California

### Application:

Suitable for damp locations and totally enclosed fixtures.

**DLC Listed:**

This product is on the Design Lights Consortium (DLC) Qualified Products List and is eligible for rebates from DLC Member Utilities. Designed to meet DLC 5.1 requirements.  
DLC Product Code: PG7EHIWS

### Optical

**Beam Angle:**

210°

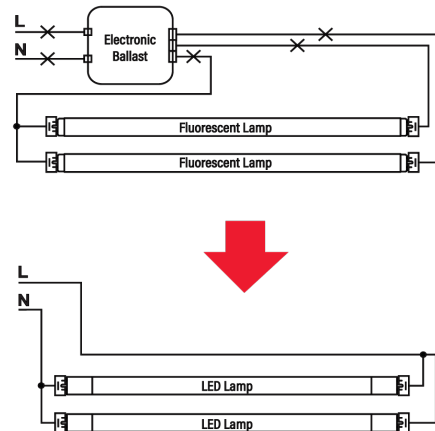
### Minimum Compartment Size

Length x Width x Height [in]	Lamp Quantity
47.8 x 23.8 x 3.0	4

### Case and Pallet Dimensions

	QTY	LENGTH (in)	WIDTH (in)	HEIGHT (in)
CASE	25	48.8	5.9	5.9
PALLET	1200	49.2	39.4	46.1

### Wiring Diagram





## Dimension

