

<b>Project:</b>	<b>Type:</b>	<b>Prepared By:</b>	<b>Date:</b>
-----------------	--------------	---------------------	--------------



**Features and Benefits**

- Replacement for conventional fluorescent T8 and T12 linear tubes
- Integral Driver enables lamp to be wired directly to line voltage without need for an external driver or ballast
- Approximately 50% more energy efficient when compared to Fluorescent T8 lamps
- Works with non-shunted sockets ONLY
- Separate wiring harness and socket kit accessory available
- 50,000 hour Lifespan
- Rated for use in enclosed and open fixtures in dry or damp locations
- Diffused frosted lens will maintain the same light quality over time
- Instant on full brightness
- Environmentally friendly, no mercury used
- NSF Listed: NSF/ANSI Standard 2 - Food Equipment - Splash Zone (Not for Direct Food Zone without additional fixture considerations)

Technical Specifications		
<b>Performance</b>	<b>Bulb Shape:</b>	<b>Color Accuracy (CRI):</b>
<b>Product Type:</b> Linear	T8	80 CRI
<b>Input Wattage:</b> 12W	<b>Nominal Length:</b> 4 FT	<b>Electrical</b>
<b>Lumens (Nominal):</b> 1800lm	<b>Finish:</b> Frosted	<b>THD:</b> <25%
<b>Efficacy:</b> 150 lm/W	<b>Base Type:</b> G13	<b>Power Factor:</b> >0.9
<b>L70 Lifespan:</b> 50,000 Hours	<b>For Use Outdoors in Open Fixtures:</b> No	<b>Operating Temperature:</b> -25°C - 45°C (-13&deg;F - 113°F)
<b>Construction</b>	<b>LED Characteristics</b>	<b>Dimming:</b> No
<b>Material:</b> Glass	<b>Color Temperature:</b> 3500K Neutral White	

**Technical Specifications (continued)**

**Electrical**

**Input Voltage:**

120-277V

**Operating Frequency:**

50/60Hz

**Input Current @ 120V:**

0.1mA

**Input Current @ 277V:**

0.05mA

**Flicker:**

≤40%

**Optical**

**Beam Angle:**

220°

**Other**

**Warranty:**

RAB warrants that our LED products will be free from defects in materials and workmanship for a period of five (5) years from the date of delivery to the end user, including coverage of light output, color stability, driver performance and fixture finish. RAB's warranty is subject to all terms and conditions found at [rablighting.com/warranty](http://rablighting.com/warranty).

**Installation**

**Installation Type:**

Type B, Single Ended wiring

**Compliance**

**UL Recognized:**

Yes

**UL Classified:**

Yes

**NSF Listed:**

Meets NSF/ANSI standards for use in Food Zone (non-contact), Splash, and Non-Food Zones. Tube guard required in open fixtures.

**California Energy Commission (CEC) Status:**

Lawful for sale in California

**Application:**

Suitable for damp locations and totally enclosed fixtures.

**DLC Model Number:**

T20026(T8-12-48G-835-SE-BYP)

**DLC Listed:**

This product is on the Design Lights Consortium (DLC) Qualified Products List and is eligible for rebates from DLC Member Utilities. Designed to meet DLC 5.1 requirements.

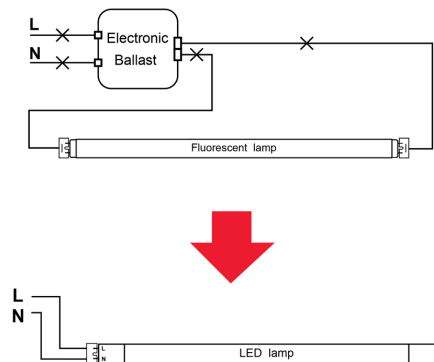
**Minimum Compartment Size**

Length x Width x Height [in]	Lamp Quantity
48.8 x 22.4 x 2.0	4

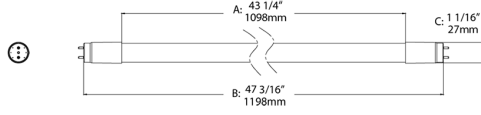
**Case and Pallet Dimensions**

	QTY	LENGTH (in)	WIDTH (in)	HEIGHT (in)
CASE	25	50.8	6.3	7.4
PALLET	0	44.8	39.6	52.4

**Wiring Diagram**



Dimension



Light Distribution

