

Project:	Type:	Prepared By:	Date:
-----------------	--------------	---------------------	--------------



Features and Benefits

- Replaces 18W/26W/32W G24d & G24q CFL Lamps
- Ballast Bypass. Integral Driver enables lamp to be wired directly to line voltage without need for an external driver or ballast
- Compatible with G24d / GX24d & G24q / GX24q installations
- 50,000 hour Lifespan
- Environmentally friendly, no mercury used
- UL Classified
- Rated for use in enclosed and open fixtures in dry or damp locations
- Non-Dimmable
- 5 Year No Compromise Warranty

Technical Specifications		
Performance	Construction	Electrical
Product Type: Compact	Bulb Shape: PLC	THD: <20%
Input Wattage: 9W	Finish: Frosted	Power Factor: 0.9
Wattage Equivalency: 26W Fluorescent	Base Type: G24d	Operating Temperature: -20°C - 45°C (-4°F - 113°F)
Lumens (Nominal): 950lm	For Use Outdoors in Open Fixtures: No	Dimmable: No
Efficacy: 106 lm/W	LED Characteristics	Input Voltage: 120-277V AC
L70 Lifespan: 50,000 Hours	Color Temperature: 3500K Neutral White	
	Color Accuracy (CRI): 82 CRI	

Technical Specifications (continued)

Electrical

Operating Frequency:

50/60Hz

Other

Warranty:

RAB warrants that our LED products will be free from defects in materials and workmanship for a period of five (5) years from the date of delivery to the end user, including coverage of light output, color stability, driver performance and fixture finish. RAB's warranty is subject to all terms and conditions found at rablighting.com/warranty.

Installation

Installation Type:

Type B, Ballast Bypass

Installation Orientation:

Vertical

Compliance

UL Recognized:

Yes

UL Classified:

Yes

California Energy Commission (CEC) Status:

Lawful for sale in California

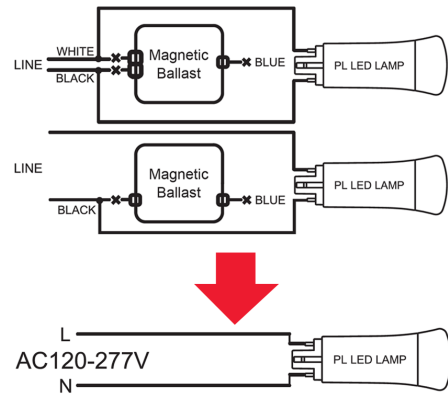
Application:

Suitable for damp locations and totally enclosed fixtures.

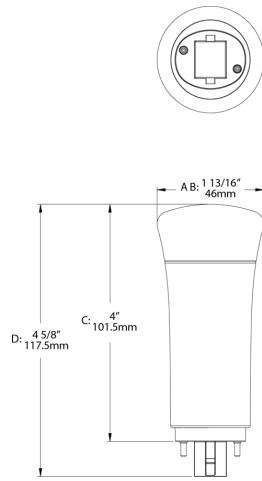
Case and Pallet Dimensions

	QTY	LENGTH (in)	WIDTH (in)	HEIGHT (in)
CASE	12	8.1	6.1	5.1
PALLET	3456	47.2	39.4	47.6

Wiring Diagram



Dimension



Light Distribution

