

Project: _____ Type: _____ Prepared By: _____ Date: _____



Features and Benefits

- Produces rich and vibrant colors >90CRI
- Energy efficient replacement for incandescent and halogen PAR lamps
- Constructed from durable materials which lowers risk of breakage
- Rated for use in enclosed and open fixtures in dry and damp locations*
- Single optic and full face lens for precise beam angle control
- Longer lifespan compared to legacy equivalents minimizes replacement and maintenance costs
- Title 20 Compliant, UL Listed
- Dimmable down to 10% (check dimmer compatibility list)
- *PAR38 is wet rated

Technical Specifications

Performance	LED Characteristics	Construction
Product Type: PAR	Color Accuracy (CRI): 90 CRI	Bulb Shape: PAR30S
Input Wattage: 11W	Color Temperature: 4000K	Enclosure Material: Plastic
Lumens (Nominal): 900lm	Electrical	Housing Finish: White
Efficacy: 82 lm/W	Power Factor: >0.9	Base Type: E26
L70 Lifespan: 25,000-Hour LED lifespan based on IES LM-70 results	Dimmable: Yes, down to 10%	Optical
Wattage Equivalency: 75W	Input Voltage: 120V	Beam Angle: 40°
	Operating Temperature: -20°C - 40°C	

Technical Specifications (continued)

Optical

MBCP:

1315

Other

Technology EQ:

Halogen

Warranty:

RAB warrants that our LED products will be free from defects in materials and workmanship for a period of three (3) years from the date of delivery to the end user, including coverage of light output, color stability, driver performance and fixture finish. RAB's warranty is subject to all terms and conditions found at rablighting.com/warranty.

Compliance

UL Listed:

Yes

Environment/Fixture Rating:

Damp / Enclosed

T20 Compliant:

Yes, Title 20 Tier 2

T24 JA8 Compliant:

Complies with Title 24 Appendix JA8

Rohs:

Mercury and UV free. RoHS-compliant components.

FCC:

Complies with Part 15 of the FCC Rules

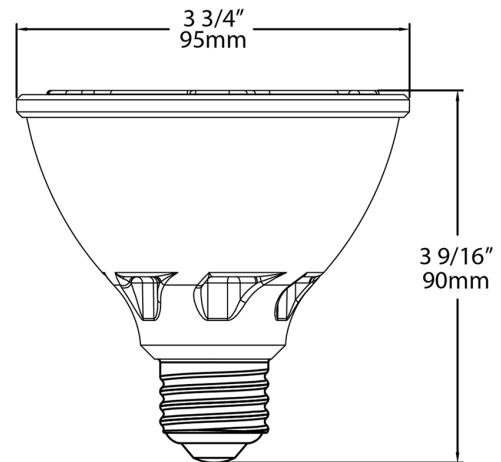
Model Number:

P10013(PAR30S-11-940-40D-DIM)

Case and Pallet Dimensions

	QTY	LENGTH (in)	WIDTH (in)	HEIGHT (in)
CASE	6	12.8	8.5	4.7
PALLET	864	46.7	38.4	37.8

Dimension



Light Distribution

