

<b>Project:</b>	<b>Type:</b>	<b>Prepared By:</b>	<b>Date:</b>
-----------------	--------------	---------------------	--------------



### Features and Benefits

- Energy efficient replacement for incandescent and halogen PAR lamps
- Constructed from durable materials which lowers risk of breakage
- Rated for use in enclosed and open fixtures in wet locations
- Single optic and full face lens for precise beam angle control
- Longer lifespan compared to legacy equivalents minimizes replacement and maintenance costs
- ENERGY STAR Compliant, UL Listed
- Dimmable down to 20% (check dimmer compatibility list)

### Technical Specifications

<p><b>Performance</b></p> <p><b>Product Type:</b> PAR</p> <p><b>Input Wattage:</b> 11W</p> <p><b>Wattage Equivalency:</b> 75W Halogen</p> <p><b>Lumens (Nominal):</b> 800lm</p> <p><b>Efficacy:</b> 73 lm/W</p> <p><b>L70 Lifespan:</b> 25,000 Hours</p>	<p><b>Construction</b></p> <p><b>Bulb Shape:</b> PAR30L</p> <p><b>Base Type:</b> E26</p> <p><b>For Use Outdoors in Open Fixtures:</b> Yes</p> <p><b>LED Characteristics</b></p> <p><b>Color Temperature:</b> 4000K Cool White</p> <p><b>Color Accuracy (CRI):</b> 80 CRI</p> <p><b>Electrical</b></p> <p><b>Power Factor:</b> 0.7</p>	<p><b>Operating Temperature:</b> -20°C - 45°C (-4°F - 113°F)</p> <p><b>Dimmable:</b> Yes, down to 20%</p> <p><b>Input Voltage:</b> 120V</p> <p><b>Flicker:</b> &lt;30%</p> <p><b>Optical</b></p> <p><b>Beam Angle:</b> 40°</p>
--	---	--

## Technical Specifications (continued)

### Other

#### Warranty:

RAB warrants that our LED products will be free from defects in materials and workmanship for a period of four (4) years from the date of delivery to the end user, including coverage of light output, color stability, driver performance and fixture finish. RAB's warranty is subject to all terms and conditions found at [rablighting.com/warranty](http://rablighting.com/warranty).

### Compliance

#### UL Listed:

Yes

#### ENERGY STAR V2.0:

This product is ENERGY STAR® Version 2.0 Certified

#### Energy Star ID:

2330165

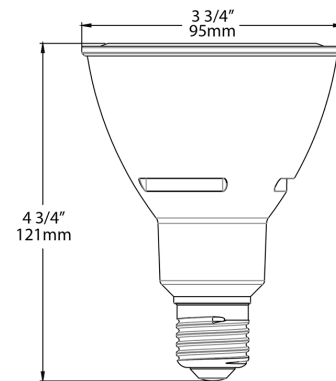
#### California Energy Commission (CEC) Status:

Not lawful for sale in California

## Case and Pallet Dimensions

	QTY	LENGTH (in)	WIDTH (in)	HEIGHT (in)
CASE	12	16.1	12.2	5.7
PALLET	1152	44.5	36.5	51

## Dimension



## Light Distribution

