

Project:	Type:	Prepared By:	Date:
-----------------	--------------	---------------------	--------------



Features and Benefits

- Energy efficient replacement for incandescent and halogen PAR lamps
- Constructed from durable materials which lowers risk of breakage
- Rated for use in enclosed and open fixtures in wet locations
- Single optic and full face lens for precise beam angle control
- Longer lifespan compared to legacy equivalents minimizes replacement and maintenance costs
- ENERGY STAR Compliant, UL Listed
- Dimmable down to 20% (check dimmer compatibility list)

Technical Specifications

Performance <hr/> Product Type: PAR Input Wattage: 11W Wattage Equivalency: 75W Halogen Lumens (Nominal): 800lm Efficacy: 73 lm/W L70 Lifespan: 25,000 Hours	Construction <hr/> Bulb Shape: PAR30L Base Type: E26 For Use Outdoors in Open Fixtures: Yes LED Characteristics <hr/> Color Temperature: 3000K Warm White Color Accuracy (CRI): 80 CRI Electrical <hr/> Power Factor: 0.7	Operating Temperature: -20°C - 45°C (-4°F - 113°F) Dimmable: Yes, down to 20% Input Voltage: 120V Flicker: <30% Optical <hr/> Beam Angle: 40°
--	---	--

Technical Specifications (continued)

Other

Warranty:

RAB warrants that our LED products will be free from defects in materials and workmanship for a period of four (4) years from the date of delivery to the end user, including coverage of light output, color stability, driver performance and fixture finish. RAB's warranty is subject to all terms and conditions found at rablighting.com/warranty.

Compliance

UL Listed:

Yes

ENERGY STAR V2.0:

This product is ENERGY STAR® Version 2.0 Certified

Energy Star ID:

2330166

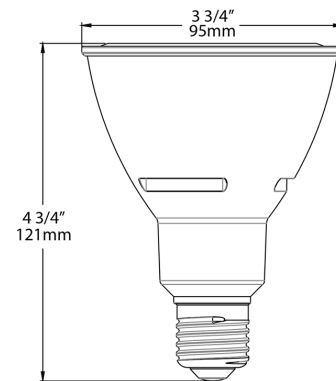
California Energy Commission (CEC) Status:

Not lawful for sale in California

Case and Pallet Dimensions

	QTY	LENGTH (in)	WIDTH (in)	HEIGHT (in)
CASE	12	16.1	12.2	5.7
PALLET	1152	44.5	36.5	51

Dimension



Light Distribution

