

Project:	Type:	Prepared By:	Date:
-----------------	--------------	---------------------	--------------



Features and Benefits

- Produces rich and vibrant colors >90CRI
- Energy efficient replacement for incandescent and halogen Small diameter reflectors
- Constructed from durable materials which lowers risk of breakage
- Rated for use in enclosed and open fixtures in dry or damp locations
- Single optic and full face lens for precise beam angle control
- Longer lifespan compared to legacy equivalents minimizes replacement and maintenance costs
- ENERGY STAR Compliant, UL Listed
- Compatible with low voltage transformers (check compatibility list)

Technical Specifications		
Performance	LED Characteristics	Construction
Product Type: Small-Reflector	Color Accuracy (CRI): 90 CRI	Bulb Shape: MR16
Input Wattage: 8W	Color Temperature: 2700K	Enclosure Material: Aluminum
Lumens (Nominal): 525 lm	Electrical	Housing Finish: White
Efficacy: 62 lm/W	Power Factor: >0.9	Base Type: GU5.3
L70 Lifespan: 25,000-Hour LED lifespan based on IES LM-70 results	Dimmable: Yes, down to 10%	Optical
Wattage Equivalency: 50W	Input Voltage: 12V	Beam Angle: 25°
	Operating Temperature: -20°C - 40°C	

Technical Specifications (continued)

Optical

MBCP:

2350

Other

Technology EQ:

Halogen

Warranty:

RAB warrants that our LED products will be free from defects in materials and workmanship for a period of four (4) years from the date of delivery to the end user, including coverage of light output, color stability, driver performance and fixture finish. RAB's warranty is subject to all terms and conditions found at rablighting.com/warranty.

Compliance

UL Listed:

Yes

Environment/Fixture Rating:

Damp / Enclosed

Energy Star ID:

2329186

T24 JA8 Compliant:

Complies with Title 24 Appendix JA8

Rohs:

Mercury and UV free. RoHS-compliant components.

FCC:

Complies with Part 15 of the FCC Rules

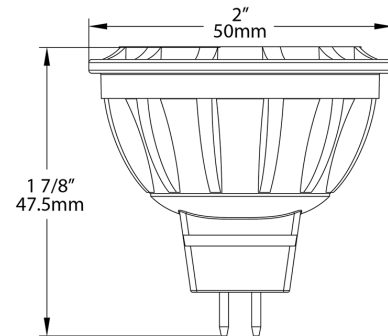
Model Number:

MR16-8-927-25D-DIM

Case and Pallet Dimensions

	QTY	LENGTH (in)	WIDTH (in)	HEIGHT (in)
CASE	12	7.7	5.7	2.6
PALLET	4536	47.8	40	10.2

Dimension



Light Distribution

