

Project: _____ Type: _____ Prepared By: _____ Date: _____



Features and Benefits

- Produces rich and vibrant colors >90CRI
- Energy efficient replacement for incandescent and halogen Small diameter reflectors
- Constructed from durable materials which lowers risk of breakage
- Rated for use in enclosed and open fixtures in dry or damp locations
- Single optic and full face lens for precise beam angle control
- Longer lifespan compared to legacy equivalents minimizes replacement and maintenance costs
- Title 20 Compliant, ENERGY STAR Compliant, UL Listed
- Compatible with low voltage transformers (check compatibility list)

Technical Specifications		
Performance	Construction	Operating Temperature:
Product Type: Small-Reflector	Bulb Shape: MR16	-20°C - 45°C (-4°F - 113°F)
Input Wattage: 7.5W	Base Type: GU5.3	Dimmable: Yes
Wattage Equivalency: 75W Halogen	For Use Outdoors in Open Fixtures: No	Input Voltage: 12V
Lumens (Nominal): 560lm	LED Characteristics	Flicker: ≤30%
Efficacy: 75 lm/W	Color Temperature: 3000K Warm White	Optical
L70 Lifespan: 25,000 Hours	Color Accuracy (CRI): ≥90	Beam Angle: 25°
	Electrical	
	Power Factor: >0.9	

Technical Specifications (continued)

Other

Warranty:

RAB warrants that our LED products will be free from defects in materials and workmanship for a period of five (5) years from the date of delivery to the end user, including coverage of light output, color stability, driver performance and fixture finish. RAB's warranty is subject to all terms and conditions found at rablighting.com/warranty.

Compliance

UL Listed:

Yes

ENERGY STAR V2.0:

This product is ENERGY STAR® Version 2.0 Certified

Energy Star ID:

2351641

Model Number:

R10034

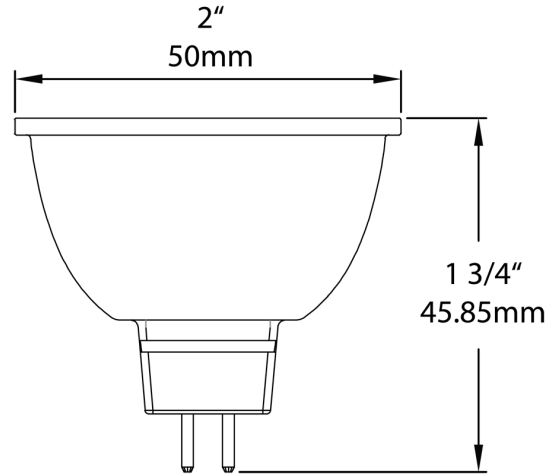
California Energy Commission (CEC) Status:

Lawful for sale in California

Case and Pallet Dimensions

	QTY	LENGTH (in)	WIDTH (in)	HEIGHT (in)
CASE	12	8.74	6.61	2.165
PALLET	5760	44.49	40.47	45.35

Dimension



Light Distribution

