

Project:	Type:	Prepared By:	Date:
-----------------	--------------	---------------------	--------------



Features and Benefits

- Produces rich and vibrant colors >90CRI
- Energy efficient replacement for incandescent and halogen Small diameter reflectors
- Constructed from durable materials which lowers risk of breakage
- Rated for use in enclosed and open fixtures in dry or damp locations
- Single optic and full face lens for precise beam angle control
- Longer lifespan compared to legacy equivalents minimizes replacement and maintenance costs
- Title 20 Compliant, ENERGY STAR Compliant, UL Listed
- Compatible with low voltage transformers (check compatibility list)

Technical Specifications		
Performance	Construction	Operating Temperature:
Product Type: Small-Reflector	Bulb Shape: MR16	-20°C - 45°C (-4°F - 113°F)
Input Wattage: 6.5W	Base Type: GU5.3	Dimmable: Yes
Wattage Equivalency: 50W Halogen	For Use Outdoors in Open Fixtures: No	Input Voltage: 12V
Lumens (Nominal): 500lm	LED Characteristics	Flicker: ≤30%
Efficacy: 77 lm/W	Color Temperature: 4000K Cool White	Optical
L70 Lifespan: 25,000 Hours	Color Accuracy (CRI): ≥90	Beam Angle: 35°
	Electrical	
	Power Factor: >0.9	

Technical Specifications (continued)

Compliance

UL Listed:

Yes

ENERGY STAR V2.0:

This product is ENERGY STAR® Version 2.0 Certified

Energy Star ID:

2351923

Model Number:

R10027

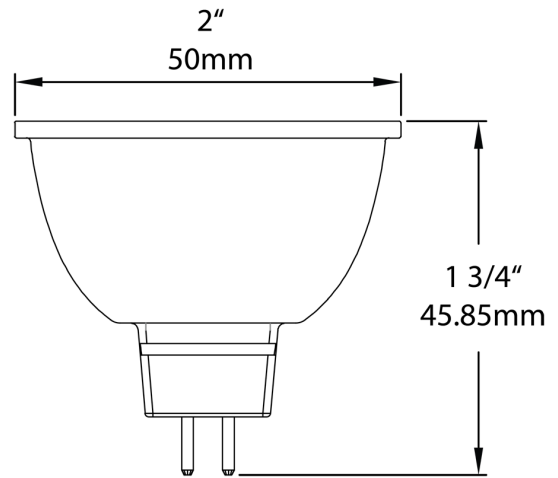
California Energy Commission (CEC) Status:

Lawful for sale in California

Case and Pallet Dimensions

	QTY	LENGTH (in)	WIDTH (in)	HEIGHT (in)
CASE	12	8.74	6.61	2.165
PALLET	5760	44.49	40.47	45.35

Dimension



Light Distribution

