

Project:	Type:	Prepared By:	Date:
-----------------	--------------	---------------------	--------------



Features and Benefits

- Produces rich and vibrant colors >90CRI
- Energy efficient replacement for incandescent and halogen Small diameter reflectors
- Constructed from durable materials which lowers risk of breakage
- Rated for use in enclosed and open fixtures in dry or damp locations
- Single optic and full face lens for precise beam angle control
- Longer lifespan compared to legacy equivalents minimizes replacement and maintenance costs
- Title 20 Compliant, ENERGY STAR Compliant, UL Listed
- Compatible with low voltage transformers (check compatibility list)

Technical Specifications

Performance <hr/> Product Type: Small-Reflector Input Wattage: 6.5W Wattage Equivalency: 50W Halogen Lumens (Nominal): 500lm Efficacy: 77 lm/W L70 Lifespan: 25,000 Hours	Construction <hr/> Bulb Shape: MR16 Base Type: GU5.3 For Use Outdoors in Open Fixtures: No LED Characteristics <hr/> Color Temperature: 3000K Warm White Color Accuracy (CRI): ≥90 Electrical <hr/> Power Factor: >0.9	Operating Temperature: -20°C - 45°C (-4°F - 113°F) Dimmable: Yes Input Voltage: 12V Flicker: ≤30% Optical <hr/> Beam Angle: 25°
---	--	--

Technical Specifications (continued)

Other

Warranty:

RAB warrants that our LED products will be free from defects in materials and workmanship for a period of five (5) years from the date of delivery to the end user, including coverage of light output, color stability, driver performance and fixture finish. RAB's warranty is subject to all terms and conditions found at rablighting.com/warranty.

Compliance

UL Listed:

Yes

ENERGY STAR V2.0:

This product is ENERGY STAR® Version 2.0 Certified

Energy Star ID:

2351920

Model Number:

R10024

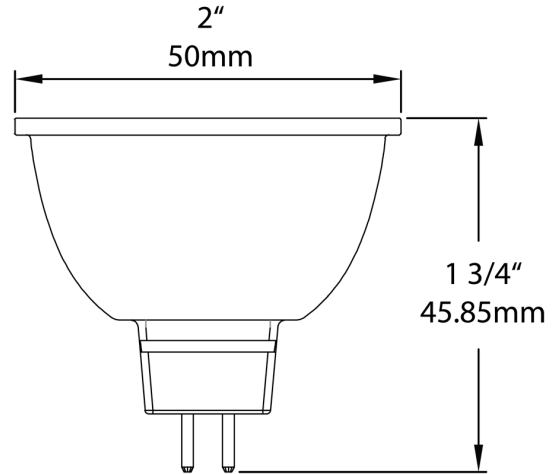
California Energy Commission (CEC) Status:

Lawful for sale in California

Case and Pallet Dimensions

	QTY	LENGTH (in)	WIDTH (in)	HEIGHT (in)
CASE	12	8.74	6.61	2.165
PALLET	5760	44.49	40.47	45.35

Dimension



Light Distribution

