

Project:	Type:
Prepared By:	Date:

**Technical Specifications**

**Performance**

**Product Type:**

Decorative

**Input Wattage:**

3W

**Wattage Equivalency:**

40W Incandescent

**Lumens (Nominal):**

350lm

**Efficacy:**

92 lm/W

**L70 Lifespan:**

15,000 Hours

**Construction**

**Bulb Shape:**

G16.5

**Finish:**

Frosted

**Base Type:**

E12

**For Use Outdoors in Open Fixtures:**

No

**LED Characteristics**

**Color Temperature:**

5000K Daylight

**Color Accuracy (CRI):**

90 CRI

**Electrical**

**Power Factor:**

0.7

**Operating Temperature:**

-20°C - 45°C (-4°F - 113°F)

**Technical Specifications (continued)**

**Electrical**

**Dimmable:**

Yes, down to 10%

**Input Voltage:**

120V

**Flicker:**

<30%

**Optical**

**Beam Angle:**

360°

**Other**

**Warranty:**

RAB warrants that our LED products will be free from defects in materials and workmanship for a period of three (3) years from the date of delivery to the end user, including coverage of light output, color stability, driver performance and fixture finish. RAB's warranty is subject to all terms and conditions found at [rablighting.com/warranty](http://rablighting.com/warranty).

**Buy American Act Compliance:**

RAB values USA manufacturing! Upon request, RAB may be able to manufacture this product to be compliant with the Buy American Act (BAA). Please contact customer service to request a quote for the product to be made BAA compliant.

**Compliance**

**ETL Qualified:**

Yes

**ENERGY STAR V2.0:**

This product is ENERGY STAR® Version 2.0 Certified

**Energy Star ID:**

2330349

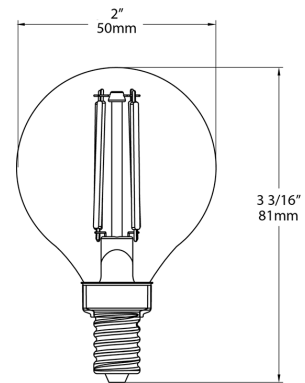
**California Energy Commission (CEC) Status:**

Lawful for sale in California

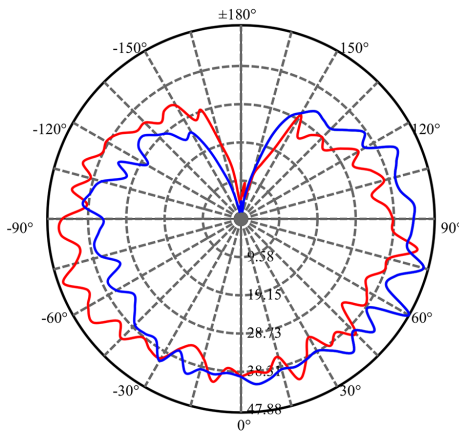
**Case and Pallet Dimensions**

	QTY	LENGTH (in)	WIDTH (in)	HEIGHT (in)
CASE	12	9	6.8	4.3
PALLET	1620	39.1	45.7	36.2

**Dimension**



Light Distribution



Features

- Replacement for conventional decorative lamps
- Filament LED construction gives a unique traditional look and feel for decorative and ambient applications
- Produces rich and vibrant colors, >90CRI
- Rated for use in enclosed and open fixtures in dry and damp locations
- Longer lifespan compared to legacy equivalents minimizes replacement and maintenance costs
- Title 20 Compliant, ENERGY STAR Compliant, UL Listed
- Smooth uniform dimming down to 10% (check dimmer compatibility list)

Ordering Matrix

Family	Wattage	Base Type	CRI/Color Temp	Type	Finish
G16.5	3	E12	950	F	F
	3 = 3W	E12 = E12 E26 = E26	950 = 90 CRI, 5000K 927 = 2700K	F = Filament	C = Clear F = Frosted