

Project:	Type:	Prepared By:	Date:
-----------------	--------------	---------------------	--------------



Features and Benefits

- Energy efficient replacement for incandescent and halogen reflector lamps
- Constructed from durable plastic which lowers risk of breakage
- Rated for use in enclosed and open fixtures in dry or damp locations
- Frosted lens produces smooth diffuse light
- Longer lifespan compared to legacy equivalents minimizes replacement and maintenance costs
- ENERGY STAR Compliant
- Dimmable with common dimmer types (see Dimmer Compatibility List)

Technical Specifications		
Performance	LED Characteristics	Construction
Product Type: Reflector	Color Accuracy (CRI): 80	Bulb Shape: BR40
Input Wattage: 13W	Color Temperature: 3000K	Enclosure Material: Plastic
Lumens (Nominal): 950lm	Electrical	Housing Finish: White
Efficacy: 73 lm/W	Power Factor: >0.9	Lens Finish: Frosted
L70 Lifespan: 25,000-Hour LED lifespan based on IES LM-70 results	Dimmable: Yes, down to 20%	Base Type: E26
Wattage Equivalency: 75W	Input Voltage: 120V	
	Operating Temperature: -20°C - 40°C	

Technical Specifications (continued)

Optical

Beam Angle:

110°

Other

Technology EQ:

Incandescent

Compliance

UL Listed:

Yes

Environment/Fixture Rating:

Damp / Enclosed

Energy Star ID:

2329453

Rohs:

Mercury and UV free. RoHS-compliant components.

FCC:

Complies with Part 15 of the FCC Rules

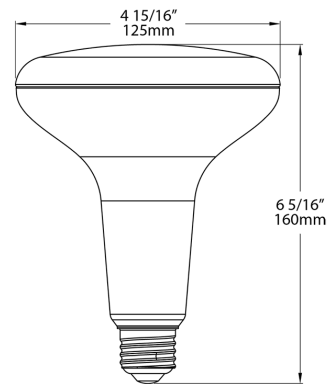
Model Number:

BR40-13-830-DIM

Case and Pallet Dimensions

	QTY	LENGTH (in)	WIDTH (in)	HEIGHT (in)
CASE	6	15.8	10.6	7
PALLET	360	47.2	37	34.8

Dimension



Light Distribution

