

Project:

Type:

Prepared By:

Date:



UPC: 019813750460



### Features and Benefits

- Energy efficient replacement for incandescent and halogen reflector lamps
- Constructed from durable plastic which lowers risk of breakage
- Rated for use in enclosed and open fixtures in dry or damp locations
- Frosted lens produces smooth diffuse light
- Longer lifespan compared to legacy equivalents minimizes replacement and maintenance costs
- ENERGY STAR Compliant
- Dimmable with common dimmer types (see Dimmer Compatibility List)

### Technical Specifications

#### Performance

**Product Type:**

Reflector

**Input Wattage:**

13W

**Lumens (Nominal):**

950lm

**Efficacy:**

73 lm/W

**L70 Lifespan:**

25,000-Hour LED lifespan based on IES LM-70 results

**Wattage Equivalency:**

75W

#### LED Characteristics

**Color Accuracy (CRI):**

80

**Color Temperature:**

2700K

#### Electrical

**Power Factor:**

&gt;0.9

**Dimmable:**

Yes, down to 20%

**Input Voltage:**

120V

**Operating Temperature:**

-20°C - 40°C

#### Construction

**Bulb Shape:**

BR40

**Enclosure Material:**

Plastic

**Housing Finish:**

White

**Lens Finish:**

Frosted

**Base Type:**

E26

## Technical Specifications (continued)

### Optical

#### Beam Angle:

110°

### Other

#### Technology EQ:

Incandescent

### Compliance

#### UL Listed:

Yes

#### Environment/Fixture Rating:

Damp / Enclosed

#### Energy Star ID:

2329452

#### Rohs:

Mercury and UV free. RoHS-compliant components.

#### FCC:

Complies with Part 15 of the FCC Rules

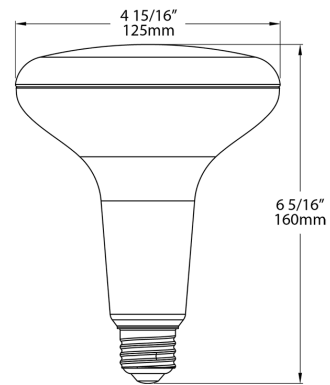
#### Model Number:

BR40-13-827-DIM

## Case and Pallet Dimensions

	QTY	LENGTH (in)	WIDTH (in)	HEIGHT (in)
CASE	6	15.8	10.6	7
PALLET	360	47.2	37	34.8

## Dimension



## Light Distribution

