

Project:	Type:	Prepared By:	Date:
-----------------	--------------	---------------------	--------------



Features and Benefits

- Energy efficient replacement for incandescent and halogen lamps
- Constructed from durable plastic which lowers risk of breakage
- Rated for use in enclosed and open fixtures in dry or damp locations
- Frosted lens produces smooth diffuse light
- Longer lifespan compared to legacy equivalents minimizes replacement and maintenance costs
- ENERGY STAR Compliant

Technical Specifications		
Performance	Construction	Operating Temperature:
Product Type: A-Line	Bulb Shape: A21	-25°C - 40°C
Input Wattage: 16W	Base Type: E26	Dimmable: No
Wattage Equivalency: 100W Incandescent	For Use Outdoors in Open Fixtures: No	Input Voltage: 120V
Lumens (Nominal): 1600lm	LED Characteristics	Operating Frequency: 60 Hz
Efficacy: 100 lm/W	Color Temperature: 3000K Warm White	Optical
L70 Lifespan: 15,000 Hours	Color Accuracy (CRI): 80 CRI	Beam Angle: 230°
	Electrical	
	Power Factor: >0.7	

Technical Specifications (continued)

Other

Warranty:

RAB warrants that our LED products will be free from defects in materials and workmanship for a period of three (3) years from the date of delivery to the end user, including coverage of light output, color stability, driver performance and fixture finish. RAB's warranty is subject to all terms and conditions found at rablighting.com/warranty.

Compliance

UL Listed:

Yes

ENERGY STAR V2.0:

This product is ENERGY STAR® Version 2.0 Certified

Energy Star Model Number:

A10008

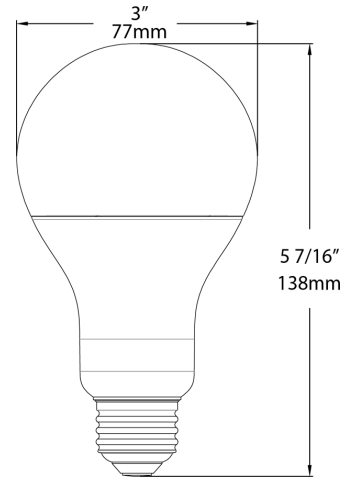
California Energy Commission (CEC) Status:

Not lawful for sale in California

Case and Pallet Dimensions

	QTY	LENGTH (in)	WIDTH (in)	HEIGHT (in)
CASE	12	12.8	9.7	6.2
PALLET	1260	43.9	40.3	50

Dimension



Light Distribution

