

Project:	Type:	Prepared By:	Date:
-----------------	--------------	---------------------	--------------



Features and Benefits

- Energy efficient replacement for incandescent and halogen lamps
- Constructed from durable plastic which lowers risk of breakage
- Rated for use in enclosed and open fixtures in dry or damp locations
- Frosted lens produces smooth diffuse light
- Longer lifespan compared to legacy equivalents minimizes replacement and maintenance costs
- ENERGY STAR Compliant

Technical Specifications

<p>Performance</p> <p>Product Type: A-Line</p> <p>Input Wattage: 12W</p> <p>Wattage Equivalency: 75W Incandescent</p> <p>Lumens (Nominal): 1100lm</p> <p>Efficacy: 92 lm/W</p> <p>L70 Lifespan: 15,000 Hours</p>	<p>Construction</p> <p>Bulb Shape: A19</p> <p>Base Type: E26</p> <p>For Use Outdoors in Open Fixtures: No</p> <p>LED Characteristics</p> <p>Color Temperature: 5000K Daylight</p> <p>Color Accuracy (CRI): 80 CRI</p> <p>Electrical</p> <p>Power Factor: >0.7</p>	<p>Operating Temperature: -25°C - 40°C</p> <p>Dimmable: No</p> <p>Input Voltage: 120V</p> <p>Operating Frequency: 60 Hz</p> <p>Optical</p> <p>Beam Angle: 230°</p>
---	---	--

Technical Specifications (continued)

Other

Warranty:

RAB warrants that our LED products will be free from defects in materials and workmanship for a period of three (3) years from the date of delivery to the end user, including coverage of light output, color stability, driver performance and fixture finish. RAB's warranty is subject to all terms and conditions found at rablighting.com/warranty.

Compliance

UL Listed:

Yes

ENERGY STAR V2.0:

This product is ENERGY STAR® Version 2.0 Certified

Energy Star Model Number:

A10006

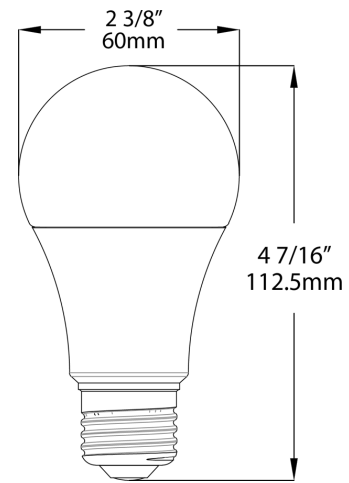
California Energy Commission (CEC) Status:

Not lawful for sale in California

Case and Pallet Dimensions

	QTY	LENGTH (in)	WIDTH (in)	HEIGHT (in)
CASE	12	10	7.6	5.1
PALLET	1440	26.2	41.6	46.9

Dimension



Light Distribution

