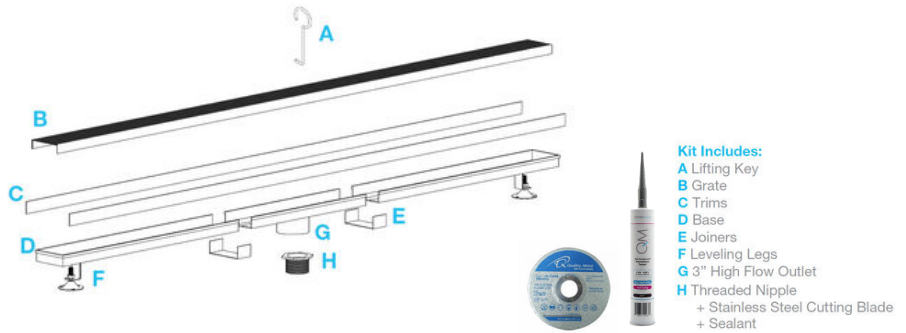


DelmarSeries ADJUSTABLE LINEAR DRAIN 3" HIGH FLOW OUTLET

Adjustable Base | Traditional Waterproofing:

- Stainless Steel Gauges: Wedgewire grate: 8 gauges for Edge Bars and 9 gauges for Inside Bars.
- Base: 18 gauges = 1.2 mm.
- Grate can be removed completely for cleaning.
- Adjustable is intended for use with traditional waterproofing methods.



Specifications

B Grate - Top View

B Grate - Side View

C Trims - Side View

D Base - Side View

Top View

E Joiner - Side & Top View

G 3" Outlet - Side & Top View

Base End Cap - Side View

Corner - Top View

* 96" kit has two 48" grates.
72" kit in black, gold and bronze have two 36" grates.
** 72" and 96" Kits include two outlets, two pair of joiners and two adapters.

Complete Kits

WEDGEWIRE

 Bronze	36" 33.610.36HF BZ ●	 Satin	36" 88.610.36HF ST ●	 Black	36" 88.610.36HF BK ●
	48" 33.610.48HF BZ ●		48" 88.610.48HF ST ●		48" 88.610.48HF BK ●
	60" 33.610.60HF BZ ●		60" 88.610.60HF ST ●		60" 88.610.60HF BK ●
	72" 33.610.72HF BZ ●		72" 88.610.72HF ST ●		72" 88.610.72HF BK ●
	96" 33.610.96HF BZ ●		96" 88.610.96HF ST ●		96" 88.610.96HF BK ●
 Polished	36" 33.610.36HF PS ●	 Gold	36" 88.610.36HF PS ●	36" 33.610.36HF GD ●	
	48" 33.610.48HF PS ●		48" 88.610.48HF PS ●	48" 33.610.48HF GD ●	
	60" 33.610.60HF PS ●		60" 88.610.60HF PS ●	60" 33.610.60HF GD ●	
	72" 33.610.72HF PS ●		72" 88.610.72HF PS ●	72" 33.610.72HF GD ●	
	96" 33.610.96HF PS ●		96" 88.610.96HF PS ●	96" 33.610.96HF GD ●	

Note: Installer must verify all rough-in dimensions prior to installation and consult local and national codes. Conformity and compliance to local and national codes are the responsibility of the installer. Dimensions are subject to manufacturers tolerance and change without notice. We can assume no responsibility for use of superseded or voided data. [Contact us If you have any question at: techsupport@qm-us.com](mailto:techsupport@qm-us.com)