



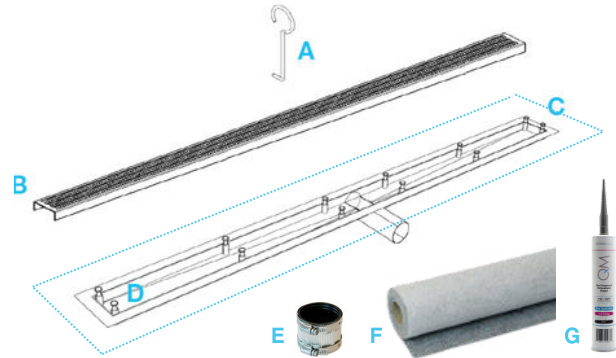
DelmarSeries SIDE OUTLET FLANGE EDGE BASE

Flange Edge Base | Modern Waterproofing:

- Stainless Steel: Grate = 8 gauges for Edge Bars and 9 gauges for Inside Bars. Base = 18 gauges
- Base Designed for modern waterproofing methods.
- Complete kit for seamless installation.
- Enhance protection with Superdry Waterproofing Membrane.
- Grate can be removed completely for cleaning.

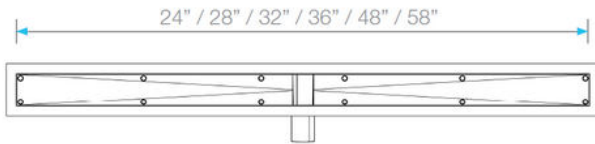
Kit Includes:

- A Lifting Key
- B Grate
- C Flange Edge Base with a sealed waterproofing membrane collar
- D Leveling Legs
- E No-hub Coupling
- F 32 ft2 Superdry Waterproofing
- G Sealant



Specifications

C Base - Top View



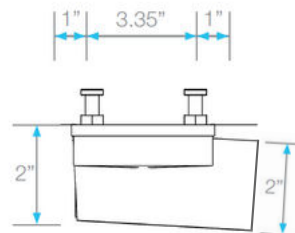
B Grate - Top View



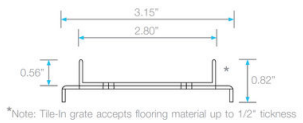
Base - Side View



Base - Side View



Grate - Side View



*Note: Tile-in grate accepts flooring material up to 1/2" thickness

Frameless



*Note: Tile-in grate accepts flooring material up to 1" thickness

Complete Kits

MIST (TILE-IN)



Satin	24"	33.500.24FSO ST
	28"	33.500.28FSO ST
	32"	33.500.32FSO ST
	36"	33.500.36FSO ST
	48"	33.500.48FSO ST
	58"	33.500.58FSO ST

Black	24"	33.500.24FSO BK
	28"	33.500.28FSO BK
	32"	33.500.32FSO BK
	36"	33.500.36FSO BK
	48"	33.500.48FSO BK
	58"	33.500.58FSO BK

Bronze	24"	33.500.24FSO BZ
	28"	33.500.28FSO BZ
	32"	33.500.32FSO BZ
	36"	33.500.36FSO BZ
	48"	33.500.48FSO BZ
	58"	33.500.58FSO BZ

Frameless	24"	33.500.24FSO
	28"	33.500.28FSO
	32"	33.500.32FSO
	36"	33.500.36FSO
	48"	33.500.48FSO
	58"	33.500.58FSO

Gold	24"	33.500.24FSO GD
	28"	33.500.28FSO GD
	32"	33.500.32FSO GD
	36"	33.500.36FSO GD
	48"	33.500.48FSO GD
	58"	33.500.58FSO GD

Note: Installer must verify all rough-in dimensions prior to installation and consult local and national codes. Conformity and compliance to local and national codes are the responsibility of the installer. Dimensions are subject to manufacturers tolerance and change without notice. We can assume no responsibility for use of superseded or voided data. [Contact us if you have any question at: techsupport@qm-us.com](mailto:techsupport@qm-us.com)