



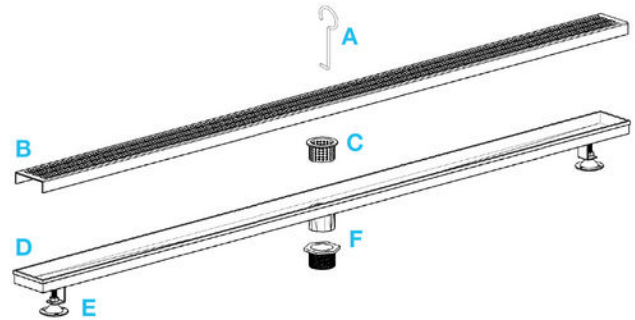
DelmarSeries PLAIN EDGE BASE

Standard Base | Traditional Waterproofing:

- Stainless Steel Gauges: Wedgewire grate: 8 gauges for Edge Bars and 9 gauges for Inside Bars. Base: 18 gauges = 1.2 mm
- Grate can be removed completely for cleaning.
- Works with 2" ABS, PVC or cast iron shower drain flange (not included)
- Standard Length plain edge is intended for use with traditional waterproofing methods.
- Grate can be removed completely for cleaning.
- Hair strainer basket comes with every drain, fits inside the drain to collect hair and other debris, preventing clogged pipes.

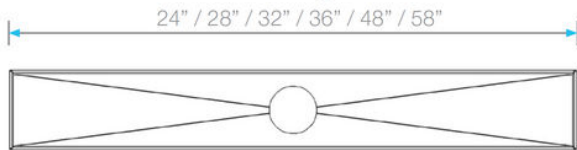
Kit Includes:

- A Lifting Key
- B Grate
- C Hair/Debris Strainer
- D Base
- E Leveling Legs
- F Threaded nipple

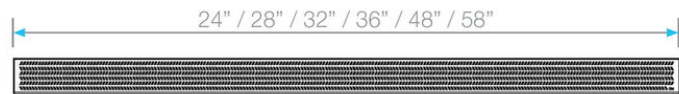


Specifications

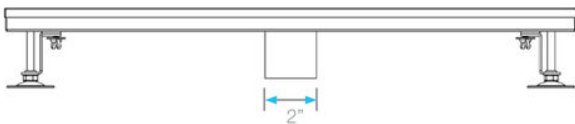
D Base - Top View



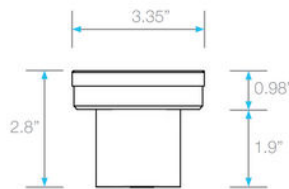
B Grate - Top View



D Base - Side View



D Base - Side View



Grate - Side View



Complete Kits

WEDGEWIRE



Bronze	24"	33.700.24 BZ	●
	28"	33.700.28 BZ	●
	32"	33.700.32 BZ	●
	36"	33.700.36 BZ	●
	48"	33.700.48 BZ	●
	58"	33.700.58 BZ	●

Satin	24"	33.700.24 ST	●
	28"	33.700.28 ST	●
	32"	33.700.32 ST	●
	36"	33.700.36 ST	●
	48"	33.700.48 ST	●
	58"	33.700.58 ST	●

Polished	24"	33.700.24 PS	●
	28"	33.700.28 PS	●
	32"	33.700.32 PS	●
	36"	33.700.36 PS	●
	48"	33.700.48 PS	●
	58"	33.700.58 PS	●

Black	24"	33.700.24 BK	●
	28"	33.700.28 BK	●
	32"	33.700.32 BK	●
	36"	33.700.36 BK	●
	48"	33.700.48 BK	●
	58"	33.700.58 BK	●

Gold	24"	33.700.24 GD	●
	28"	33.700.28 GD	●
	32"	33.700.32 GD	●
	36"	33.700.36 GD	●
	48"	33.700.48 GD	●
	58"	33.700.58 GD	●

Note: Installer must verify all rough-in dimensions prior to installation and consult local and national codes. Conformity and compliance to local and national codes are the responsibility of the installer. Dimensions are subject to manufacturers tolerance and change without notice. We can assume no responsibility for use of superseded or voided data. [Contact us if you have any question at: techsupport@qm-us.com](mailto:techsupport@qm-us.com)