

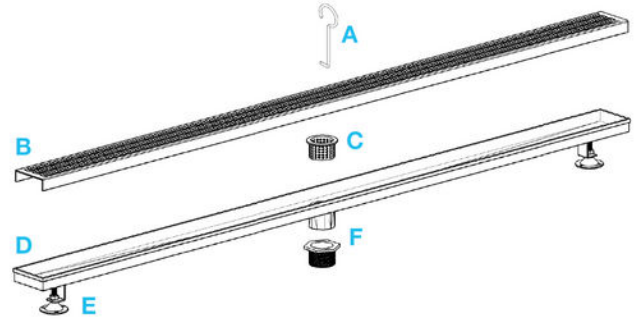
DelmarSeries PLAIN EDGE BASE

Standard Base | Traditional Waterproofing:

- Stainless Steel Gauges: Grates: 16 gauges. Base: 18 gauges = 1.2 mm
- Grate can be removed completely for cleaning.
- Works with 2" ABS, PVC or cast iron shower drain flange (not included)
- Standard Length plain edge is intended for use with traditional waterproofing methods.
- Grate can be removed completely for cleaning.
- Hair strainer basket comes with every drain, fits inside the drain to collect hair and other debris, preventing clogged pipes.

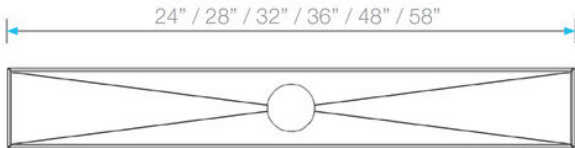
Kit Includes:

- A Lifting Key
- B Grate
- C Hair/Debris Strainer
- D Base
- E Leveling Legs
- F Threaded nipple

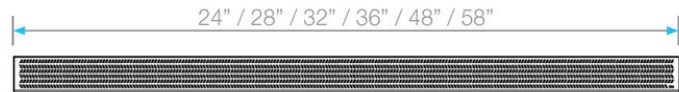


Specifications

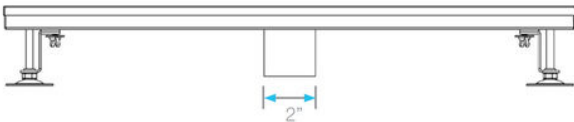
D Base - Top View



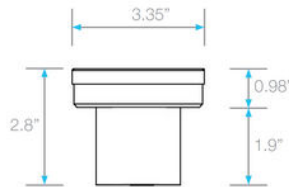
B Grate - Top View



D Base - Side View



D Base - Side View

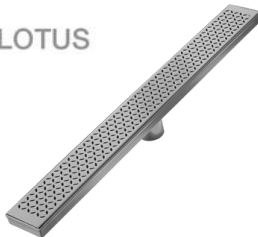


Grate - Side View



Complete Kits

LOTUS



| | | | |
|--------|-----|--------------|---|
| Bronze | 24" | 33.400.24 BZ | ● |
| | 28" | 33.400.28 BZ | ● |
| | 32" | 33.400.32 BZ | ● |
| | 36" | 33.400.36 BZ | ● |
| | 48" | 33.400.48 BZ | ● |
| | 58" | 33.400.58 BZ | ● |

| | | | |
|-------|-----|--------------|---|
| Satin | 24" | 33.400.24 ST | ● |
| | 28" | 33.400.28 ST | ● |
| | 32" | 33.400.32 ST | ● |
| | 36" | 33.400.36 ST | ● |
| | 48" | 33.400.48 ST | ● |
| | 58" | 33.400.58 ST | ● |

| | | | |
|----------|-----|--------------|---|
| Polished | 24" | 33.400.24 PS | ● |
| | 28" | 33.400.28 PS | ● |
| | 32" | 33.400.32 PS | ● |
| | 36" | 33.400.36 PS | ● |
| | 48" | 33.400.48 PS | ● |
| | 58" | 33.400.58 PS | ● |

| | | | |
|-------|-----|--------------|---|
| Black | 24" | 33.400.24 BK | ● |
| | 28" | 33.400.28 BK | ● |
| | 32" | 33.400.32 BK | ● |
| | 36" | 33.400.36 BK | ● |
| | 48" | 33.400.48 BK | ● |
| | 58" | 33.400.58 BK | ● |

| | | | |
|------|-----|--------------|---|
| Gold | 24" | 33.400.24 GD | ● |
| | 28" | 33.400.28 GD | ● |
| | 32" | 33.400.32 GD | ● |
| | 36" | 33.400.36 GD | ● |
| | 48" | 33.400.48 GD | ● |
| | 58" | 33.400.58 GD | ● |