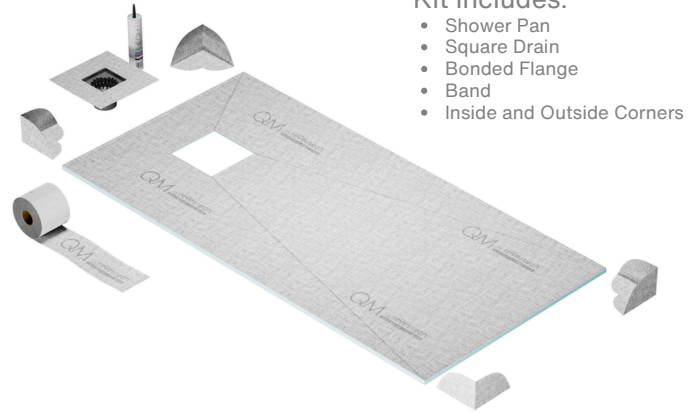


PREFAB Shower Floor Kit Off-Center 32"

QM PREFAB SHOWER FLOOR | Shower pan:

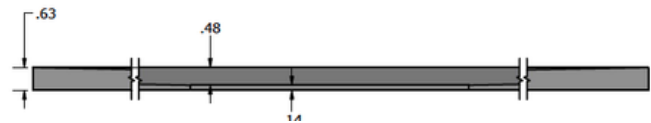
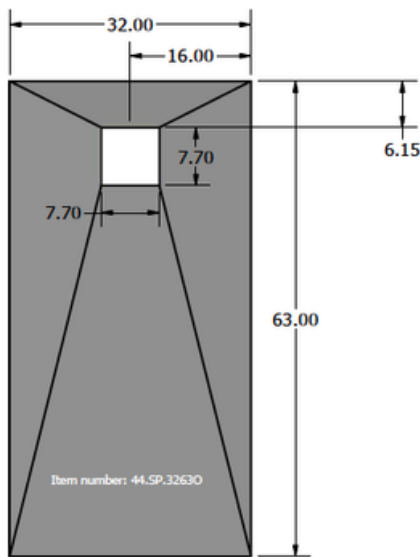
- 100% Post-Consumer Recycled PET with a recyclable Superdry membrane.
- Pre-Sealed Superdry Waterproofing
- Pre Sloped
- 140 psi compressive strength,.
- Easily trim or expand with dry-pack mortar.
- UV resistant and built to withstand indoor and outdoor use.



Kit includes:

- Shower Pan
- Square Drain
- Bonded Flange
- Band
- Inside and Outside Corners

Shower Pan Specifications



Drain: Delmar Mist (tile-in) 4"



SPO.33.500.04 BK ●
SPO.33.500.04 BZ ●
SPO.33.500.04 GD ●
SPO.33.500.04 ST ●

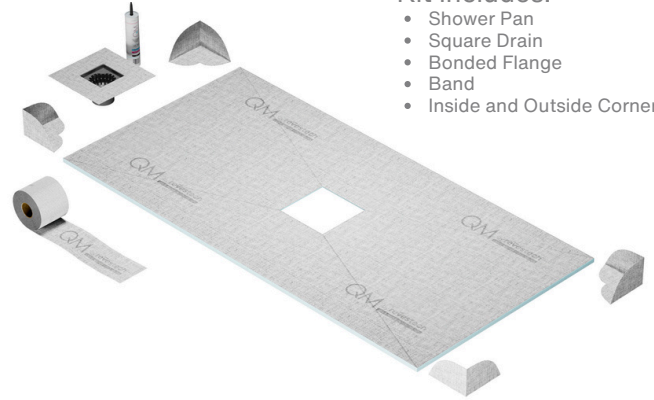


Note: Installer must verify all rough-in dimensions prior to installation and consult local and national codes. Conformity and compliance to local and national codes are the responsibility of the installer. Dimensions are subject to manufacturers tolerance and change without notice. We can assume no responsibility for use of superseded or voided data. [Contact us if you have any question at: info@qm-us.com](mailto:info@qm-us.com)

PREFAB Shower Floor Kit Center 32"

QM PREFAB SHOWER FLOOR | Shower pan:

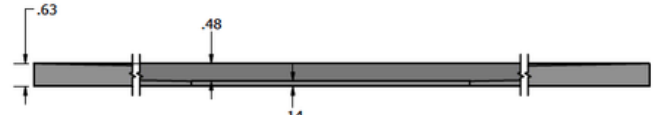
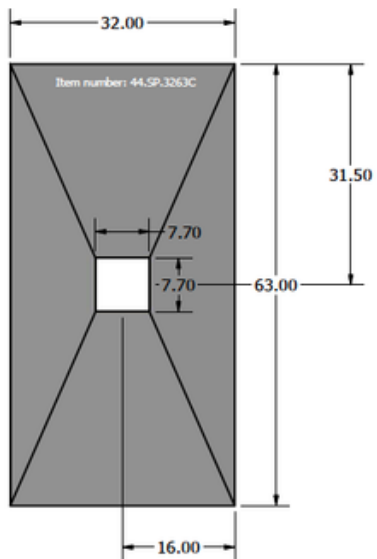
- 100% Post-Consumer Recycled PET with a recyclable Superdry membrane.
- Pre-Sealed Superdry Waterproofing
- Pre Sloped
- 140 psi compressive strength,.
- Easily trim or expand with dry-pack mortar.
- UV resistant and built to withstand indoor and outdoor use.



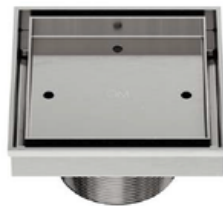
Kit includes:

- Shower Pan
- Square Drain
- Bonded Flange
- Band
- Inside and Outside Corners

Shower Pan Specifications



Drain: Delmar Mist (tile-in) 4"



- SPC.33.500.04 BK
- SPC.33.500.04 BZ
- SPC.33.500.04 GD
- SPC.33.500.04 ST



Note: Installer must verify all rough-in dimensions prior to installation and consult local and national codes. Conformity and compliance to local and national codes are the responsibility of the installer. Dimensions are subject to manufacturer's tolerance and change without notice. We can assume no responsibility for use of superseded or voided data. [Contact us if you have any question at: info@qm-us.com](mailto:info@qm-us.com)