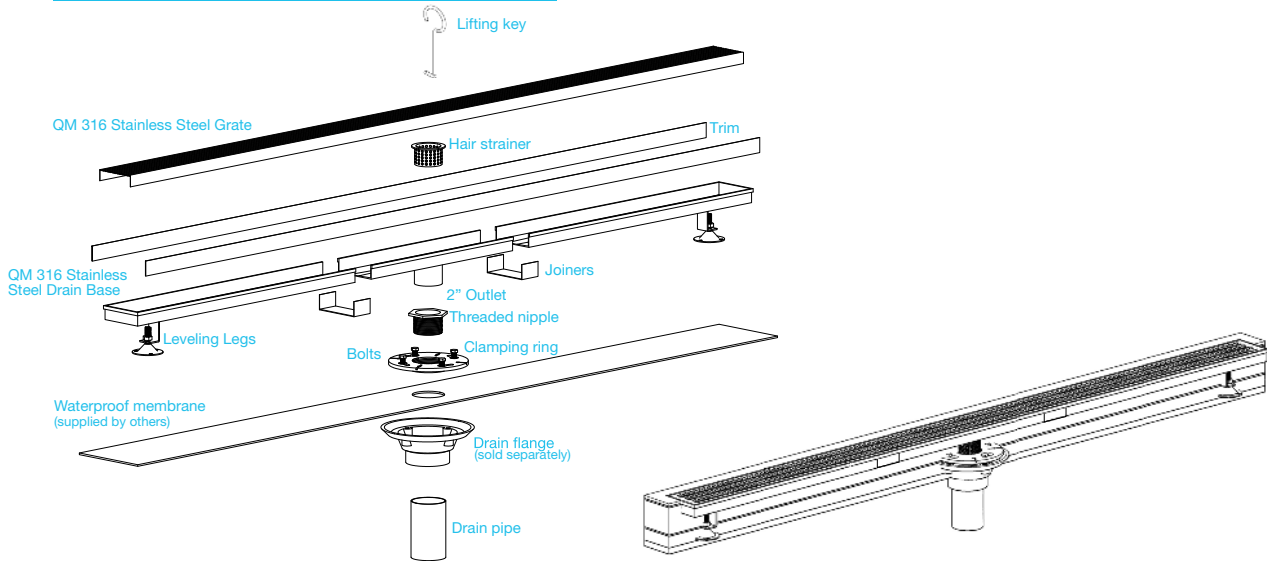


**Delmar Linear Drain Adjustable 2" Outlet**

**Installation**

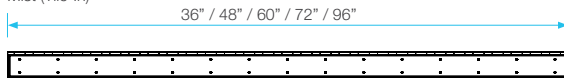


**Specifications**

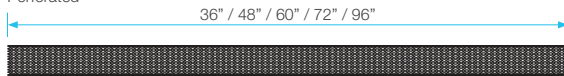
**Drain Grate - Top View:**  
Wedge wire



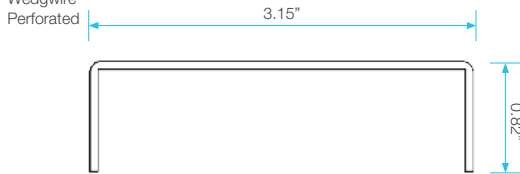
**Drain Grate - Top View:**  
Mist (Tile-In)



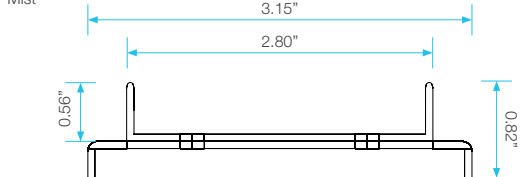
**Drain Grate - Top View:**  
Perforated



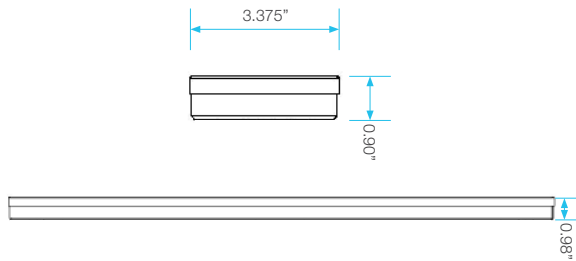
**Drain Grate - Side View:**  
Wedge wire



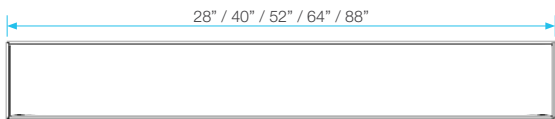
**Drain Grate - Side View:**  
Mist



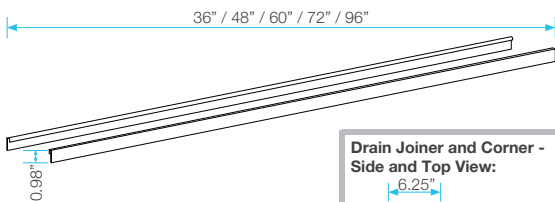
**Drain Base - Side View:**



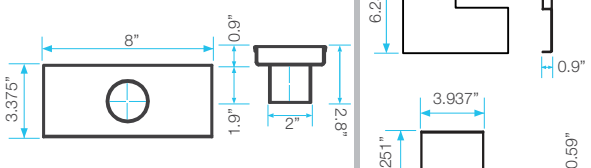
**Drain Base - Top View:**



**Drain Trim - Side View:**



**Drain 2" Outlet - Side and Top View:**



**Note:** Installer must verify all rough-in dimensions prior to installation and consult local and national codes. Conformity and compliance to local and national codes are the responsibility of the installer. Dimensions are subject to Manufacturers tolerance and change without notice. We can assume no responsibility for use of superseded or void data.




**Delmar Linear Drain Adjustable 2" Outlet**
**Delmar Series Features**

- 16 gauge 316 Stainless Steel Grate = 1.5 mm
- 18 gauge 316 Stainless Steel Base = 1.2 mm
- Works with 2" ABS, PVC or Cast Iron shower drain flange (not included)
- Grate can be removed completely for cleaning
- Hair Strainer Basket comes with every drain, fits inside the drain to collect hair and other debris, preventing pipe clogs
- Standard Finish: Satin and Polished
- Delmar Series is intended for use with traditional waterproofing methods

**Kit includes**

- Grate
  - Base
  - Trim
  - Joiner
  - Outlet
  - Threaded nipple
  - Hair Strainer
  - Lifting Key
  - Leveling Legs
  - Sikaflex Sealant
- \* **Note:** 72" and \*96" Kit includes two outlets, two hair strainers, two pair of joiners and two adapters.  
 \* 96" Wedgewire Kit has two 48" grates.  
 \* Choose the kit with equal or greater size than the length wanted; for longer lengths drain connect kits to build the desire length.

**Adjustable Complete Kit**

SKU	Size	SKU	
		Satin Finish	Polished Finish
<b>Wedgewire</b>			
	36"	33.610.36P	33.610.36P
	48"	33.610.48P	33.610.48P
	60"	33.610.60P	33.610.60P
	72"	33.610.72P	33.610.72P
	96"	33.610.96P	33.610.96P
<b>Perforated</b>			
	36"	33.620.36P	33.620.36P
	48"	33.620.48P	33.620.48P
	60"	33.620.60P	33.620.60P
	72"	33.620.72P	33.620.72P
	96"	33.620.96P	33.620.96P
<b>Mist (Tile-In)</b>			
	36"	33.630.36P	33.630.36P
	48"	33.630.48P	33.630.48P
	60"	33.630.60P	33.630.60P
	72"	33.630.72P	33.630.72P
	96"	33.630.96P	33.630.96P



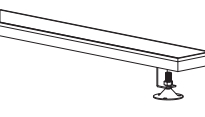
**Adjustable Grate Only**

SKU	Size	SKU	
		Satin Finish	Polished Finish
<b>Wedgewire (Grate Only)</b>			
	36"	33.G610.36P	33.G610.36P
	48"	33.G610.48P	33.G610.48P
	60"	33.G610.60P	33.G610.60P
	72"	33.G610.72P	33.G610.72P
<b>Perforated (Grate Only)</b>			
	36"	33.G620.36P	33.G620.36P
	48"	33.G620.48P	33.G620.48P
	60"	33.G620.60P	33.G620.60P
	72"	33.G620.72P	33.G620.72P
	96"	33.G620.96P	33.G620.96P
<b>Mist (Tile-In. Grate Only)</b>			
	36"	33.G630.36P	33.G630.36P
	48"	33.G630.48P	33.G630.48P
	60"	33.G630.60P	33.G630.60P
	72"	33.G630.72P	33.G630.72P
	96"	33.G630.96P	33.G630.96P

**Adjustable Base Kit:**

SKU	Size
<b>Kit (without grate)</b>	
	36"
	48"
	60"
	72"
	96"

**Adjustable Parts:**

	<b>Accessories Kit [2" Outlet]</b>	33.601.A
	<b>Corner Connector Kit</b>	33.601.C
	<b>Base (Only)</b>	
	33.600.28	28"
	33.600.40	40"
	33.600.52	52"
	33.600.64	64"
	33.600.88	88"

**Add to Kit**

- Drain Flange:
- PVC SKU: 83.100.00 PVC
  - ABS SKU: 83.100.00 ABS
  - Cast Iron No hub: 83.100.01
  - Cast Iron FIP: 83.100.01F

