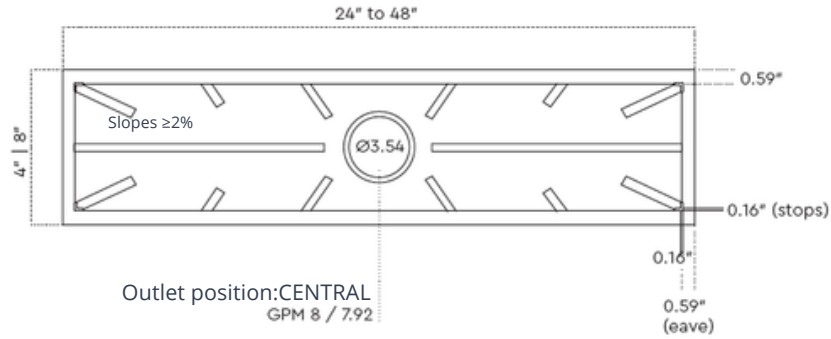
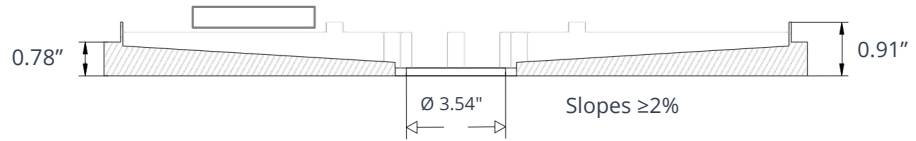


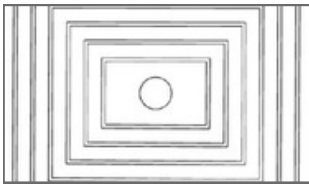
INVISIBLE Linear Drain



Slope Section View



Bottom View



It has dovetail-shaped grooves to improve the thin-set tile adhesive anchoring.

Material:
High-performance
Polyurethane coated with
Polyurea with a compressive
strength of 290 psi

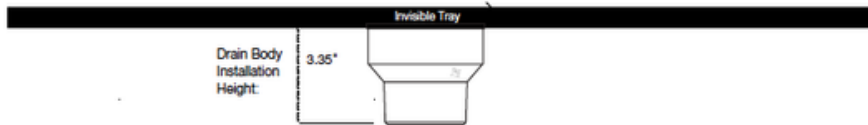
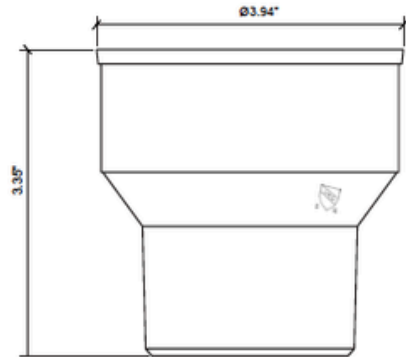
Size:	SKU:	L	W	H
24"x 4"	55.100.04.24 VO	25.11"	5.43"	0.78"
28"x 4"	55.100.04.28 VO	27.56"	5.43"	0.78"
32"x 4"	55.100.04.32 VO	32.99"	5.43"	0.78"
36"x 4"	55.100.04.36 VO	36.93"	5.43"	0.78"
40"x 4"	55.100.04.40 VO	40.87"	5.43"	0.78"
44"x 4"	55.100.04.44 VO	44.80"	5.43"	0.78"
48"x 4"	55.100.04.48 VO	48.74"	5.43"	0.78"
24"x 8"	55.100.08.24 VO	25.11"	7.87"	0.78"
28"x 8"	55.100.08.28 VO	27.56"	7.87"	0.78"
32"x 8"	55.100.08.32 VO	32.99"	7.87"	0.78"
36"x 8"	55.100.08.36 VO	36.93"	7.87"	0.78"
40"x 8"	55.100.08.40 VO	40.87"	7.87"	0.78"
44"x 8"	55.100.08.44 VO	44.80"	7.87"	0.78"
48"x 8"	55.100.08.48 VO	48.74"	7.87"	0.78"

INVISIBLE Linear Drain

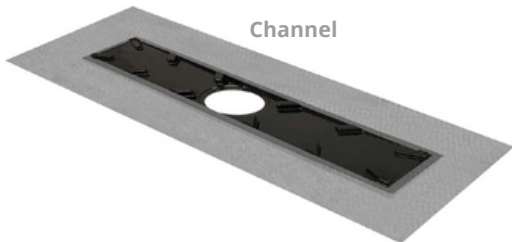
Material: PVC Plastic



LATERAL VIEW



INVISIBLE Linear Drain Kit:



Superdry mebrane
32 ft2 = 3mt2 (1.5m x 2m)

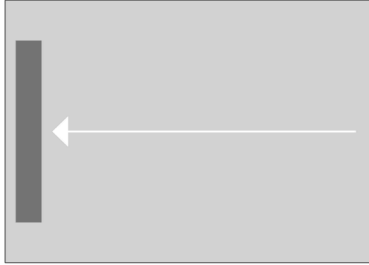


INVISIBLE Linear Drain

Installation Guidelines | SLOPE

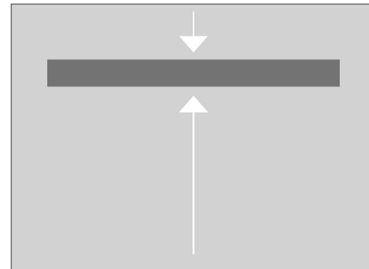
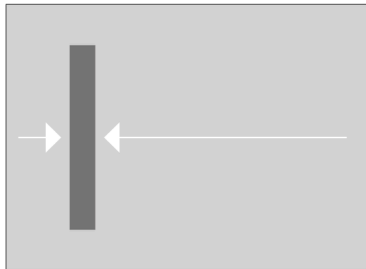
Single Slope

Pitch at a 1/4" per foot slope in direction towards the shower base



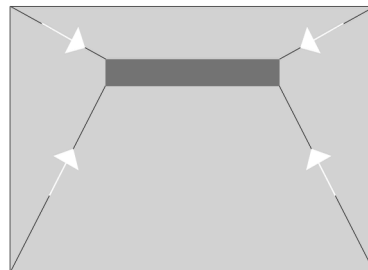
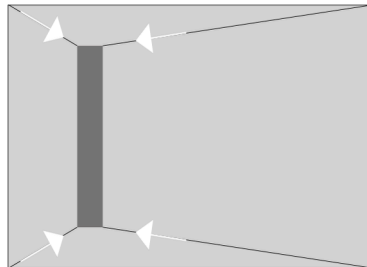
Double Slope

Pitch at a 1/4" per foot slope in two direction towards the shower base



Four Slope

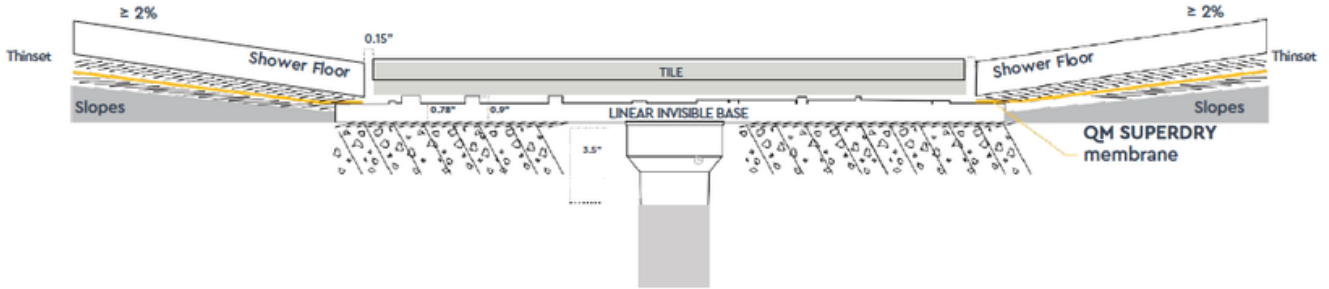
Pitch at a 1/4" per foot slope in four directions towards the shower base.



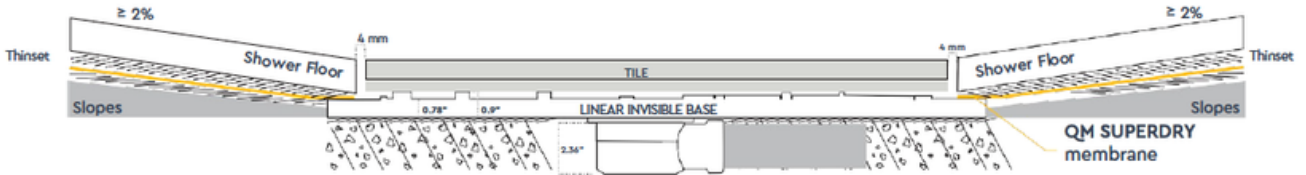
INVISIBLE Linear Drain

Installation Guidelines | Diagram

Vertical Outlet Connection



Side Outlet Connection (optional-sold separately)



IMPORTANT: Installer must verify all rough-in dimensions prior to installation and consult local and national codes. Conformity and compliance to local and national codes are the responsibility of the installer. Dimensions are subject to Manufacturers tolerance and change without notice. We can assume no responsibility for use of superseded or void data.