




# DelmarSeries SIDE OUTLET FLANGE EDGE BASE

## Side Outlet | Modern Waterproofing:

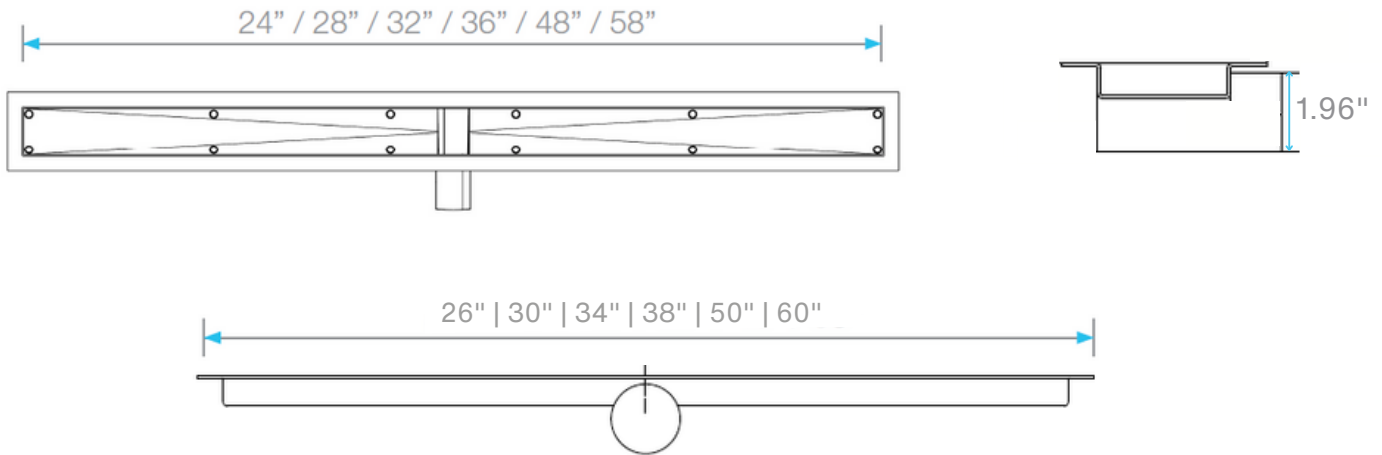
- Stainless Steel: Wedgewire grate: 8 gauges for Edge Bars and 9 gauges for Inside Bars. Base: 18 ga. = 1.2 mm
- Base Designed for modern waterproofing methods.
- Complete kit for seamless installation.
- Enhance protection with Superdry Waterproofing Membrane.
- Grate can be removed completely for cleaning.
- Double Waterproofing (Optional): Use a threaded nipple to combine traditional and modern waterproofing.

**Kit Includes:**

- A Lifting Key 
- B Grate
- C Flange Edge Base with a sealed waterproofing membrane collar
- D Leveling Legs
- E No-hub Coupling
- F 32 ft2 Superdry Waterproofing

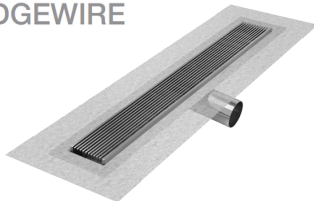


## Specifications



## Complete Kits

### WEDGEWIRE



Bronze	24"	33.700.24FSO BZ	●
	28"	33.700.28FSO BZ	●
	32"	33.700.32FSO BZ	●
	36"	33.700.36FSO BZ	●
	48"	33.700.48FSO BZ	●
	58"	33.700.58FSO BZ	●

Satin	24"	33.700.24FSO ST	●
	28"	33.700.28FSO ST	●
	32"	33.700.32FSO ST	●
	36"	33.700.36FSO ST	●
	48"	33.700.48FSO ST	●
	58"	33.700.58FSO ST	●

Polished	24"	33.700.24FSO PS	●
	28"	33.700.28FSO PS	●
	32"	33.700.32FSO PS	●
	36"	33.700.36FSO PS	●
	48"	33.700.48FSO PS	●
	58"	33.700.58FSO PS	●

Black	24"	33.700.24FSO BK	●
	28"	33.700.28FSO BK	●
	32"	33.700.32FSO BK	●
	36"	33.700.36FSO BK	●
	48"	33.700.48FSO BK	●
	58"	33.700.58FSO BK	●

Gold	24"	33.700.24FSO GD	●
	28"	33.700.28FSO GD	●
	32"	33.700.32FSO GD	●
	36"	33.700.36FSO GD	●
	48"	33.700.48FSO GD	●
	58"	33.700.58FSO GD	●

Note: Installer must verify all rough-in dimensions prior to installation and consult local and national codes. Conformity and compliance to local and national codes are the responsibility of the installer. Dimensions are subject to manufacturer's tolerance and change without notice. We can assume no responsibility for use of superseded or voided data. [Contact us if you have any question at: info@qm-us.com](mailto:info@qm-us.com)