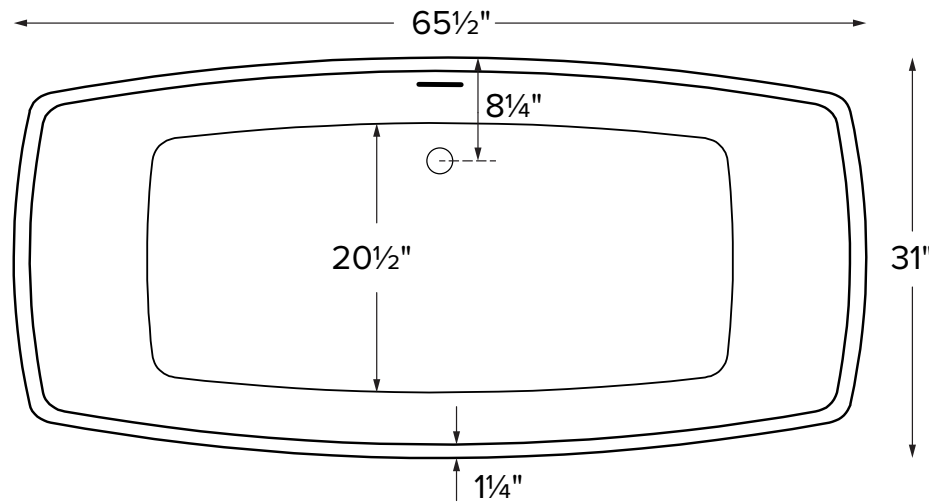




acquabella®

Marcel

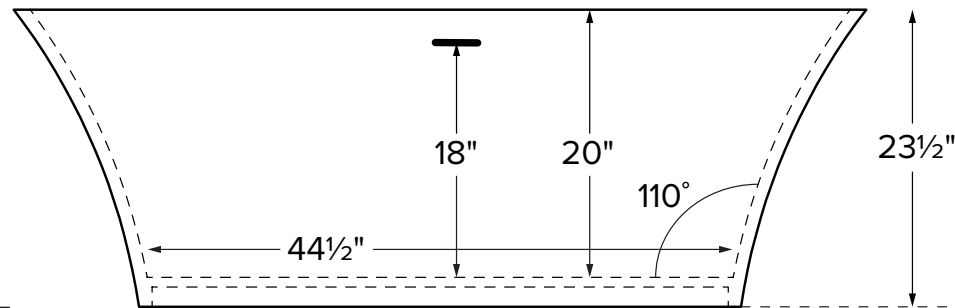
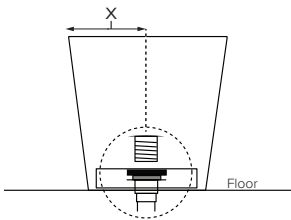
MODEL 402
65.5" x 31" x 22.5" / 23.5"
FREESTANDING 80 gal to overflow
<b>Mineral Composite</b>
159 lbs / 72 kg soaker
Filling this tub to the maximum may require an above average size or dedicated water heater.



**IMPORTANT**  
Air bath is 1" taller than soaker

Drain Rough-In Measurement

<b>X</b>
8 1/4"



ELECTRICAL COMPONENTS & SPECIFICATIONS		
Required Electrical Service - 110 Volt		
Hydrotherapy Package	Components Included	GFCI
Air Massage	heated blower	1-15 amp
Electrical requirements may change with the addition of optional therapy components. See specific option details or installation information. CSA Certified C/US; B45.5/IAPMO ANSI Z124.1 and ANSI 112.19.7		

**ORDERING AND INSTALLATION**

- Before ordering or installing, please consider future access to equipment.
- Integrated overflow with toe tap drain included.
- Air baths require job site preparations for remote mounting the blower and required check valve. Check valve must be installed higher than the rim of the tub.
- Waterproof remote control included. Keypad is shipped loose and may be mounted nearby.
- Faucet valves cannot be installed on this tub model.

See the Installation & Operation Manual for more details.  
 MTI's Customer Service: Monday-Friday 8am-6pm EST  
 800-783-8827 or service@mtibaths.com

- Before discarding tub packaging, check for accessories that may be packaged inside.
- All product measurements are ±1/2".
- Specifications and configurations are subject to change without notice.
- Measurements herein supersede all others published prior to publication date below.

CSA # MMCT- 402

©2024 by MTI Baths, Inc. Modification Rights Reserved



For more information on options and accessories go to [Cosmopolitan Mineral Composite Tubs Options on mtibaths.com](https://www.mtibaths.com)

- Blower & required check valve for airbath must be remote mounted
- Check valve must be installed higher than the rim of the tub.

Hydrotherapy	Package Contents	Finish/Color	Part #	MSRP
<b>Soaker</b>	Soaking bath - no jets. Includes an integrated slotted overflow with white toe-tap drain kit. See Options below for Exterior Color/Finish codes.	Gloss White	<b>S402</b>	<b>\$6,800</b>
		Exterior Matte White	<b>S402M</b>	<b>\$7,400</b>
		Exterior Matte Color	<b>S402XXX*</b>	<b>\$7,850</b>
<b>Air Bath</b>	20 air jets, heated air blower, keypad, waterproof remote control, integrated slotted overflow with white toe-tap drain kit. See Options below for Exterior Color/Finish codes.	Gloss White	<b>AST402</b>	<b>\$11,130</b>
		Exterior Matte White	<b>AST402M</b>	<b>\$11,730</b>
		Exterior Matte Color	<b>AST402XXX*</b>	<b>\$12,180</b>

Options <small>Must be ordered at time of purchase</small>
<b>Exterior Color/Finish</b> Gray, matte finish only (MGY)      Sand, matte finish (MSD) Black, matte finish only (MBK)      Charcoal, matte finish (MCH)
<b>Recommended Drain Kits</b> Westbrass D98LTBPA-XX (included with tub) OS&B 500 Series Mountain Plumbing BDWOF-ST

Accessories
<b>Drain Kit Accessories</b> Brass Tailpiece (WIOBS) <b>\$90</b> (not compatible with OS&B 500Q) Quick Drain Kit (WOQ) <b>\$485</b>
<b>Pillows from \$190</b>
<b>Teak Bath Mat (TKMAT3018) \$840</b> <small>Custom sizes also available. Contact MTI for details and pricing.</small>

\* Replace "XXX" with color code in Options section



Inside view of tub