

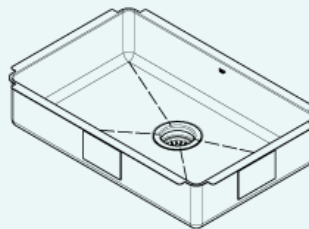
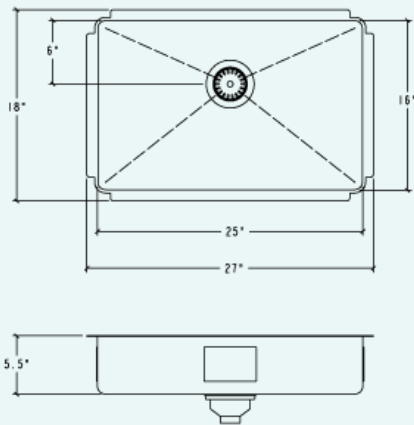
IH75-US-27186

Prolnox H75

Stainless steel kitchen sink

Handcrafted

Contemporary style corners [0,75"]



Installation

Undermount

Bowl

25" × 16" × 5.5"

Overall

27" × 18" × 5.5"

Recommended cabinet

30"

Drain

Ø 3 1/2"

Packaging

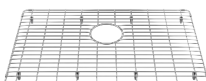
28" × 21 1/2" × 13"

24 lbs

Features

- 304 brushed finish stainless steel (18/10) – 18 gauge
- Sound deadening pads for maximum noise reduction
- Drain located towards rear providing more space under the sink
- Stainless steel strainer (AA-SA-3.5-SA) and mounting hardware included
- Product certified ASME A112.19.3, CSA B45.0, and CSA B45.4
- ADA COMPLIANT: Product is ADA compliant when installed according to standard. Shallow depth accommodates knee space and improves reach. Offset drains offer more usable space while meeting ADA requirement.

Must-have accessories



Grid
IH-G-2516



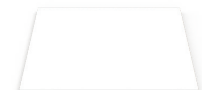
Colander
IH-CA-16



Bin
IH-BI-16



Wood cutting board
IH-BA-16-MA



Plastic cutting board
IH-BB-16-WH