

IH75-TS-14208

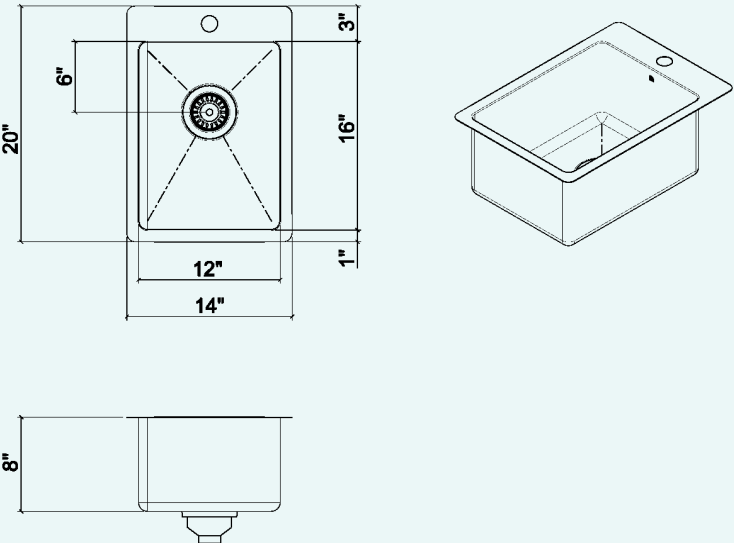
Prolnox H75

Stainless steel kitchen sink

Handcrafted

Contemporary style corners [0,75"]



	Installation Topmount
	Bowl 12" x 16" x 8"
	Overall 14" x 20" x 8"
	Recommended cabinet 18"
	Drain Ø 3 1/2"
	Packaging 23" x 14 3/8" x 17 1/2" 15 lbs

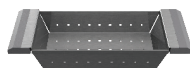
Features

- 304 brushed finish stainless steel (18/10) – 18 gauge
- Single faucet hole (additional holes can be drilled at no charge)
- Sound deadening pads for maximum noise reduction
- Drain located towards rear providing more space under the sink
- Stainless steel strainer (AA-SA-3.5-SA) and mounting hardware included
- Product certified ASME A112.19.3, CSA B45.0, and CSA B45.4

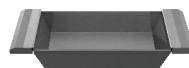
Must-have accessories



Grid
IH-G-1216



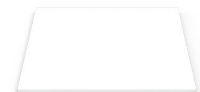
Colander
IH-CA-16



Bin
IH-BI-16



Wood cutting board
IH-BA-16-MA



Plastic cutting board
IH-BB-16-WH