

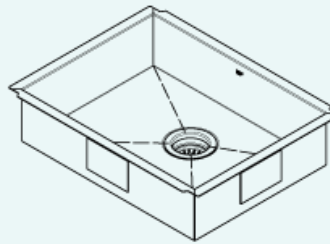
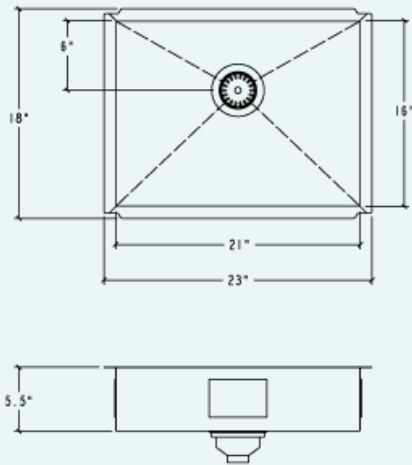
# IH0-US-23186

ProInox H0

## Stainless steel kitchen sink

### Handcrafted

Urban style corners [0"]



#### Installation

Undermount

#### Bowl

21" × 16" × 5.5"

#### Overall

23" × 18" × 5.5"

#### Recommended cabinet

27"

#### Drain

Ø 3 1/2"

#### Packaging

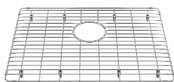
24" × 21 1/2" × 13"

23 lbs

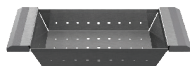
## Features

- 304 brushed finish stainless steel (18/10) – 18 gauge
- Sound deadening pads for maximum noise reduction
- Drain located towards rear providing more space under the sink
- Stainless steel strainer (AA-SA-3.5-SA) and mounting hardware included
- Product certified ASME A112.19.3, CSA B45.0, and CSA B45.4
- ADA COMPLIANT: Product is ADA compliant when installed according to standard. Shallow depth accommodates knee space and improves reach. Offset drains offer more usable space while meeting ADA requirement.

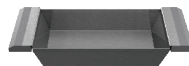
## Must-have accessories



Grid  
IH-G-2116



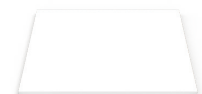
Colander  
IH-CA-16



Bin  
IH-BI-16



Wood cutting board  
IH-BA-16-MA



Plastic cutting board  
IH-BB-16-WH