

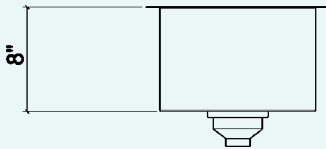
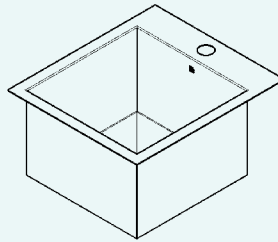
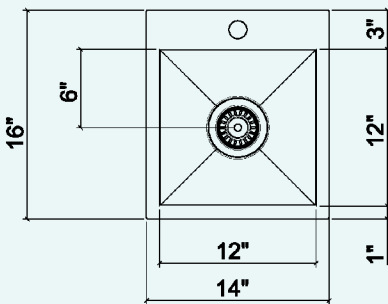
IH0-TS-14168

ProInox H0

Stainless steel kitchen sink

Handcrafted

Urban style corners [0"]



Installation

Topmount

Bowl

12" x 12" x 8"

Overall

14" x 16" x 8"

Recommended cabinet

18"

Drain

Ø 3 1/2"

Packaging

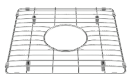
19" x 14 3/8" x 17 1/2"

15 lbs

Features

- 304 brushed finish stainless steel (18/10) – 18 gauge
- Single faucet hole (additional holes can be drilled at no charge)
- Sound deadening pads for maximum noise reduction
- Stainless steel strainer (AA-SA-3.5-SA) and mounting hardware included
- Product certified ASME A112.19.3, CSA B45.0, and CSA B45.4

Must-have accessories



Grid
IH-G-1212