

Specifications

- Single Control
- 3-Hole Installation
- Stainless Steel Ball Valve

Features

- 1.8 GPM Flow Rate
- 3-Hole Installation
- Stainless Steel Ball Valve
- 1.5 GPM Flow Rate with Insert 941-372, Order Separately
- Pforever Warranty®

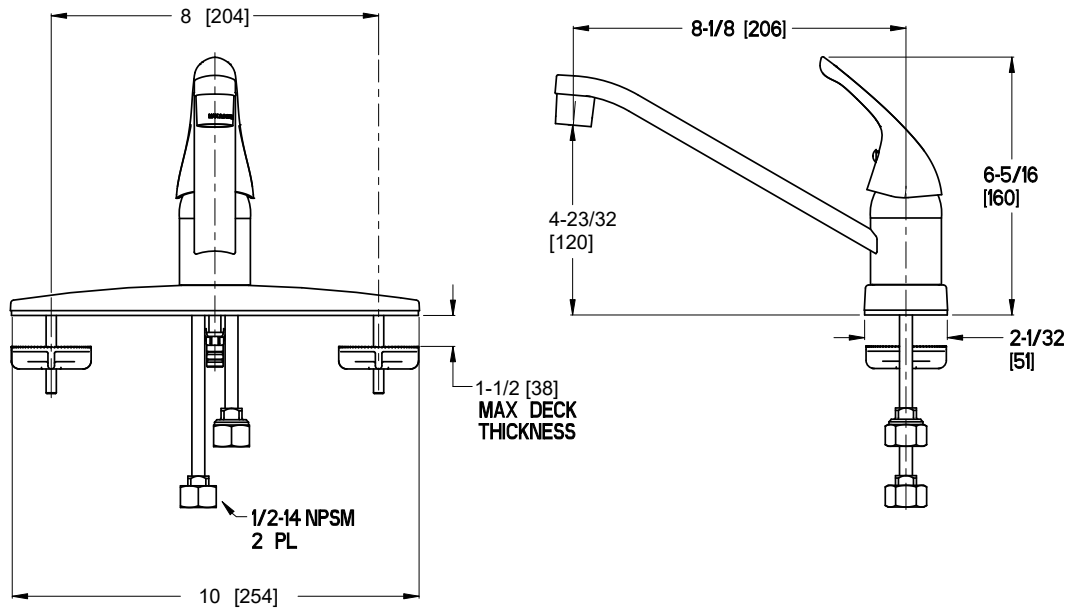
Code Compliance

Pfister products are designed and manufactured in compliance with the following standards and codes:

- IAPMO Certified
- CSA B125 Certified
- ASME A112.18.1
- NSF 61/9 Annex G (Low lead)
- CEC Compliant
- Cal Green Compliant
- ADA Compliant-ANSI A117.1 (Lever handles only)



Dimensions



Ø1-3/8 Min to Ø1-1/2 Max. Deck Hole Openings