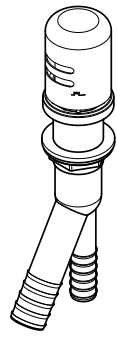


## Air Gap

- |  |  |
|--|--|
| KAG-KIBB Finish(BB) <input type="checkbox"/> | KAG-KISL Finish(SL) <input type="checkbox"/> |
| KAG-KICC Finish(CC) <input type="checkbox"/> | KAG-KISS Finish(SS) <input type="checkbox"/> |
| KAG-KIKK Finish(KK) <input type="checkbox"/> | KAG-KIUU Finish(UU) <input type="checkbox"/> |
|  | KAG-KIYY Finish(YY) <input type="checkbox"/> |



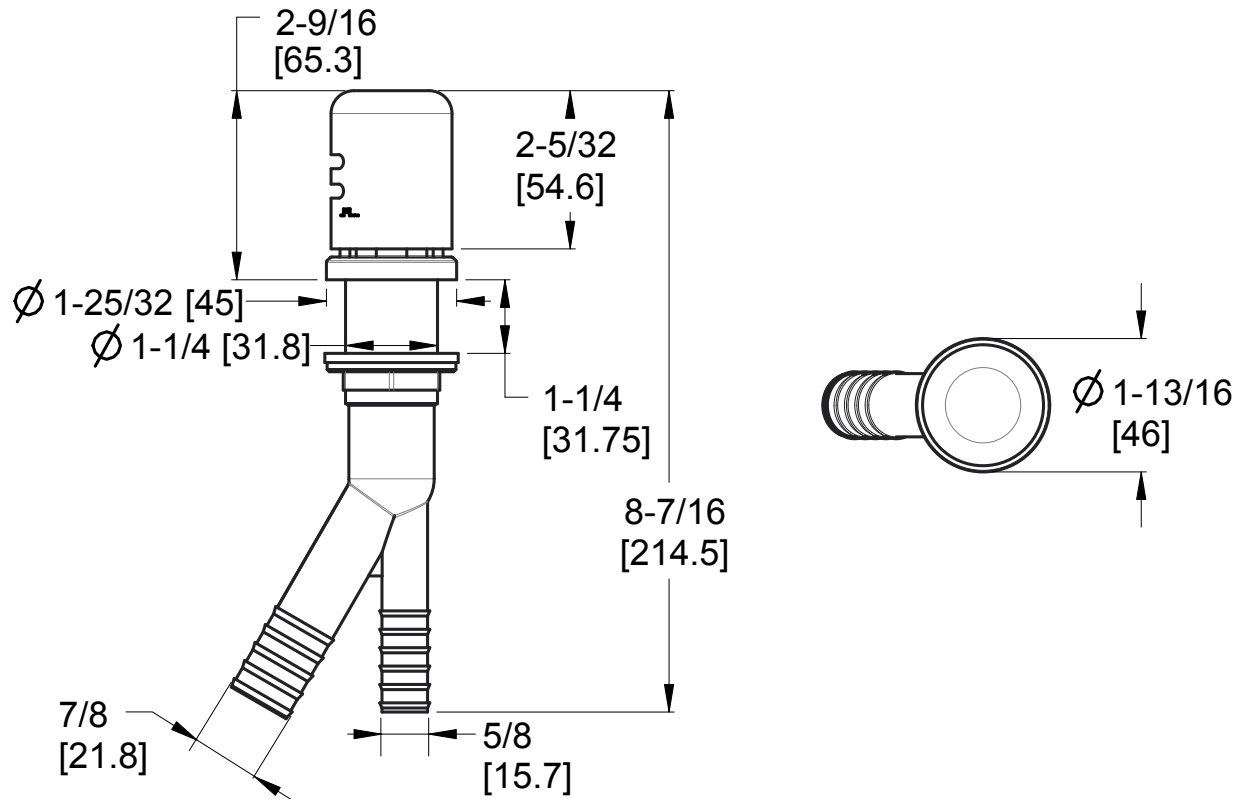
## Specifications

- Metal Cap

### Features

- Metal Cap
- Includes Mounting Hardware
- Pforever Warranty®

## Dimensions



$\varnothing 1-1/4$  Min to  $\varnothing 1-1/2$  Max. Deck Hole Openings