

Specifications

Features

- Ceramic Disc Cartridge
- Pforever Warranty®

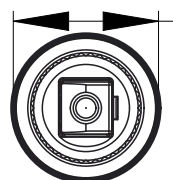
Code Compliance

Pfister products are designed and manufactured in compliance with the following standards and codes:

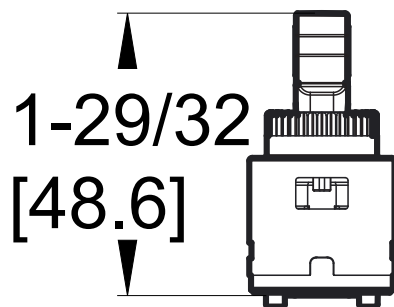
- ASME A112.18.1
- NSF 61/9
- NSF 372



Dimensions



$31/32$
[25]



$1-29/32$
[48.6]