

SPECIFICATION SUBMITTAL

## XGL Series

# ASHFIELD

COLLECTION

### Hub & Handle Trim

Lever Handles

### Highlights

- Pforever Warranty®

### Code Compliance

Price Pfister products are designed and manufactured in compliance with the following standards and codes:

- IAPMO certified
- ASME A112.18.1
- CSA B125 certified
- ANSI A117.1 (Lever handles only)

<b>Finishes</b>	HHL-YPLC	HHL-YPLE	HHL-YPLK	HHL-YPLU	HHL-YPLY	HHL-YPLZ	SGL-YPLC	SGL-YPLE	SGL-YPLK	SGL-YPLU	SGL-YPLY	SGL-YPLZ
Rustic Bronze				X						X		
Tuscan Bronze					X						X	
Rustic Pewter		X						X				
Polished Chrome	X						X					
Oil Rubbed Bronze						X						X
Satin Nickel			X						X			

<b>Features</b>	HHL-YPLC	HHL-YPLE	HHL-YPLK	HHL-YPLU	HHL-YPLY	HHL-YPLZ	SGL-YPLC	SGL-YPLE	SGL-YPLK	SGL-YPLU	SGL-YPLY	SGL-YPLZ
Conical Hub	X	X	X	X	X	X	X	X	X	X	X	X
For Tub & Shower Trim							X	X	X	X	X	X
Kit Contains One Handle							X	X	X	X	X	X
Kit Contains Two Handles	X	X	X	X	X	X						
ADA Approved	X	X	X	X	X	X	X	X	X	X	X	X
Step-By-Step Installation Instructions	X	X	X	X	X	X	X	X	X	X	X	X
Pforever Warranty®	X	X	X	X	X	X	X	X	X	X	X	X



- HHL-YPLC
- HHL-YPLE
- HHL-YPLK
- HHL-YPLU
- HHL-YPLY
- HHL-YPLZ



- SGL-YPLC
- SGL-YPLE
- SGL-YPLK
- SGL-YPLU
- SGL-YPLY
- SGL-YPLZ

For additional information, please contact your Price Pfister representative, or visit our website at [www.pricepfister.com](http://www.pricepfister.com).

**Project:** \_\_\_\_\_

**Contractor:** \_\_\_\_\_

SS-XGL-07

**1-800-PFAUCET** [www.pricepfister.com](http://www.pricepfister.com)  
 19701 DaVinci, Lake Forest, CA 92610  
 02/15/06

**Price Pfister®**  
 Pfreshest Ideas in Pfaucets.

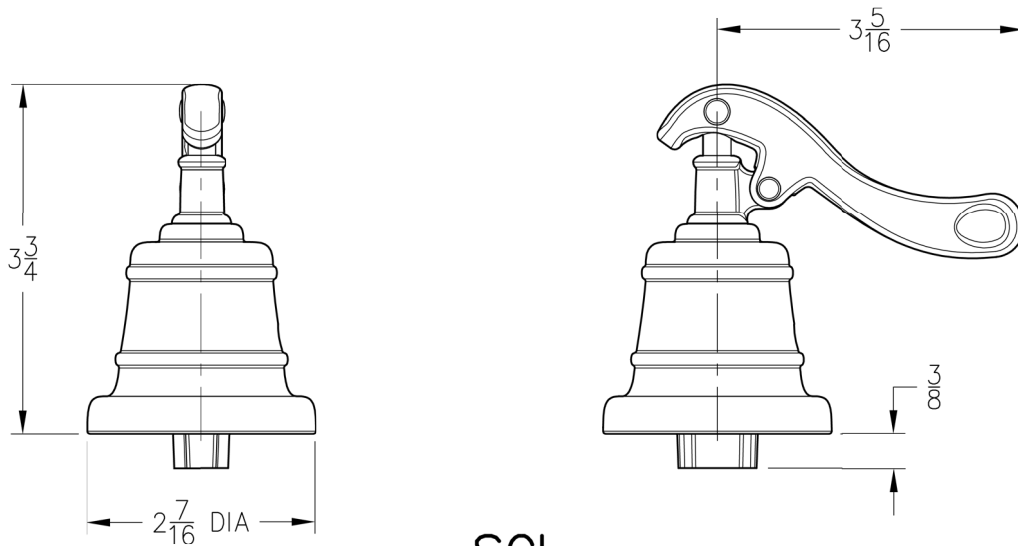
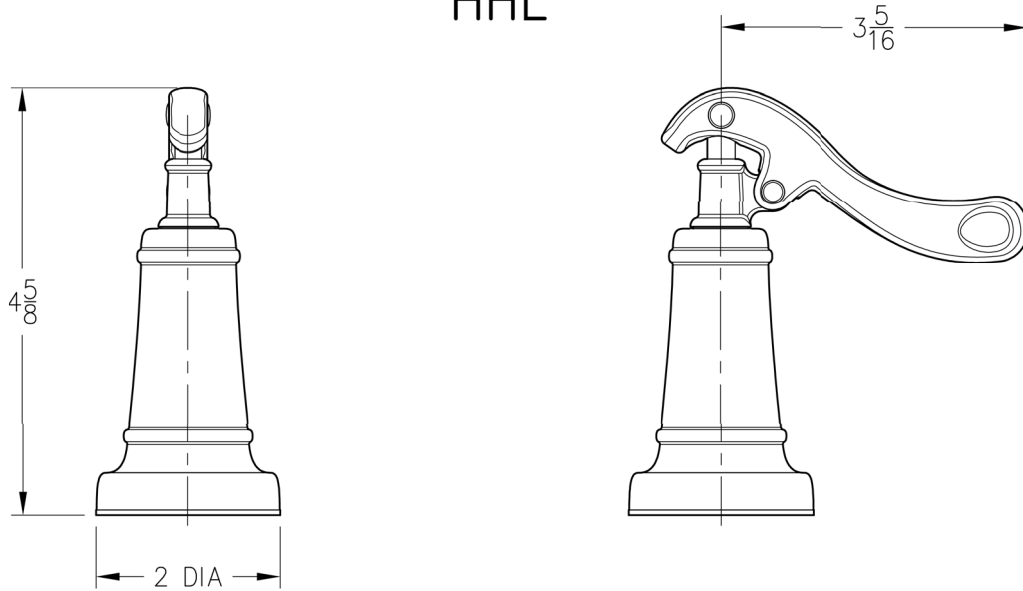
INSTALLATION DIMENSIONS

**XGL Series**

**ASHFIELD**  
COLLECTION

**Hub & Handle Trim**

HHL



SGL

Dimensions are in Inches

1-800-PFAUCET [www.pricepfister.com](http://www.pricepfister.com)  
19701 DaVinci, Lake Forest, CA 92610  
11/17/05

**Price Pfister**<sup>®</sup>  
Pf freshest Ideas in Pf faucets.

**SS-XGL-07**