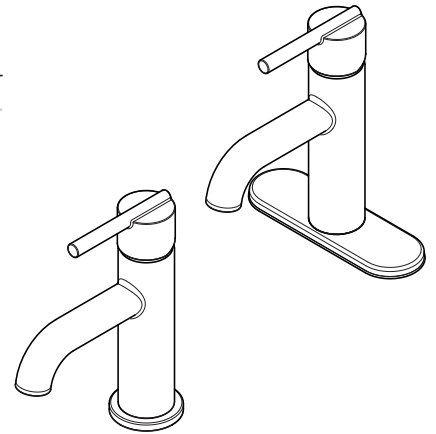


LG42-BIOB Finish(B)

LG42-BIOC Finish(C)

LG42-BIOK Finish(K)



- All Metal Construction
- Pforever Seal
- Push & Seal™ Pop-Up

## Specifications

### Features

- 1.2 GPM Flow Rate
- 1 or 3-Hole Installation
- Optional Deckplate. Order 961-188\*
- All Metal Construction
- Concealed Screw
- Laminator Flow Aerator
- Pfaster Connect™
- Push & Seal™ Pop-Up
- TiteSeal™ Deckplate
- Pforever Seal Ceramic Disc Valve
- Pforever Warranty®

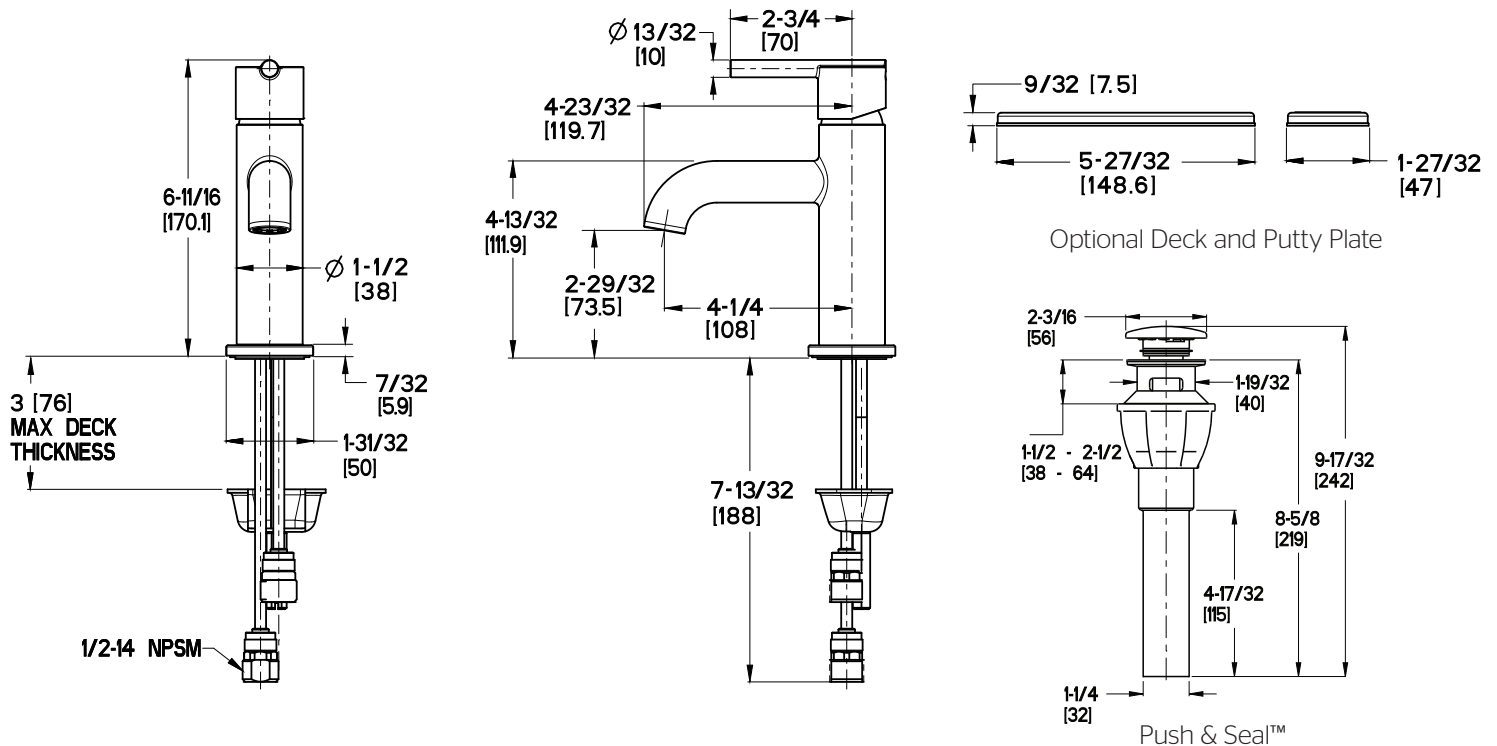
### Code Compliance

Pfister products are designed and manufactured in compliance with the following standards and codes:

- IAPMO Certified
- CSA B125 Certified
- ASME A112.18.1
- Cal Green Compliant
- CEC Compliant
- NSF 61/9 Annex G (Low lead)
- ADA Compliant-ANSI A117.1 (Lever handles only)
- EPA WaterSense Certification 1.2 gpm, 4.5 L/Min



## Dimensions



Ø1 Min to Ø1-1/2 Max. Deck Hole Openings