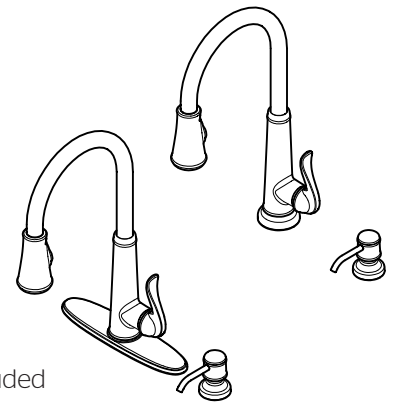


- GT529-YPC Finish(CC)
- GT529-YPK Finish(KK)
- GT529-YPU Finish(UU)
- GT529-YPY Finish(Y Y)



- 1, 2, 3 or 4-Hole Installation
- Pforever Seal
- Soap/ Lotion Dispenser Included

Specifications

Features

- 70" Pullout Hose Length
- Braided Nylon Reinforced Vinyl Hose
- Lever Handles
- Reinforced Deck Plate with Integrated Tie-Downs
- Includes Metal Supply Nuts
- Single-Post Mounting Option
- 360° Swivel Spout for Custom Handle Positioning
- Accommodates Up to 2" Deck Thickness
- High-Arc Decorative Spout
- Adjustable Spray Volume Control Feature
- Ergonomic Spray Head Produces Strong Spray or Aerated Stream
- Pforever Seal Ceramic Disc Valve
- Pforever Warranty®

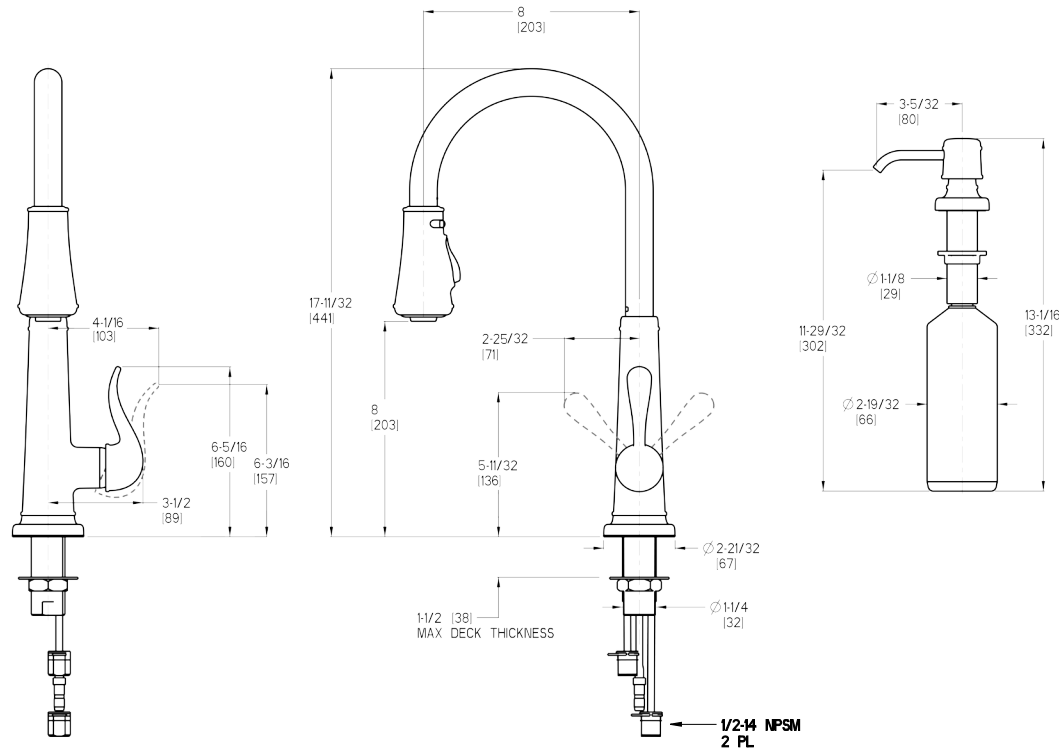
Code Compliance

Pfister products are designed and manufactured in compliance with the following standards and codes:

- IAPMO Certified
- CSA B125 Certified
- ASME A112.18.1
- NSF 61/9 Annex G (Low lead)
- Cal Green Compliant
- ADA Compliant-ANSI A117.1 (Lever handles only)



Dimensions



Ø1-3/8 Min to Ø1-1/2 Max. Deck Hole Openings