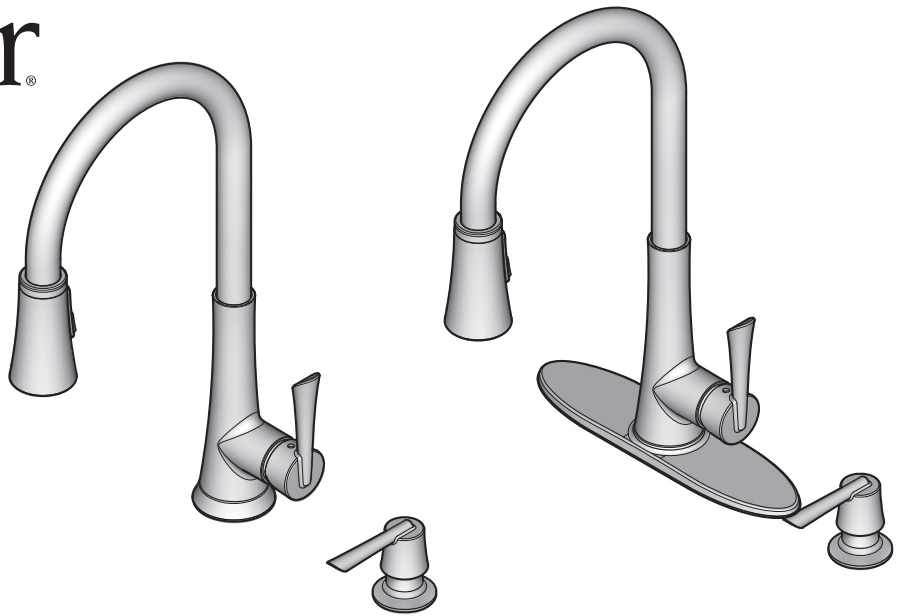


Price Pfister®

529 Series
Serie 529
Série 529

Mystique™

Single Control Kitchen Faucet
Grifo Monomando Para La Cocina
Mitigeur De Cuisine



Price Pfister

Lifetime Limited Mechanical & Pfinish Warranty
Covers Pfinish and Pfunction for as Long as You
Own Your Home

(Commercial Applications Limit the Duration of the
Warranties as Provided Below)

Price Pfister provides the following Warranties for its products. Proof of Purchase may be required in order to obtain any of the benefits set forth below.

Limited Warranties: Price Pfister warrants that for as long as the original purchaser owns the home in which the Price Pfister product (the "Product") is originally installed, the Product will be free of all defects in material and workmanship that would impair the intended and proper use of the Product. If the Product is installed in a commercial application, the above mechanical warranty shall be limited for a period of ten (10) years from the date of purchase of the Product.

Price Pfister warrants against deterioration of the Product's finish for as long as the original purchaser owns the home in which the Product is originally installed. If the Product is installed in a commercial application, the above finish warranty for Products that do not contain the PForever finish shall be limited to a period of five (5) years from the date of purchase.

Exclusive Remedy: In the event of any defect in the Product that breaches the foregoing warranties, Price Pfister, at its option, will repair or replace the defective part of the Product. Repair or replacement of the Product is the exclusive remedy.

For any remedy under this warranty, Price Pfister is to be notified describing the problem. In order to notify Price Pfister and receive assistance or service under this warranty, the original purchaser may: (1) call 1-800-Pfaucet (1-800-732-8238) for a consumer service representative who can assist you, or (2) write consumer service department c/o Price Pfister Inc., 19701 DaVinci, Lake Forest, CA 92610, and include a description of the problem, model number, your name, address, phone number and approximate date of purchase, or (3) email Price Pfister's customer service department by going to www.PricePfister.com, or (4) notify the location or distributor from which the Product was purchased. In any case, you may be required to return the Product to Price Pfister for inspection and proof of purchase may be required.

Limitations and Exclusions:

PRICE PFISTER WILL NOT BE LIABLE FOR ANY OTHER DAMAGES OR LOSSES, INCLUDING, BUT NOT LIMITED TO, INCIDENTAL AND/OR CONSEQUENTIAL DAMAGES, REGARDLESS OF THE LEGAL THEORY ASSERTED, INCLUDING ANY CLAIM OR BREACH OF WARRANTY HEREUNDER OR ANY OTHER CAUSE, AND WHETHER ARISING IN CONTRACT OR IN TORT (including negligence and strict liability).

Price Pfister has the right to discontinue or modify any product at any time. Some states do not allow limitations or exclusions of incidental or consequential damages, so the above limitations or exclusions may not apply to you. This warranty gives you specific legal rights, and you may also have other rights which vary from state to state.

The above warranties do not cover damage resulting from improper maintenance, repair, cleaning or installation, misuse, abuse, alterations, accidents or acts of God.



Price Pfister

Garantía Mecánica y sobre el Acabado Limitada de por Vida
Cubre las funciones y el acabado por el tiempo en que usted sea
propietario de su casa
(Las Aplicaciones Comerciales Limitan la Duración
de las Garantías)

Price Pfister suministra las siguientes Garantías para sus productos. Es posible que se requiera la presentación de una Prueba de compra para obtener cualquiera de los beneficios indicados a continuación.

Garantías Limitadas: Price Pfister garantiza que por el tiempo en que el comprador original sea propietario de la casa en el que se hubiese instalado inicialmente el producto Price Pfister (el "Producto"), este Producto estará libre de todo defecto en material y mano de obra que pueda afectar el uso proyectado y correcto del Producto. Si el Producto se instala en una aplicación comercial, la garantía mecánica que antecede estará limitada a un período de diez (10) años a partir de la fecha de compra del Producto.

Price Pfister garantiza el acabado del Producto contra deterioro por el tiempo en que el comprador original sea propietario de la casa en la que hubiese instalado inicialmente el Producto. Si el Producto se instala en una aplicación comercial, la garantía sobre el acabado que precede para Productos que no contengan el acabado "PForever" estará limitada a un periodo de cinco (5) años a partir de la fecha de compra.

Recurso exclusivo: En el caso de que haya un defecto en el Producto que viole las garantías que preceden, Price Pfister, a su opción, reparará o reemplazará la pieza defectuosa del Producto. La reparación o el reemplazo del Producto es el recurso exclusivo.

Para todo recurso con respecto a esta garantía, Price Pfister deberá ser notificado, con una descripción del problema. Para notificar a Price Pfister y recibir ayuda o servicio bajo esta garantía, el comprador original puede: (1) llamar al 1-800-Pfaucet (1-800-732-8238) para hablar con un representante de servicio al cliente que lo pueda ayudar, o (2) escribir al departamento de servicio al consumidor, c/o Price Pfister Inc., 19701 DaVinci, Lake Forest, CA 92610 U.S.A., e incluir una descripción del problema, el número del modelo, su nombre, dirección, número de teléfono y fecha aproximada de compra, o (3) enviar un e-mail al departamento de servicio al consumidor de Price Pfister entrando en la página web www.PricePfister.com, o (4) avisarle al lugar o al distribuidor en donde se compró el Producto. En cualesquiera de los casos, podría pedirse devolver el Producto a Price Pfister para su inspección y es posible que se requiera la presentación de una prueba de compra.

Limitaciones y Exclusiones:

PRICE PFISTER NO SE HARÁ RESPONSABLE DE NINGÚN OTRO DAÑO O PERJUICIO, INCLUYENDO, PERO SIN ESTAR LIMITADO A DAÑOS INCIDENTALES Y/O CONSECUTENTES, SIN IMPORTAR LA TEORÍA LEGAL A LA QUE SE ALEGUE, INCLUYENDO TODO RECLAMO O VIOLACIÓN DE LA GARANTÍA PRESENTE O CUALQUIER OTRA CAUSA, Y YA SEAN COMO RESULTADO DE LA LEY CONTRACTUAL O LA DE ANTECEDENTES (incluyendo negligencia y responsabilidad estricta).

Price Pfister tiene el derecho de discontinuar o modificar cualquier producto en cualquier momento. Ciertos estados no permiten limitaciones o exclusiones de daños incidentales o consecuentes, de manera que es posible que las limitaciones o exclusiones que preceden no correspondan en su caso. Esta garantía le otorga derechos legales específicos y es posible que usted también tenga otros derechos que difieren entre un estado y otro.

Las garantías que preceden no cubren daños y perjuicios ocasionados como resultado de mantenimiento, reparaciones, limpieza o instalación inadecuadas, mal uso, abuso, alteraciones, accidentes o causas de fuerza mayor.



Price Pfister

Une garantie limitée à vie
pour ce qui est de l'aspect mécanique et de la finition,
tant et aussi longtemps que vous serez propriétaire
de votre domicile.
(Garantie limitée en cas d'utilisation commerciale
- voir ci-dessous)

Veillez noter qu'une preuve d'achat peut être requise en cas de recours au titre de la garantie.

Garantie limitée : Tant et aussi longtemps que l'acheteur sera propriétaire du domicile dans lequel le produit Price Pfister a été installé, nous lui garantissons que ce dernier sera exempt de tout défaut de matériau ou vice de fabrication pouvant entraver l'utilisation correcte tel que prévu. Dans le cas des produits d'utilisation commerciale, la garantie exprimée ci-dessus est restreinte à une période de dix (10) ans.

Par ailleurs, tant et aussi longtemps que l'acheteur sera propriétaire du domicile dans lequel le produit Price Pfister a été installé, nous lui garantissons un article dont la finition ne pourra se détériorer. Dans le cas des produits d'utilisation commerciale qui ne comportent pas la finition "PForever", la garantie est restreinte à une période de cinq (5) ans.

Recours exclusif : En cas de défaut du produit relevant de la garantie, le fabricant pourra, à sa discrétion, réparer ou remplacer la partie défectueuse. Cette mesure constitue un recours exclusif.

Pour tout recours au titre de la garantie, les clients doivent communiquer avec le fabricant pour lui faire part du problème. L'acheteur d'origine peut : (1) composer le 1 800 732-8238 pour parler à un représentant qui l'assistera; (2) écrire au service à la clientèle : Price Pfister Inc., 19701 DaVinci, Lake Forest, CA 92610 U.S.A., et fournir une explication du problème, en précisant le numéro de modèle, son nom, son adresse et son numéro de téléphone, ainsi que la date d'achat approximative; (3) communiquer par courrier électronique avec le service à la clientèle en utilisant le site www.PricePfister.com, ou (4) aviser le détaillant qui a vendu le produit. On peut être obligé de retourner le produit au fabricant, et une preuve d'achat peut être exigée.

Limitations et exclusions :

PRICE PFISTER NE SERA PAS RESPONSABLE DES AUTRES DOMMAGES OU PERTES, Y COMPRIS LES DOMMAGES INDIRECTS, INDÉPENDAMMENT DE TOUTE THÉORIE JURIDIQUE, Y COMPRIS TOUTE RÉCLAMATION SELON LAQUELLE IL Y AURAIT EU RUPTURE DE GARANTIE, QUE CE SOIT PAR RAPPORT À UN CONTRAT OU PAR VOIE DE NÉGLIGENCE (cela comprend la négligence et la responsabilité stricte).

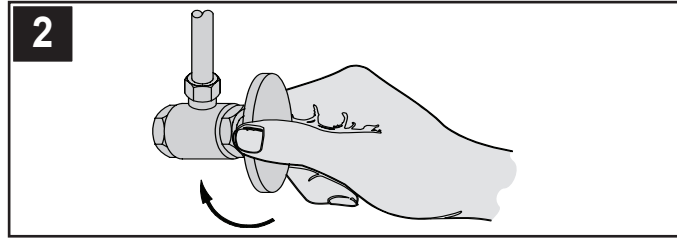
Price Pfister se réserve le droit de discontinuer ou de modifier un produit en tout temps. Certaines provinces ne permettent pas l'exclusion ou la limitation des dommages indirects, de sorte que la limitation exprimée peut ne pas s'appliquer. La présente garantie octroie aux clients certains droits d'ordre juridique, et ceux-ci pourraient en avoir d'autres, selon la province où ils habitent.

La garantie ne s'applique pas aux dommages résultant d'un entretien, d'un nettoyage ou d'une installation fautive effectués, ou encore d'usages fautifs, d'abus, de modifications, d'accidents ou de catastrophes naturelles.

Thank you for purchasing this Price Pfister product. All Price Pfister products are carefully engineered, and factory tested to provide long trouble-free use under normal conditions. This product is easy to install using basic tools and our easy to follow illustrated instructions. If you have any questions regarding this product, call 1-800-Pfaucet (1-800-732-8238).

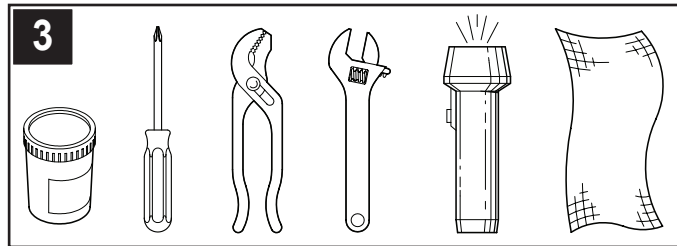
1 BEFORE PROCEEDING

⚠ WARNING: Read all the instructions completely before proceeding. Price Pfister recommends calling a professional if you are uncertain about installing this product! This product should be installed in accordance with all local and state plumbing and building codes.



2 SHUT OFF WATER SUPPLY

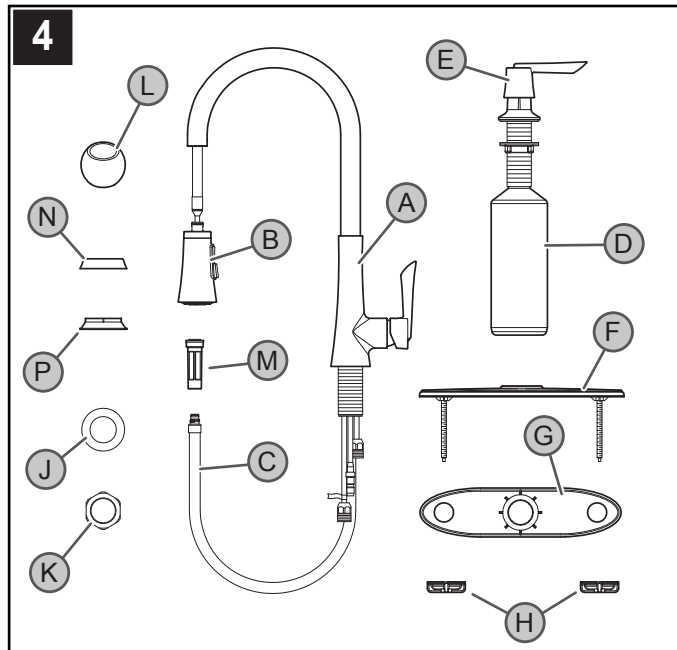
Locate water supply inlets and shut off the water supply valves. These are usually found under the sink or near the water meter. If you are replacing an existing faucet, remove the old faucet from the sink and clean the sink surface thoroughly.



3 TOOLS RECOMMENDED

- Plumber's putty
- Philips head screwdriver
- Pliers
- Adjustable wrench
- Flashlight
- Cloth

Your installation may require new supply lines and / or shut-off valves or other additional tools.



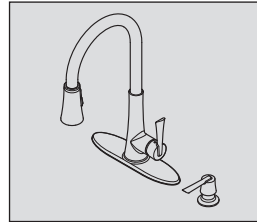
4 CHECKING THE CONTENTS OF THE BOX

Upon opening the box, check to ensure that all of the following items are included:

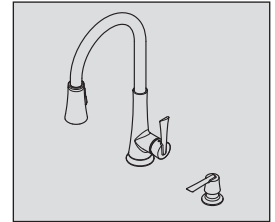
- A Faucet Body
- B Spray Head
- C Pull-Out Hose
- D Soap Dispenser
- E Soap Dispenser Head
- F Deckplate
- G Putty Plate
- H Wing Nuts (2x)
- J Metal Washer
- K Locknut
- L Weight
- M Quick Connector
- N Mounting Ring
- P Putty Ring

If any of these items are missing, please contact Price Pfister Consumer Services at 1-800-Pfaucet (1-800-732-8238).

5 These instructions cover two different installations



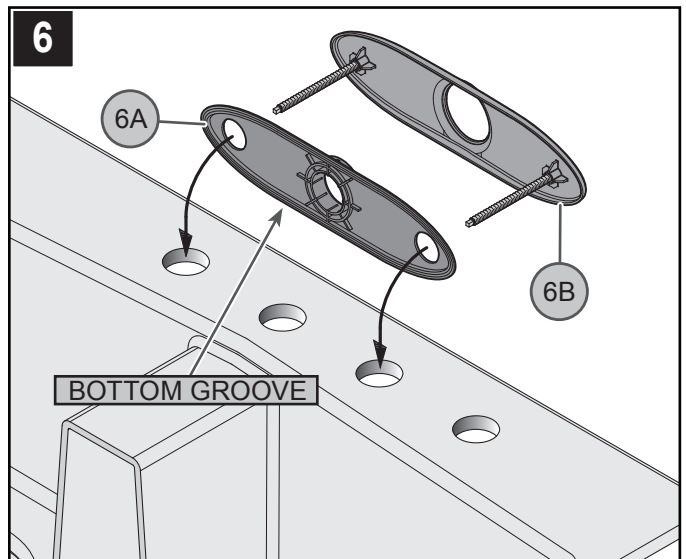
**Option 1:
4 Hole With Deckplate
Installation**



**Option 2:
2 Hole With Single Post
Installation**

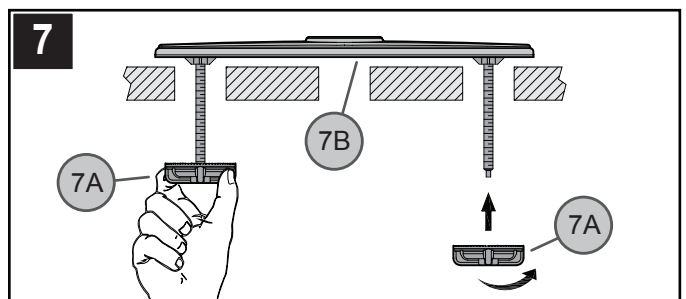


4 HOLE INSTALLATION



6 INSTALLING DECKPLATE

Ensure that Plastic Putty Plate (6A) is pressed on to Deckplate (6B). Place a bead of plumber's putty in the bottom groove along the outer edge of the Putty Plate (6A). Install Deckplate (6B) over the three holes in your sink.

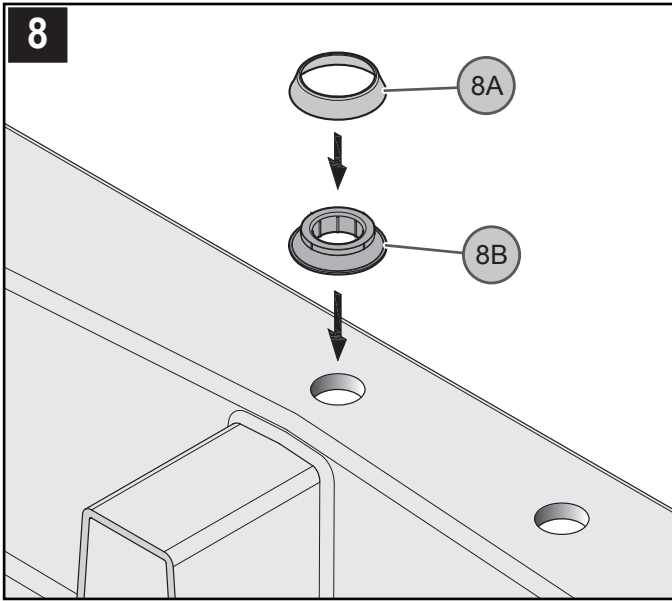


7 SECURING DECKPLATE

From underneath sink, hand tighten Wing Nuts (7A). **Caution:** do not over-tighten wing nuts. Remove any excess putty from around the outside edge of Putty Plate (7B).

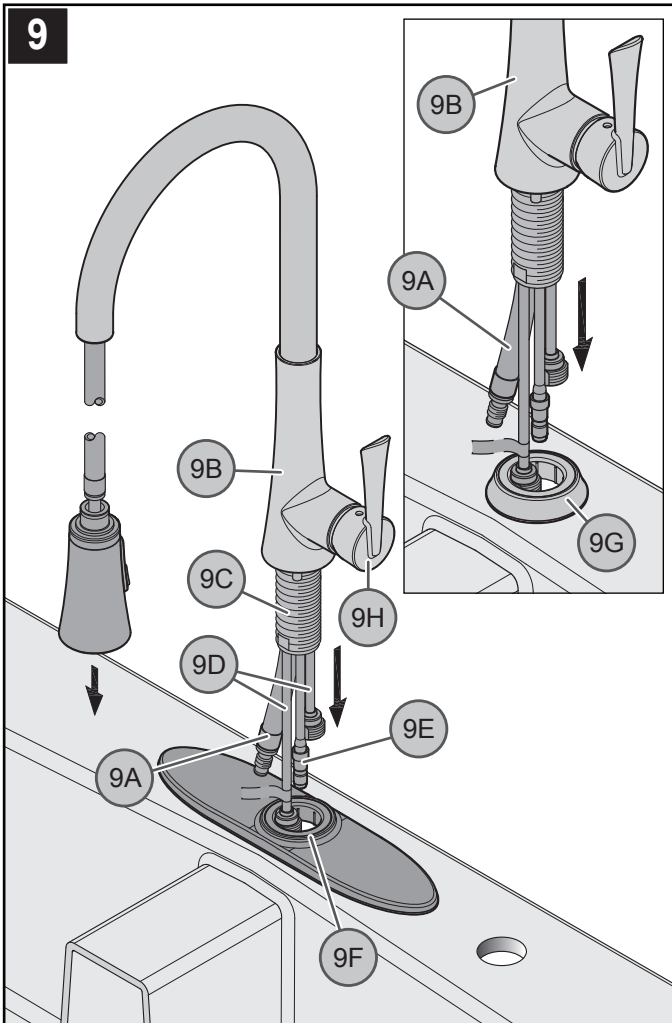


2 HOLE INSTALLATION



8 INSTALLING MOUNTING RING

Place Mounting Ring (8A) over Plastic Seal (8B) and sink hole. Align Mounting Ring (8A) to the center of sink hole. Place a bead of plumber's putty in the bottom groove along the outer edge of Plastic Ring (8B).

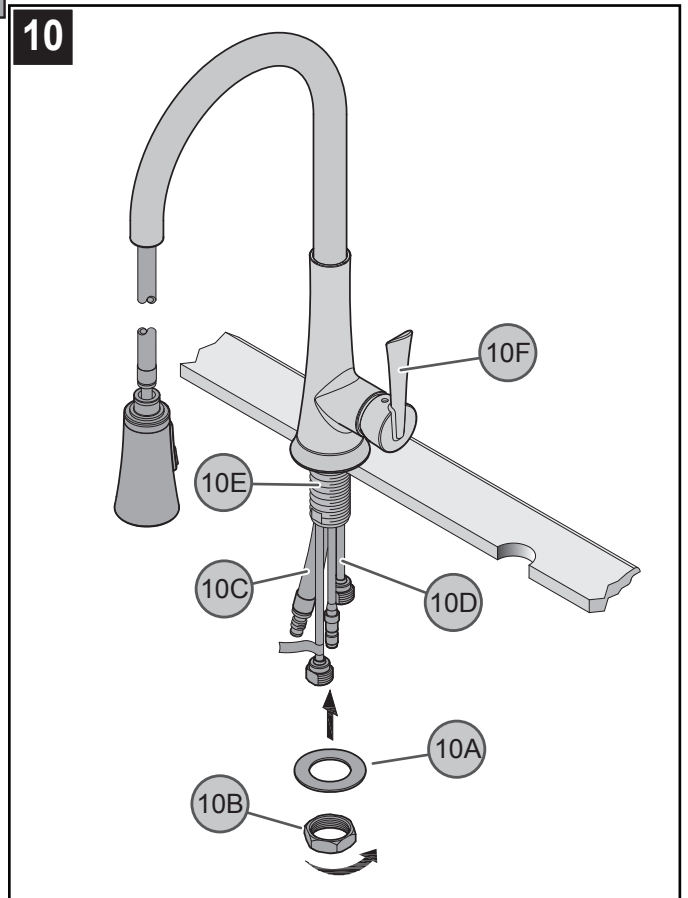


9 BODY INSTALLATION

Retract Pull-Out Hose (9A) up through Faucet Body (9B), until the pullout hose fitting is flush with the bottom of Mounting Shank (9C). Insert Faucet Supply Tubes (9D) and Receiving Tube (9E) through the hole in Deckplate (9F) or Mounting Ring (9G). Handle (9H) can be oriented to the right or the left.

Note: Do not feed the Pull-Out Hose (9A) back down through the spout yet.

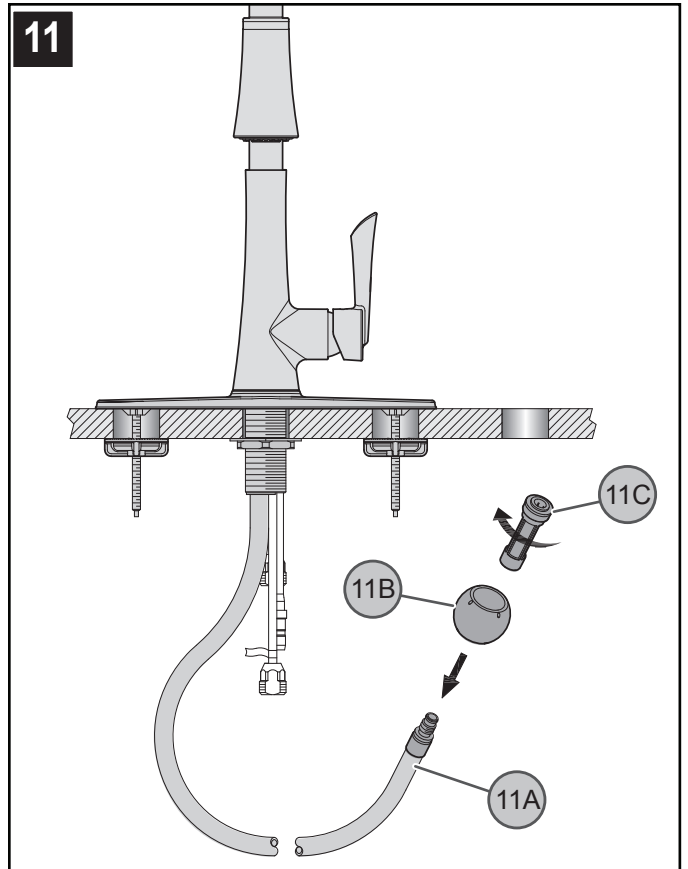
10



10 SECURING SPOUT BODY

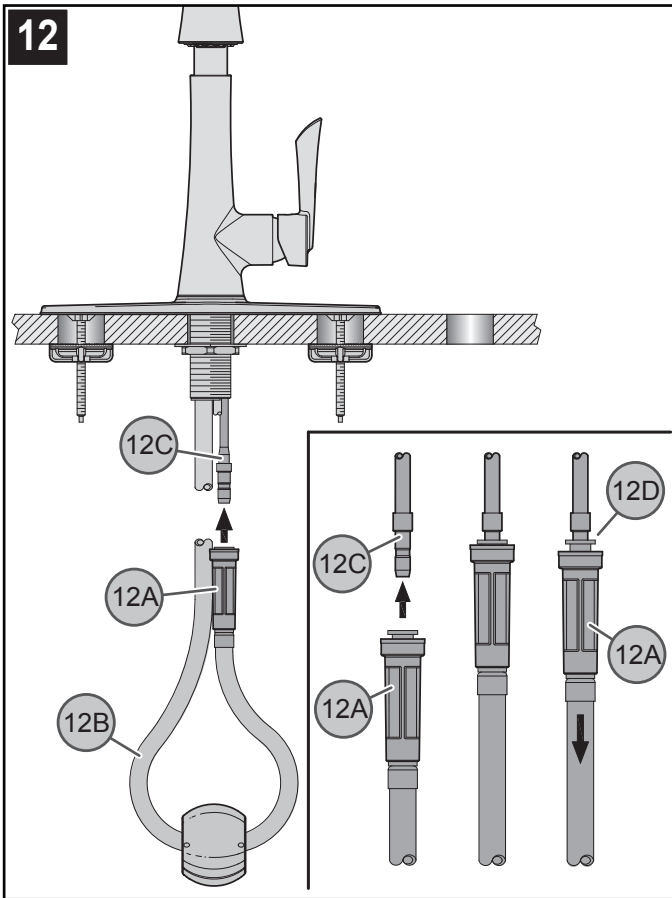
From underneath sink, place Washer (10A) and Locknut (10B) over Pull-Out Hose (10C) and Supply Tubes (10D). Thread loosely onto Mounting Shank (10E). Make sure that Handle (10F) is properly aligned to sink. Tighten faucet firmly to sink.

11



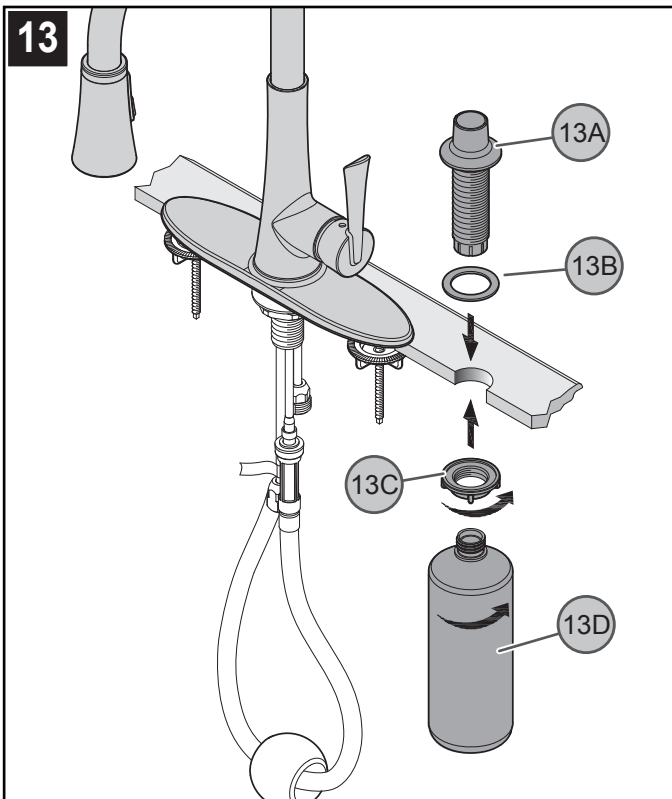
11 QUICK CONNECT & WEIGHT ATTACHMENT

Insert the end of the Pull-Out Hose (11A) into the Weight (11B). Screw Quick Connector (11C) to the free end of Pull-Out Hose (11A).



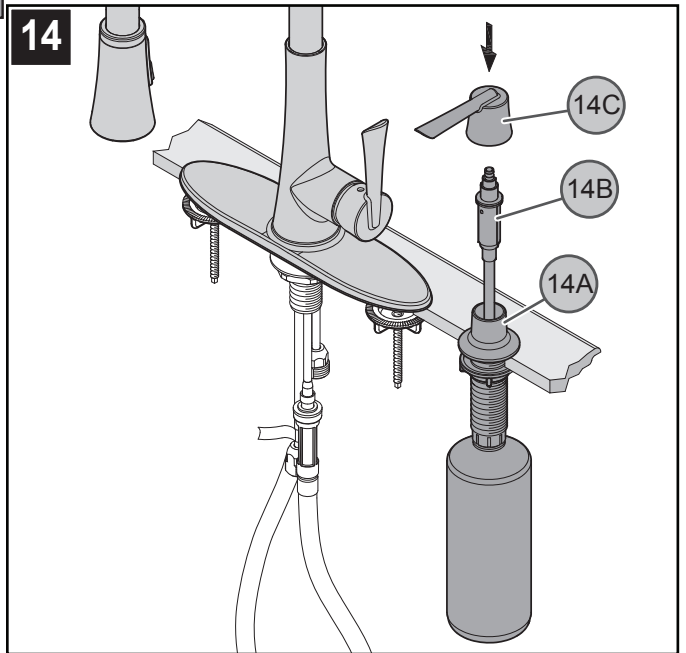
12 PULL-OUT HOSE ATTACHMENT

From underneath sink, push Quick Connector (12A), located on the end of the Pull-Out Hose (12B) firmly upward onto the Receiving Tube (12C), until unable to push any further. Pull down on the Quick Connector (12A). If the housing and the Inner Collet (12D) separate slightly but do not pull off the Receiving Tube (12C), quick connect is secure.



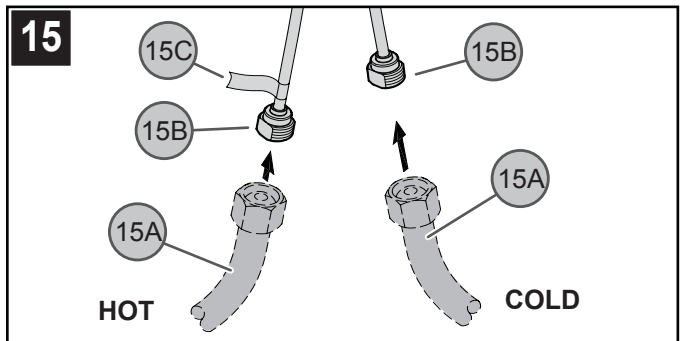
13 SOAP DISPENSER INSTALLATION

From above sink, insert threaded Shank (13A) of soap dispenser body through Foam Gasket (13B) and sink hole. From below sink, tighten Nut (13C) and thread on Soap Bottle (13D) to Shank (13A).



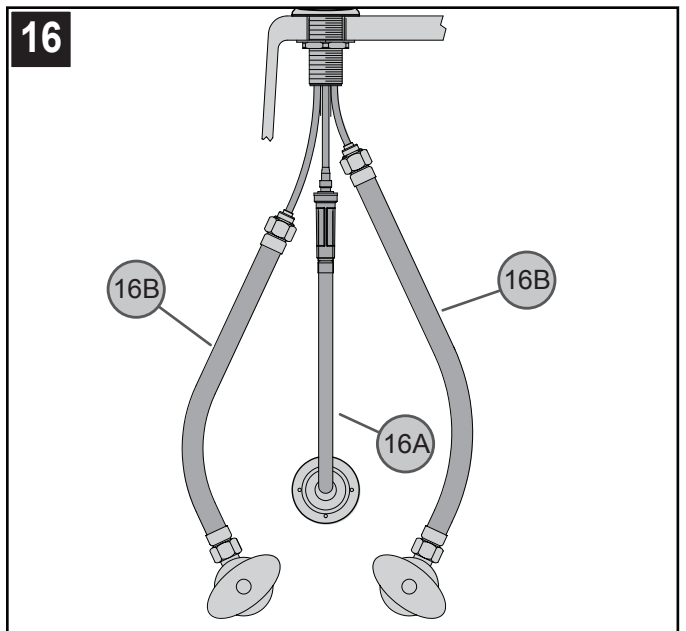
14 SOAP DISPENSER HEAD INSTALLATION

Pour liquid soap (not included) into the Soap Dispenser Body (14A). Insert Pump Mechanism (14B) into Soap Dispenser Body (14A). Install Dispenser Head (14C) by pushing firmly onto Pump Mechanism (14B).



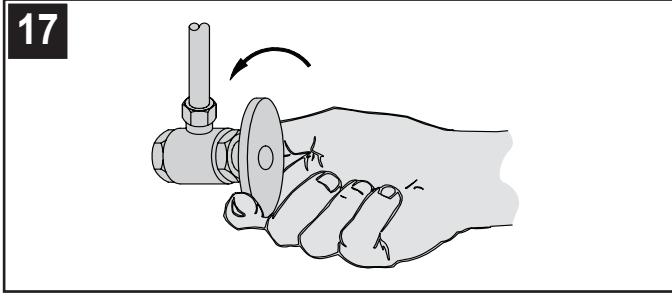
15 WATER SUPPLY CONNECTIONS

Gently separate hot and cold Faucet Inlets (15B), approximately three inches apart. Connect water Supply Lines (15A) to Faucet Inlets (15B). Hot water supply line goes to hot inlet fitting indicated by red tag (15C). (Supply lines not included). Follow manufacturer's instructions when installing supply lines.



16 SECURING INLET LINES

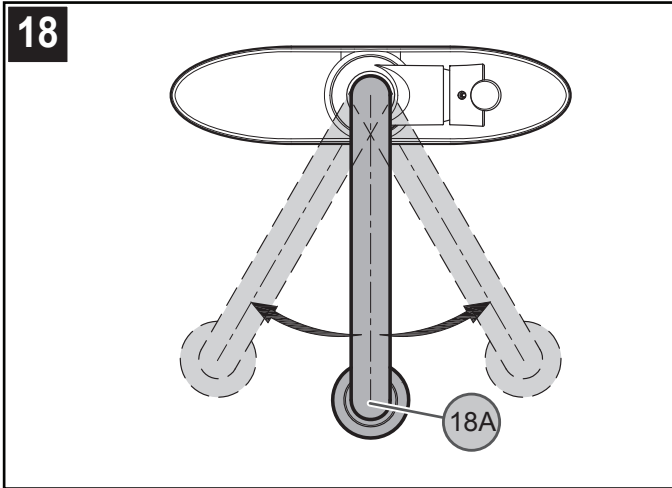
Do not cross Pull-Out Hose Connection (16A) with Inlet Supply Tubes (16B) to avoid binding, jamming and interference with the movement of the Pull-Out Hose (16A).



17 UNIT START UP

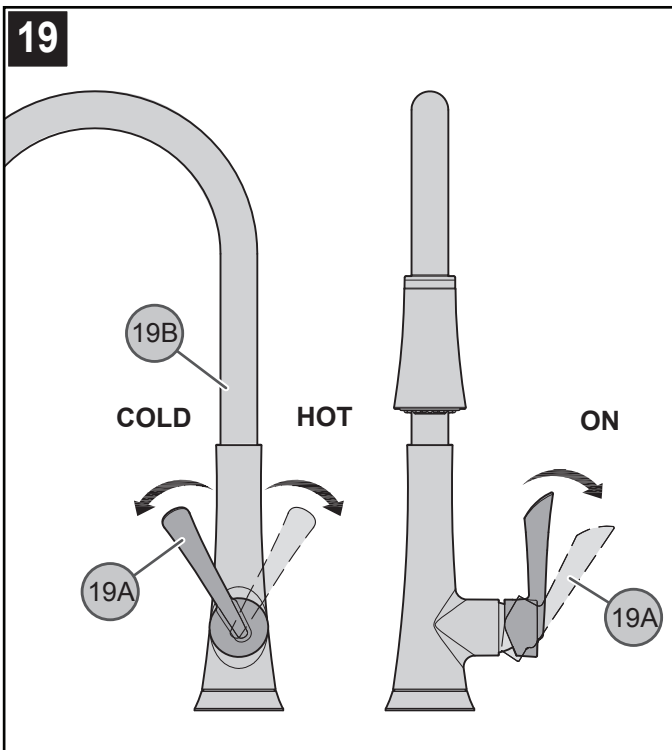
Turn on hot and cold water supplies, and check for leaks above and below the sink.

FAUCET FUNCTIONS



18 SPOUT FUNCTION

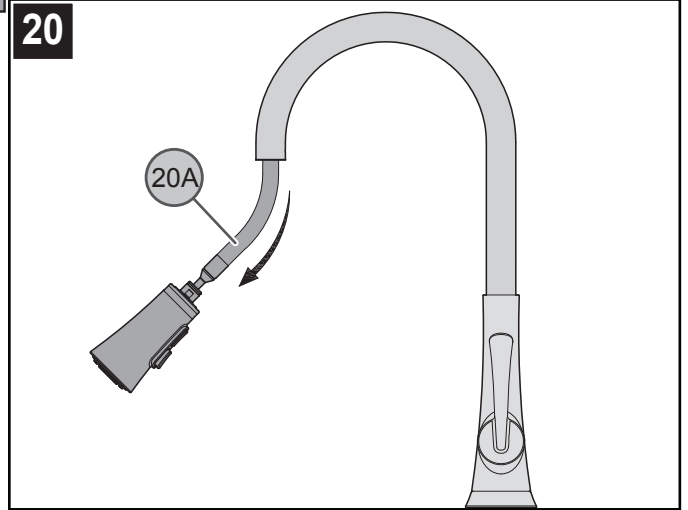
The Spout (18A) can be rotated around the Faucet Body in any direction.



19 VALVE FUNCTION

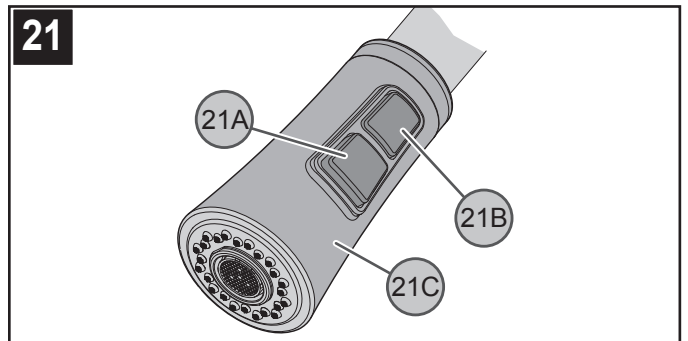
By rotating the Lever Handle (19A) away from the Faucet Body (19B), the valve will be activated allowing water to flow. The water flow will increase by continuing to rotate the Lever Handle (19A). By rotating the Lever Handle towards you, the water temperature will decrease to cold flow only. By rotating the Lever Handle away from you, the water temperature will be increased to hot flow only.

Note: Flush faucet before turning on valve (see step 24).



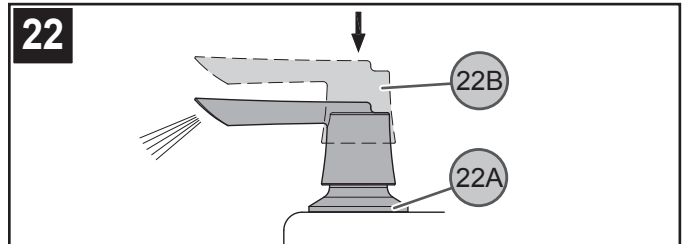
20 PULL-OUT OPERATION

The Pull-Out Hose (20A) can be pulled forward to spray water in any direction.



21 SPRAY OPERATION

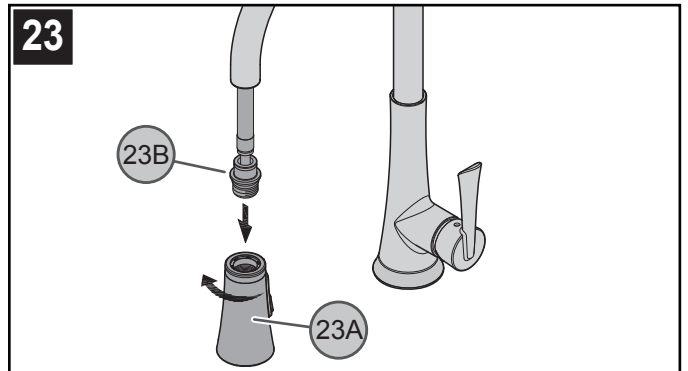
By activating the valve, water will flow in regular stream mode. To activate the spray mode, press Button (21A) located behind Spray Head (21C). By pressing Button (21B), the spray pattern will change between spray and stream while the faucet is in operation. By holding Button (21B), the water flow will pause. The water flow will resume once Button (21B) is released.



22 SOAP DISPENSER OPERATION

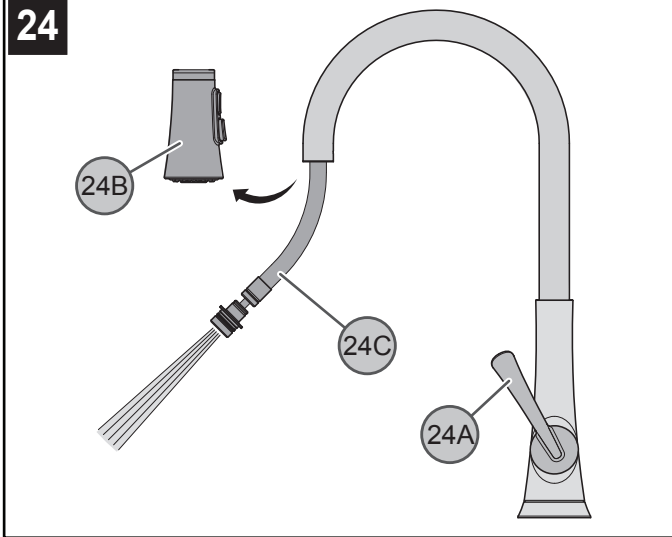
To activate Soap Dispenser (22A), press Dispenser Head (22B) to spray liquid soap.

MAINTENANCE & CARE



23 SPRAY HEAD REMOVAL

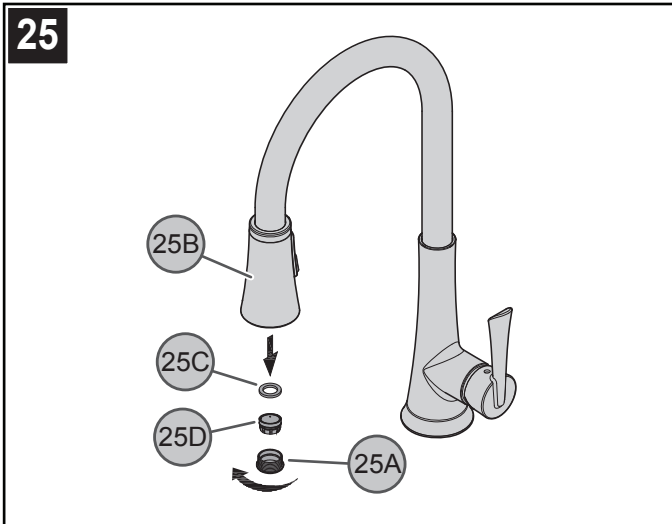
To prevent damage to the internal parts of your faucet from debris that may have collected in the water lines, it will be necessary to flush the faucet. Flushing requires the removal of the sSpray Head (23A). To remove the Spray Head (23A), hold metal Hose Fitting (23B) and turn the Spray Head (23A) counterclockwise.



24 FLUSHING

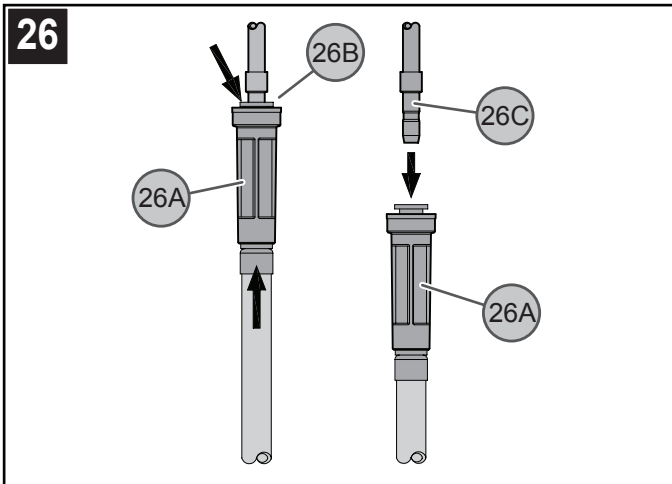
Turn on Valve Lever Handle (24A). Run water for one minute. Repeat in hot and cold positions. Reassemble the Spray Head (24B) to the Pull-Out Hose (24C) by turning Spray Head (24B) clockwise.

Caution: Do not over tighten Spray hHead and Pull-Out Hose.



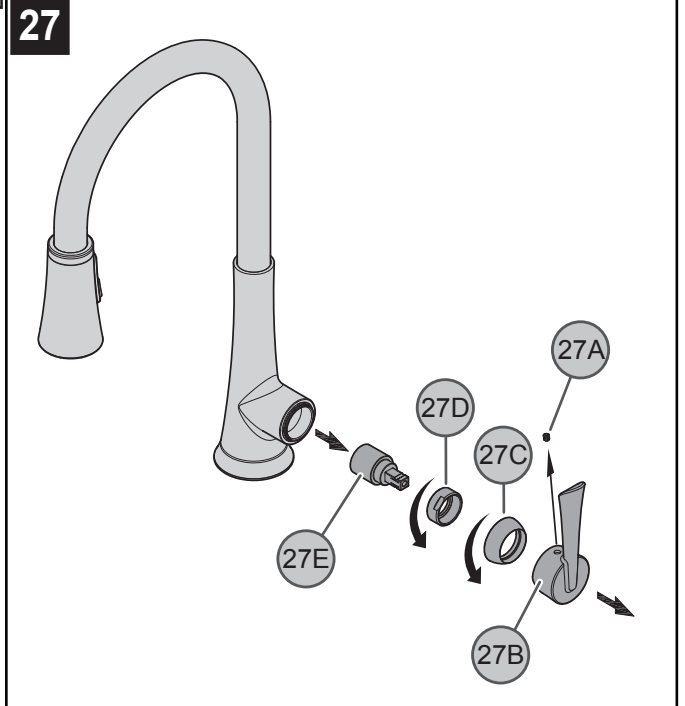
25 AERATOR CLEANING

Over time, the aerator in your faucet may become clogged with debris. To clean the aerator, unscrew Aerator Housing (25A) from Spray Head (25B). Remove Aerator Seal (25C) and Aerator Cartridge (25D) from Aerator Housing (25A). Clean Aerator Cartridge (25D) and Aerator Housing (25A). Reassemble faucet by reversing steps.



26 PULL-OUT HOSE REMOVAL

To remove the quick connect attachment: Push up on Quick Connector (26A). Holding gray Plastic Collet (26B) in place, pull downward on Quick Connector (26A) until Tube (26C) is free.



27 CARTRIDGE REPLACEMENT

Turn off water supplies and relieve pressure before working on your faucet. Using a $\frac{3}{32}$ " Hex wrench, loosen Set Screw (27A) and remove Handle (27B). Remove Dome Cap (27C) by unscrewing counterclockwise. Unscrew Retainer Ring (27D) and carefully remove Cartridge (27E) by pulling it straight up and out. Reassemble faucet by reversing steps.

⚠ CAUTION: Maintenance

DISASSEMBLY

1. Replacement parts may be available at the store where you purchased your faucet.
2. When replacement parts are not available, please write or call Price Pfister Consumer Service.
3. **Always turn off water and relieve pressure before working on your faucet.**

⚠ NOTE: Trim Care

Cleaning Instructions:

For all Handles and decorative finishes, use only a soft damp cloth to clean and shine. Use of polish, detergents, abrasive cleaners, organic solvents or acid may cause damage. **Use of other than a soft damp cloth will nullify our warranty!**

Special Trim:

Trim products which contain Porcelain or other similar substance are not acceptable for public areas or Commercial use. Installation of Said Trim is at Users Risk!



1-800-PFAUCET (1-800-732-8238)

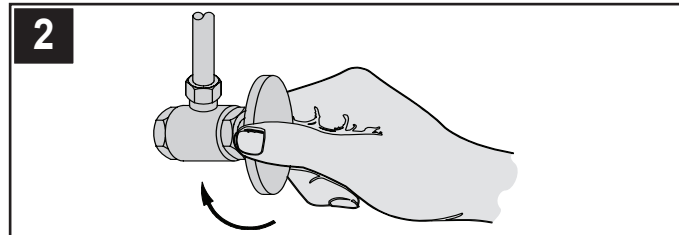
For Toll-Free Pfaucet information call
1-800-PFAUCET (1-800-732-8238)
or visit www.pricepfister.com

- Installation Support
- Care and Warranty Information

Gracias por haber comprado este producto Price Pfister. Todos los productos Price Pfister están diseñados cuidadosamente y son sometidos a pruebas en la fábrica para ser utilizados sin problemas bajo condiciones normales. Este producto es fácil de instalar con herramientas básicas y nuestras instrucciones ilustradas fáciles de seguir. Si tiene alguna pregunta sobre este producto, llame al 1-800 Pfauet (1-800-732-8238).

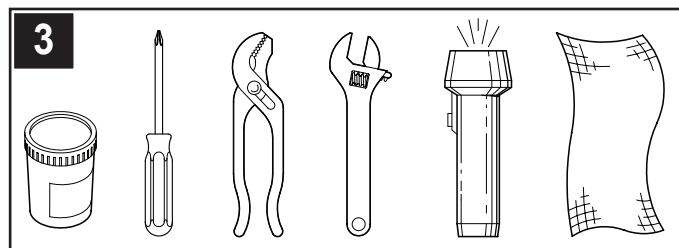
1 ANTES DE PROCEDER

ADVERTENCIA: Antes de proceder, lea completamente todas las instrucciones. Price Pfister recomienda llamar a un profesional si no se está seguro acerca de cómo instalar este producto. Este producto debe instalarse de acuerdo a los códigos de plomería y de construcción locales y estatales.



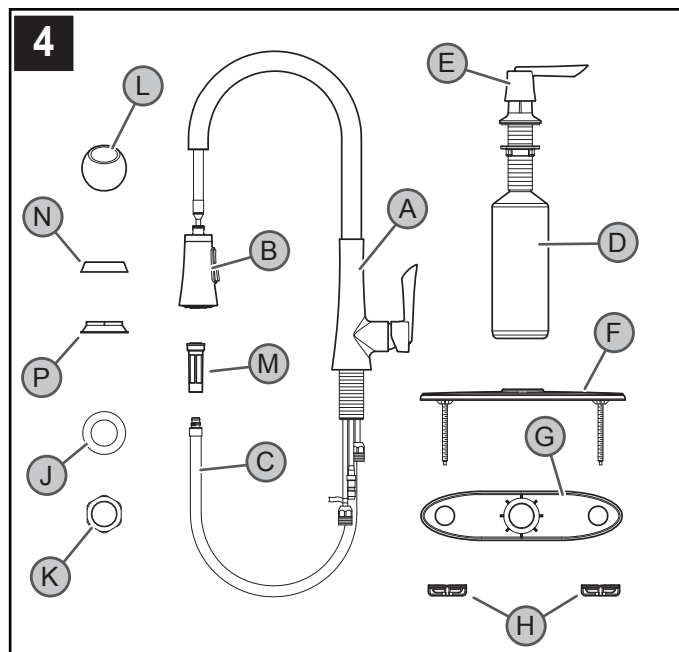
2 CIERRE EL SUMINISTRO DE AGUA

Ubique las entradas del suministro de agua y cierre las válvulas de suministro de agua. Generalmente se encuentran debajo del fregadero o cerca del medidor de agua. Si se trata de un reemplazo de grifo, quite el grifo viejo y limpie completamente la superficie del fregadero.



3 HERRAMIENTAS RECOMENDADAS

- Masilla para plomería
 - Destornillador en cruz
 - Tenazas
 - Llave ajustable
 - Linterna de mano
 - Paño
- Para hacer la instalación podría ser necesario contar con nuevas tuberías de suministro, válvulas de cierre o herramientas adicionales.



4 VERIFICACIÓN DEL CONTENIDO DE LA CAJA

- Después de abrir la caja, verifique que se incluyan todos los artículos siguientes con su grifo:
- A Cuerpo del surtidor
 - B Cabeza de rociado
 - C Manguera desmontable
 - D Dispensador de jabón
 - E Cabeza del dispensador
 - F Placa de cubierta
 - G Placa para masilla
 - H Tuercas de mariposa (2x)
 - J Arandela de metal
 - K Tuerca de montaje
 - L Contrapeso
 - M Conector rápido
 - N Aro de montaje
 - P Aro para masilla

Si falta alguno de estos artículos, comuníquese con el departamento de Servicios al Consumidor de Price Pfister al 1-800-Pfauet (1-800-732-8238).

5 Estas instrucciones cubren dos instalaciones distintas:

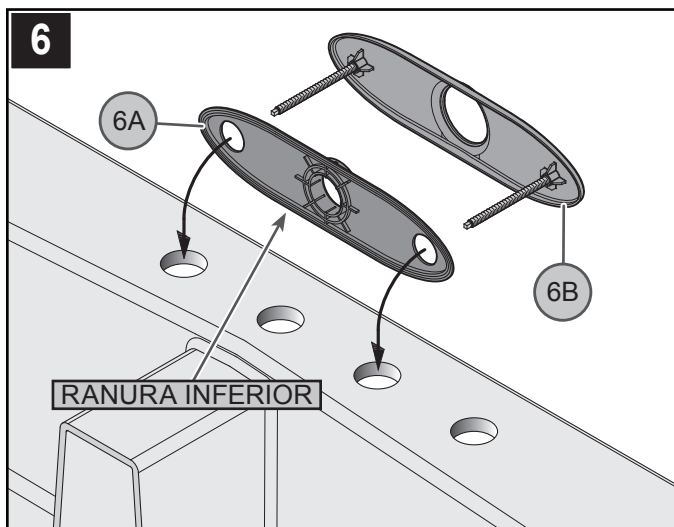
Opción 1:
Instalación En 4 Agujeros
Con Placa De Cubierta

Continúe
con el
Paso 6

Opción 2:
Instalación En 2 Agujeros
Con El Poste Único

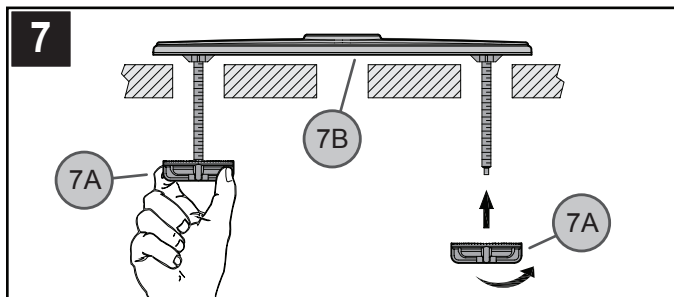
Continúe
con el
Paso 8

INSTALACIÓN EN 4 AGUJEROS



6 INSTALACIÓN DE LA PLACA DE CUBIERTA

Verifique que la placa de plástico para masilla (6A) esté oprimida sobre la placa de cubierta (6B). Aplique un cordón de masilla de plomería en la ranura a lo largo del borde exterior de la placa para masilla (6A). Instale la placa de cubierta (6B) sobre los tres agujeros en el fregadero.



7 SUJECIÓN DE LA PLACA A LA CUBIERTA

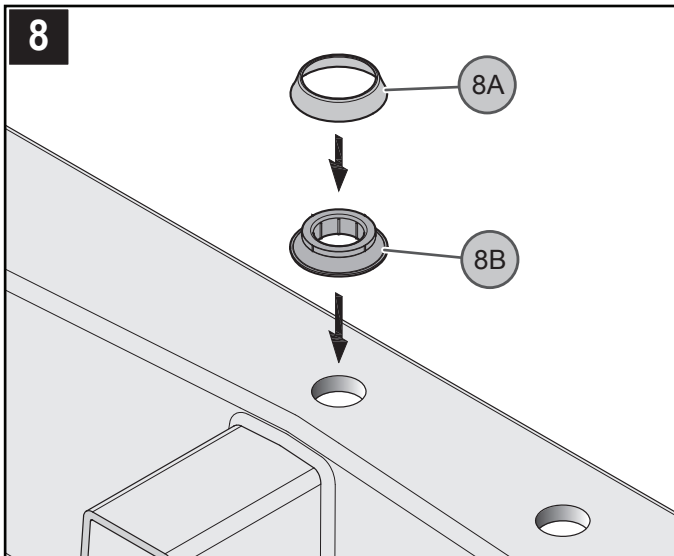
Apriete las tuercas de mariposa (7A) con la mano desde debajo del fregadero. **Precaución:** No apriete demasiado las tuercas de mariposa. Quite el exceso de masilla de alrededor del borde exterior de la placa para masilla (7B).

ALTO Continúe con el Paso 9

ESPAÑOL

INSTALACIÓN EN 2 AGUJEROS

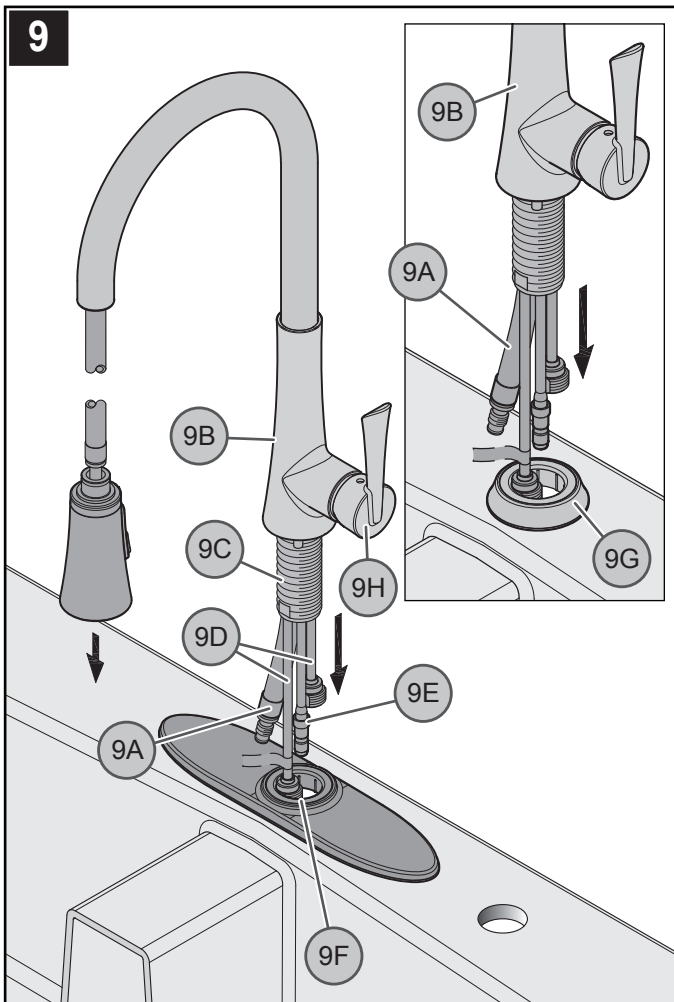
8



8 INSTALACIÓN DEL ANILLO DE MONTAJE

Coloque el anillo de montaje (8A) sobre el aro para masilla (8B) y el agujero del fregadero. Alinee el aro para masilla (8A) al centro de los agujeros del fregadero. Aplique un cordón de masilla de plomería en la ranura a lo largo del borde exterior de la empaquetadura de plástico (8B).

9

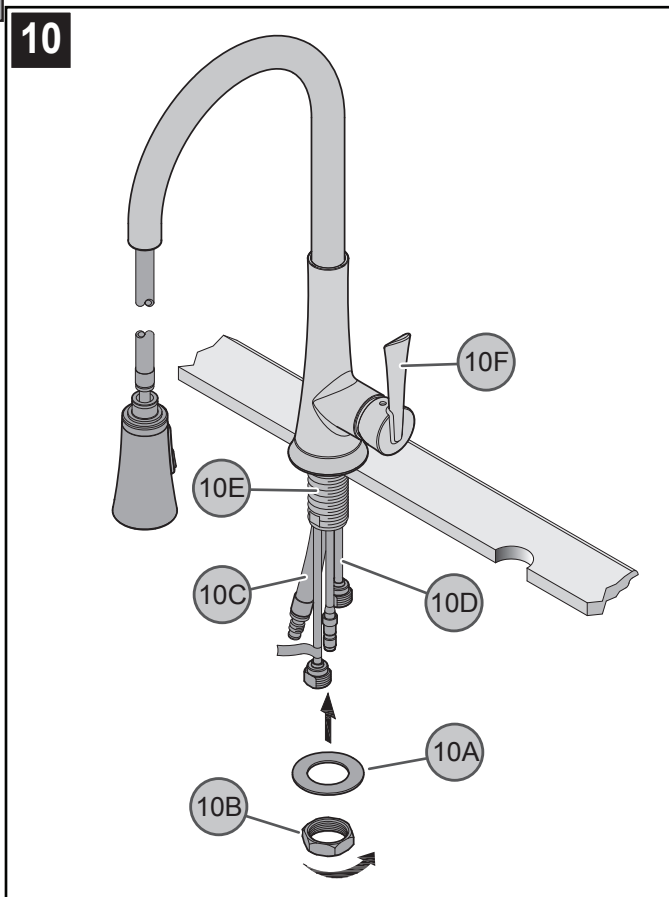


9 INSTALACIÓN DEL CUERPO DEL SURTIDOR

Recoja la manguera desmontable (9A) hacia arriba por el cuerpo del grifo (9B), hasta que el conector de la manguera quede a ras con el extremo inferior de la espiga de montaje (9C). Inserte los tubos de suministro del grifo (9D) y el tubo de recibo (9E) a través del agujero en la placa de cubierta (9F) o a través del agujero del aro de montaje (9G). La manija (9H) se puede orientar a la derecha o a la izquierda.

Nota: Todavía no introduzca la manguera desmontable (9A) nuevamente hacia abajo por el surtidor.

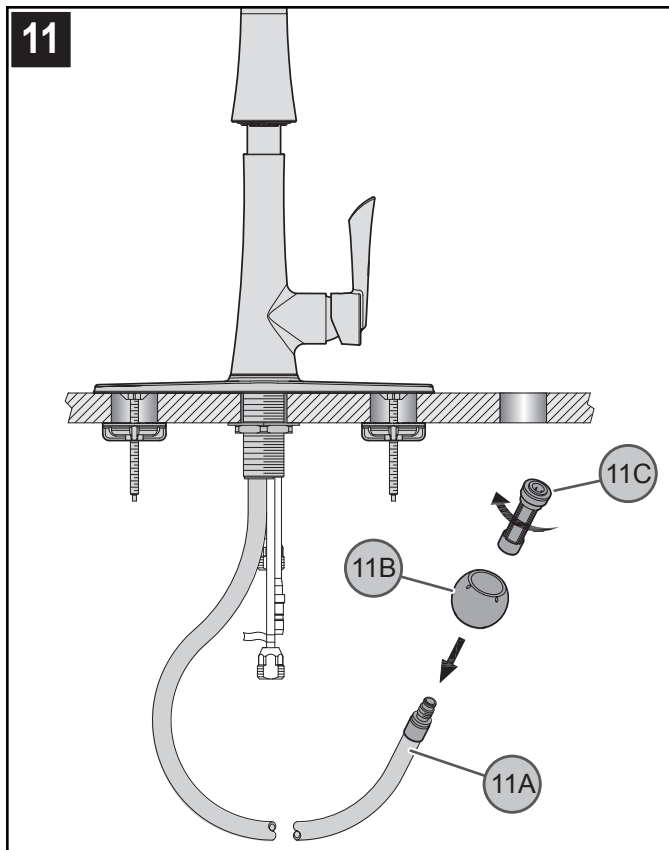
10



10 SUJECIÓN DEL CUERPO DEL DEL SURTIDOR

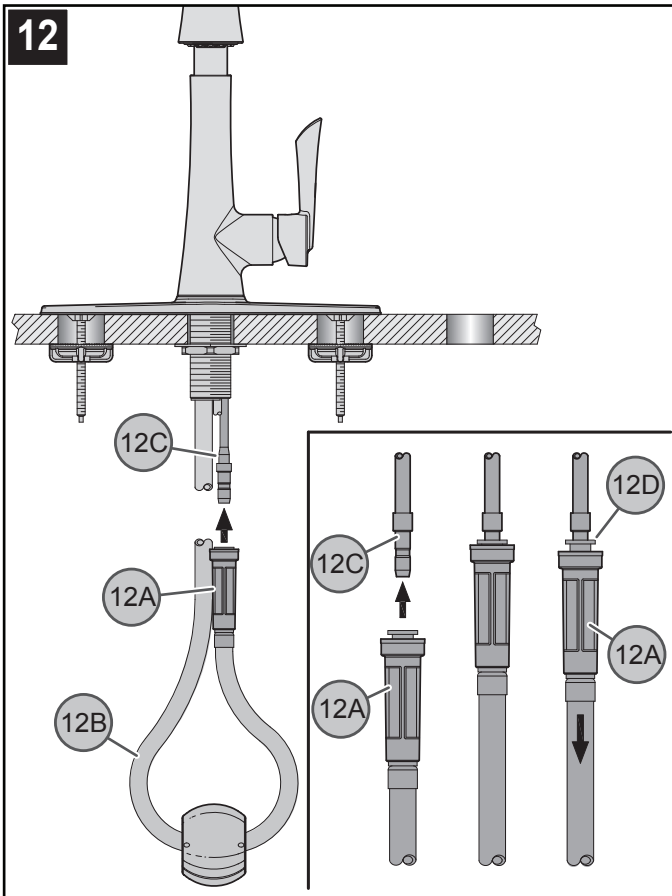
Desde abajo del fregadero, coloque la arandela (10A), la tuerca de montaje (10B) sobre la manguera (10C) y los tubos de suministro del grifo (10D). Enrosque en forma floja sobre la espiga de montaje (10E). Verifique que la manija (10F) esté alineada correctamente con el fregadero. Apriete el grifo firmemente en el fregadero.

11



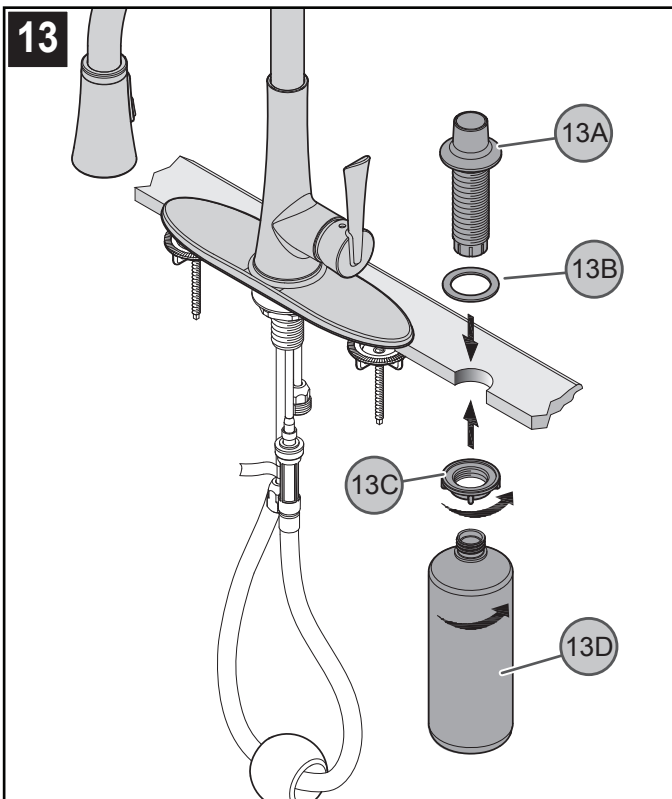
11 CONEXIÓN DEL CONTRAPESO Y CONEXIÓN RÁPIDA

Inserte el extremo de la manguera desmontable (11A) en el contrapeso (11B). Enrosque el conector rápido (11C) en el extremo de la manguera desmontable (11A).



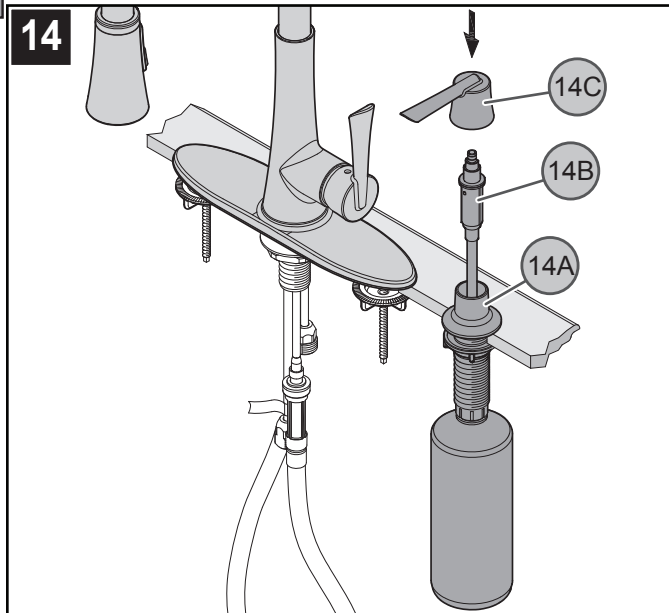
12 CONEXIÓN DE LA MANGUERA DESMONTABLE

Desde abajo del fregadero, empuje el conector rápido (12A) situada en el extremo de la manguera desmontable (12B) firmemente hacia arriba sobre el tubo de recibo (12C) hasta que ya no se pueda empujar más. Tire hacia abajo el conector rápido (12A). Si la caja y la boquilla interior (12D) se separan ligeramente pero no se desprenden del tubo de recibo (12C), la conexión rápida está firme.



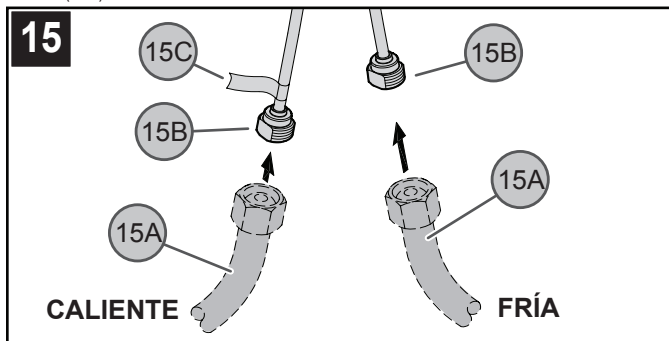
13 CÓMO INSTALAR EL DISPENSADOR DE JABÓN

Introduzca la espiga roscada (13A) del dispensador de jabón en el empaque (13B) contra espuma y el agujero del fregadero. Apriete la tuerca (13C) y enrosque la botella (13D) a la espiga (13A).



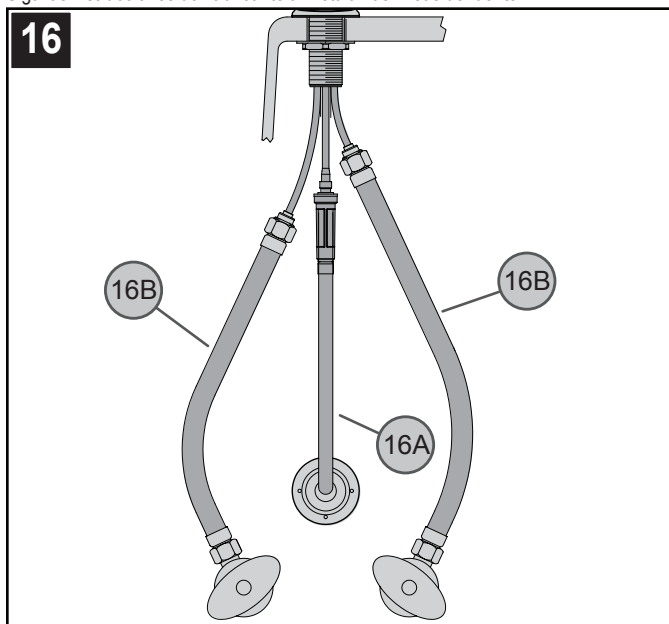
14 CÓMO INSTALAR EL CABEZAL DEL DISPENSADOR DE JABÓN

Vierta el jabón líquido (no incluido) en el cuerpo del dispensador del jabón (14A). Inserte el mecanismo de la bomba (14B) en el cuerpo del dispensador del jabón (14A). Instale la cabeza del dispensador (14C) empujando firmemente sobre el mecanismo de la bomba (14B).



15 CONEXIONES DE SUMINISTRO DE AGUA

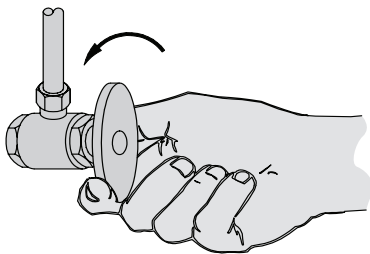
Separe suavemente los tubos de suministro de agua caliente y fría (15A) aproximadamente tres pulgadas. Conecte las tuberías de suministro de agua (15A) a las entradas del grifo (15B). Conecte la línea de suministro de agua caliente al conector de entrada de agua caliente (15C) indicado con la etiqueta roja. (Las tuberías de suministro no está incluidos). Siga las instrucciones del fabricante al instalar las líneas de fuente.



16 INSTALACIÓN SEGURA DE LAS LÍNEAS DE ENTRADA

No cruce la conexión de la manguera desmontable (16A) con los tubos de suministro de entrada (16B) para evitar el atascamiento, las obstrucciones y la interferencia con el movimiento de la manguera desmontable (16A).

17

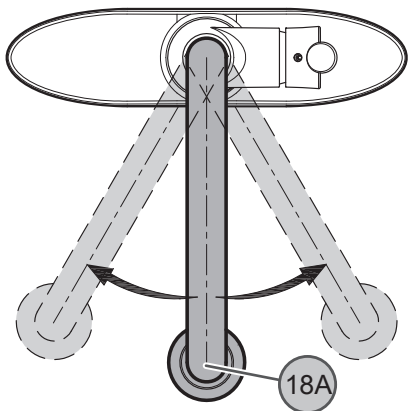


17 CÓMO ENCENDER LA UNIDAD

Active el suministro de agua fría y caliente y verifique que no hay fugas arriba y abajo del fregadero.

FUNCIONES DEL GRIFO

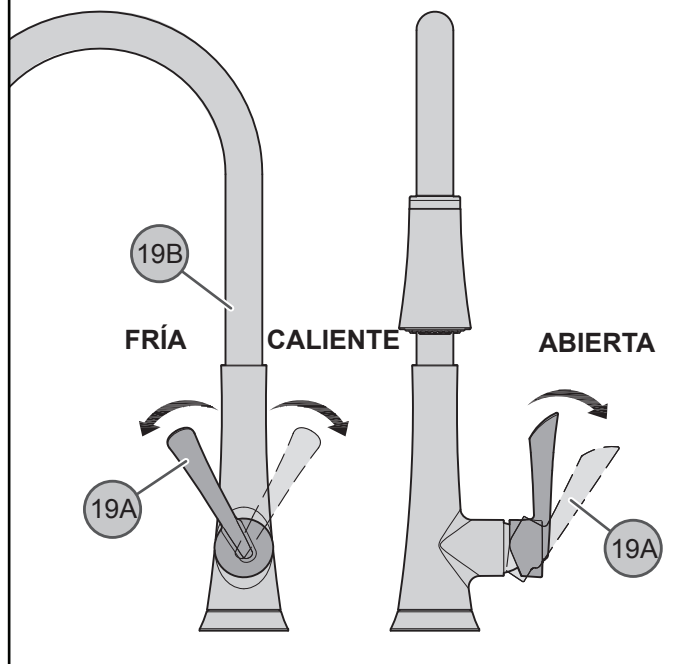
18



18 FUNCIÓN DEL SURTIDOR

El surtidor (18A) puede girarse alrededor del cuerpo del grifo en cualquier dirección.

19

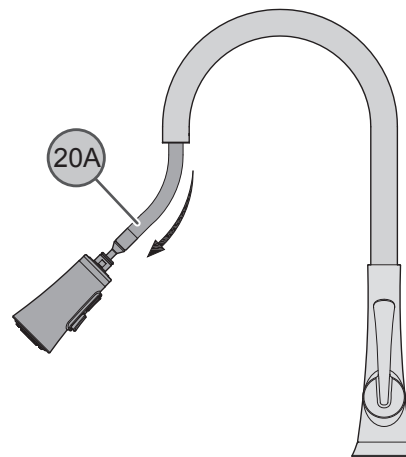


19 FUNCIÓN DE LA VÁLVULA

Rotando la manija de palanca (19A) en la dirección del opuesto del cuerpo del grifo (19B), la válvula se activará y permitirá el flujo de agua. El flujo de agua aumentará al continuar rote la manija de palanca (19A). Rotando la manija de palanca (19A) en sentido contrahorario, la temperatura del agua disminuirá hasta flujo frío únicamente. Rotando la manija de palanca (19A) en sentido horario, la temperatura del agua aumentará hasta flujo caliente únicamente.

Nota: Debe purgar el grifo antes de abrir las válvulas (consulte al paso 24).

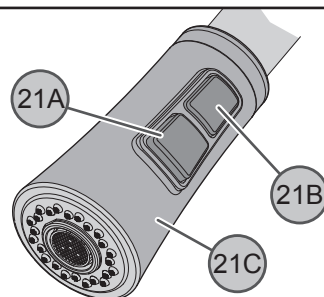
20



20 FUNCIONAMIENTO DEL ROCIADOR LATERAL

El rociador lateral (20A) puede tirarse hacia adelante para rociar agua en cualquier dirección.

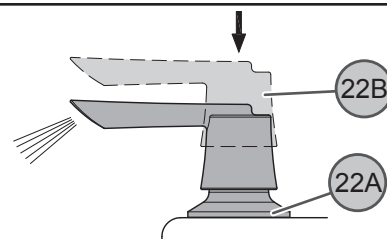
21



21 ACTIVACIÓN DEL ROCIADO

Activando la válvula, el agua fluirá en modo regular de la corriente. Para activar el modo del aerosol, presione el botón (21A) situado detrás de la cabeza de rociado (21C). Presionando el botón (21B), el patrón de aerosol cambia entre el aerosol y la corriente mientras que el grifo está en la operación. Al sostener el botón (21B), el flujo de agua se parará. El flujo del agua se reasume una vez que se libera el botón (21B).

22

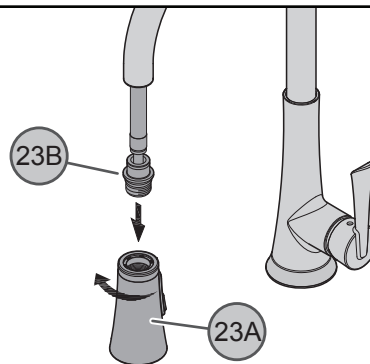


22 FUNCIONAMIENTO DEL DISPENSADOR DE JABÓN

Para activar el dispensador de jabón (22A), presione la cabeza del dispensador (22B) para rociar un poco de jabón líquido.

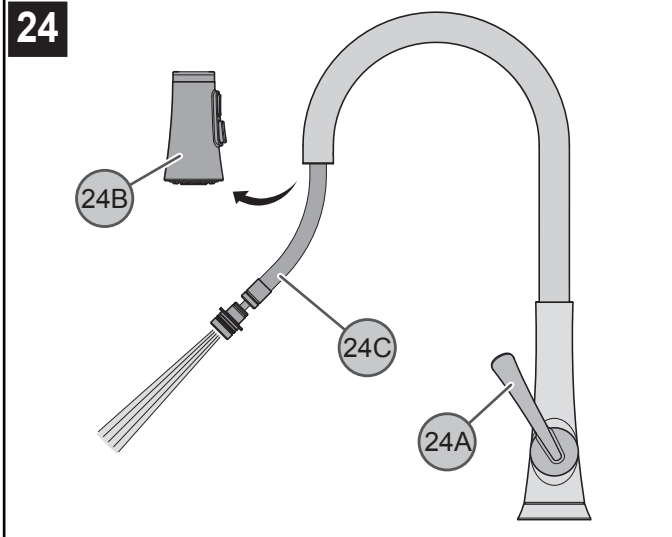
MANTENIMIENTO Y CUIDADO

23



23 RETIRO DE LA CABEZA DE ROCIADO

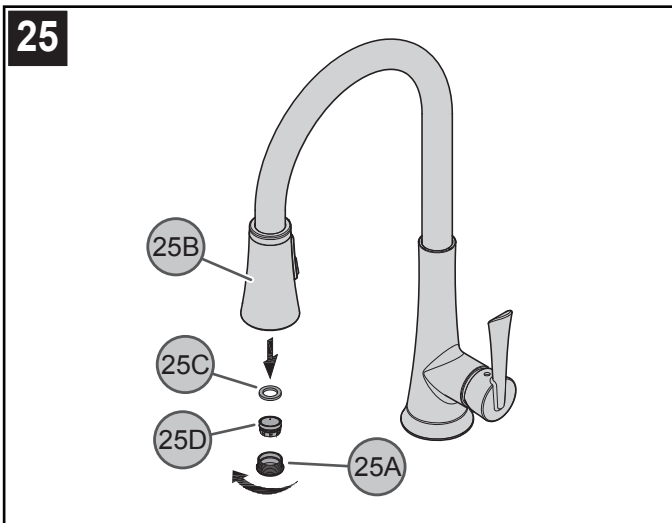
Para impedir los daños a los componentes internos del grifo debido a residuos acumulados en las líneas de agua, será necesario purgar el grifo. Para purgar es necesario quitar la cabeza de rociado (23A). Para quitar la cabeza de rociado (23A), sostenga el conector de metal de la manguera (23B) y girar la cabeza de rociado (23A) en sentido contrahorario.



24 ENJUAGUE

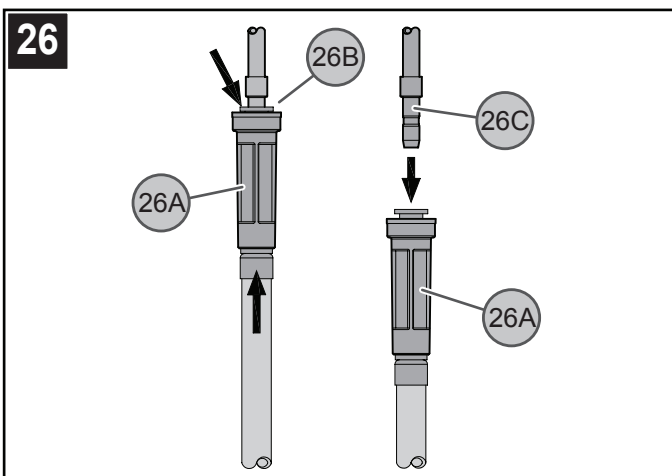
Gire la manija palanca de la válvula (24A). Deje correr el agua durante un minuto. Repita en las posiciones caliente y fría. Reinstale la cabeza de rociado (24B) en la manguera desmontable (24C) girando la cabeza de rociador de la manguera (24C) en sentido horario.

Precaución: No apriete demasiado la cabeza de rociado / manguera desmontable.



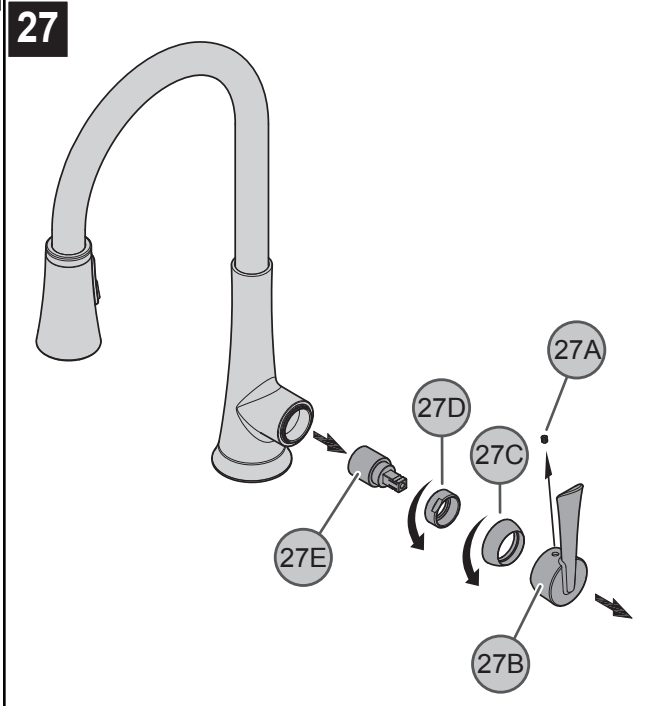
25 LIMPIEZA DEL AIREADOR

Con el tiempo, el aireador en el grifo podría taparse con residuos. Para limpiar el aireador, destornille la caja del aireador (25A) de la cabeza de rociado (25B). Quite el sello del aireador (25C) y el cartucho del aireador (25D) de la caja del aireador (25A). Limpie el cartucho del aireador (25D) y el anillo de rociado (25A). Arme siguiendo los pasos en orden inverso.



26 RETIRO DE LA MANGUERA DESMONTABLE

Para quitar el accesorio de conexión rápida, Empuje hacia arriba el conector rápido (26A). Manteniendo la boquilla de plástico (26B) en posición, empuje hacia abajo el conector rápido (26A) hasta que el tubo (26C) se desprenda.



27 REEMPLAZO DEL CARTUCHO

Cierre los suministros de agua y alivie la presión antes de trabajar en el grifo. Con una llave hexagonal de 3/32 pulg., quite el tornillo de fijación (27A) y retire la manija (27B). Quite la tapa en forma de cúpula (27C) destornillándola en sentido contrahorario. Destornille el anillo de retención (27D) y quite el cartucho (27E) con cuidado jalándolo en forma recta hacia arriba y hacia afuera. Reensamble siguiendo los pasos en orden inverso.



PRECAUCIÓN: Mantenimiento CÓMO DESARMAR:

1. El almacén donde compró su grifo podría tener repuestos disponibles.
2. Cuando no hay repuestos disponibles, sírvase escribir o llamar al departamento de servicio al consumidor de Price Pfister.
3. **Siempre antes de efectuar algún trabajo en su grifo, cierre el agua y elimine la presión.**



NOTA: Cuidado del Acabado

Instrucciones para limpieza:

Para limpiar y hacer brillar las manijas y el acabado decorativo use solamente un paño suave y húmedo. El uso de pulidores, detergentes, limpiadores abrasivos, solventes orgánicos o ácidos puede provocar daños. ¡El uso de algo más que un paño suave y húmedo invalida nuestra garantía!

Acabados especiales:

Los productos con acabados que contienen porcelana u otras sustancias similares no son aceptables para áreas públicas ni para usos comerciales. ¡Su instalación bajo tales circunstancias es bajo el riesgo del usuario!



1-800-PFAUCET (1-800-732-8238)

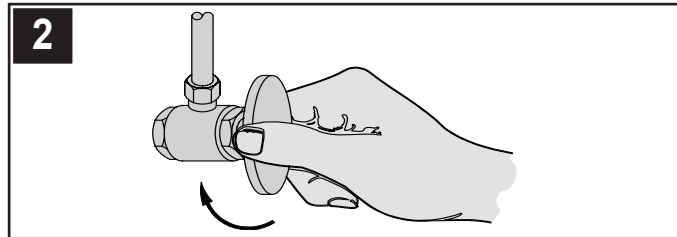
Para obtener información mediante llamadas gratis, llame al 1-800-PFAUCET (1-800-732-8238) o visite www.pricepfister.com

- Apoyo a instaladores
- Información sobre cuidado y garantías

Merci d'avoir acheté ce produit Price Pfister. Tous les produits Price Pfister sont fabriqués avec soin et contrôlés à l'usine pour offrir une longue durée de service sans problème dans des conditions d'utilisation normales. Il est facile de poser ce produit à l'aide d'un outillage de base et de nos illustrations très claires. Pour toute question concernant ce produit, appeler le 1-800-Pfaucet (1-800-732-8238).

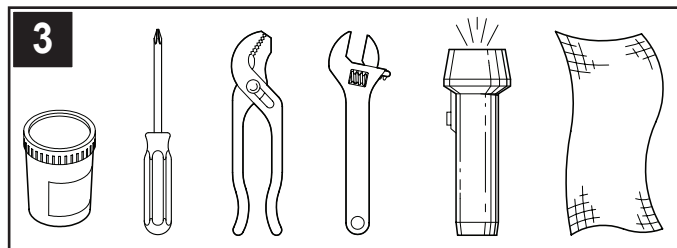
1 AVANT DE PROCÉDER À LA POSE

AVERTISSEMENT : lire attentivement toutes les instructions avant de procéder à la pose. Price Pfister recommande de faire appel à un professionnel en cas d'incertitude quant à l'installation de ce produit !
Ce produit doit être installé conformément à l'ensemble de la réglementation locale et provinciale applicable à la plomberie et à la construction.



2 COUPURE DE L'ARRIVÉE D'EAU

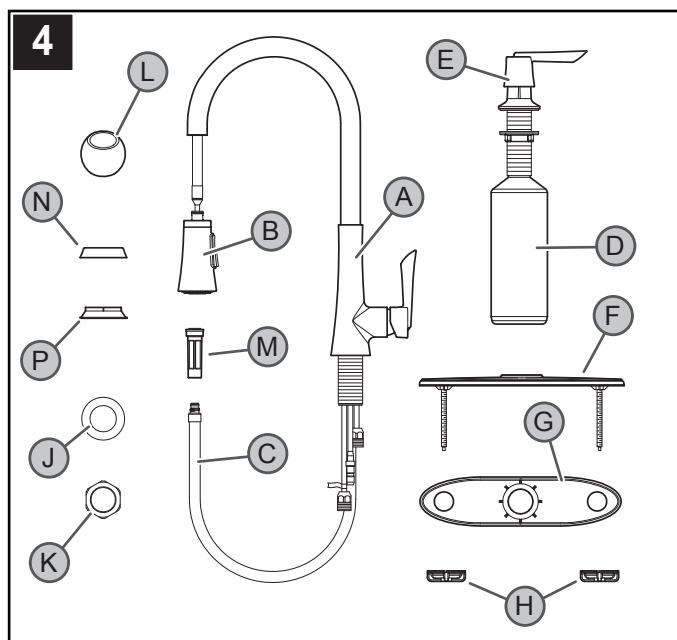
Repérer les arrivées d'eau et fermer leurs robinets. Ces robinets se trouvent généralement sous le lavabo ou à côté du compteur d'eau. En cas de remplacement d'un robinet existant, le déposer du lavabo et nettoyer soigneusement la surface de ce dernier.



3 OUTILLAGE RECOMMANDÉ

- Mastic de plombier
- Tournevis cruciforme
- Pince
- Clé à molette
- Lampe de poche
- Chiffon

L'installation peut exiger des tuyaux d'arrivée et/ou des vannes d'arrêt neufs ou d'autres outils.



4 VÉRIFICATION DU CONTENU DE LA BOÎTE

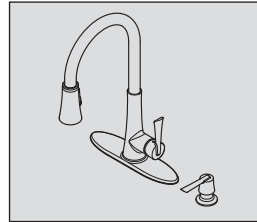
Lors de l'ouverture de la boîte, vérifier son contenu pour s'assurer que toutes les pièces suivantes accompagnent le mitigeur :

A Corps du bec	B Douchette	C Flexible extensible
D Distributeur de savon	E Tête d distributeur de savon	F L'applique
G Plaque de masticage	H Écrous à oreilles (2X)	J Rondelle métallique
K Écrou de montage	L Mass	M Connecteur rapide
N Bague de montage	P Bague de mastic	

Si l'une quelconque de ces pièces manque, bien vouloir contacter le département du service après-vente de Price Pfister au 1-800-Pfaucet (1-800-732-8238).

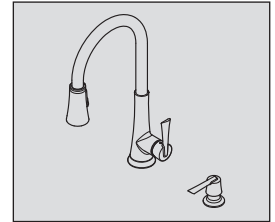
5

Ces instructions s'appliquent à deux installations différentes :



Option 1 :
Installation 4 Trous
Avec Applique

Passer à
l'étape 6

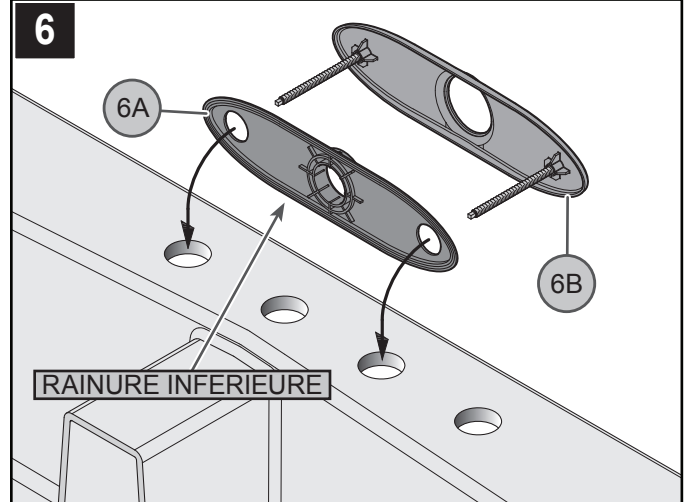


Option 2 :
Installation 2 Trous Avec
le Poste Unique

Passer à
l'étape 8

INSTALLATION 4 TROUS

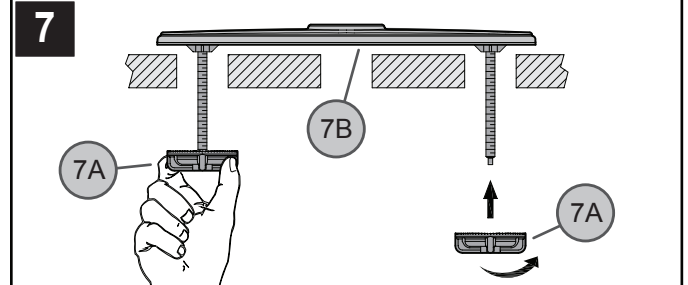
6



6 POSE DE L'APPLIQUE

S'assurer que la plaque de masticage en plastique (6A) est appuyée sur l'applique (6B). Appliquer un cordon de mastic de plombier dans la rainure qui longe le bord extérieur de la plaque de masticage (6A). Mettre l'applique (6B) en place par-dessus les 3 trous de l'évier.

7



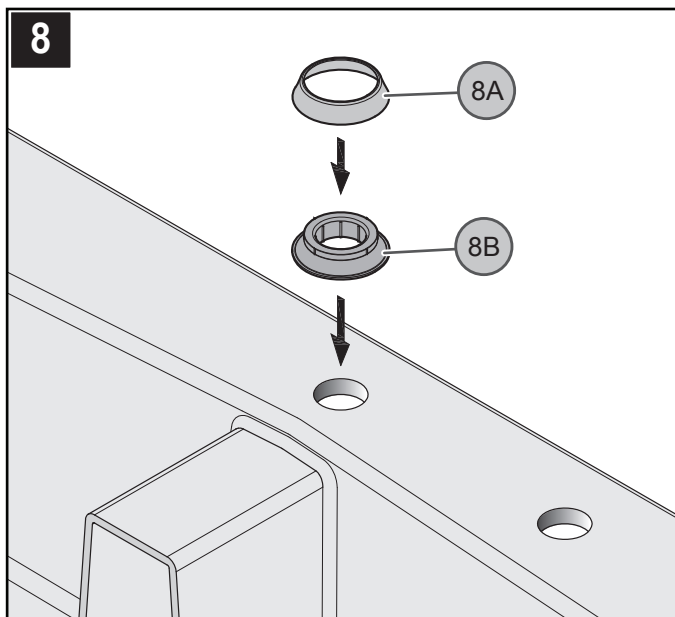
7 FIXATION DE L'APPLIQUE AU PLATEAU DE MONTAGE

Depuis le dessous de l'évier, serrer les écrous à oreilles (7A). Attention : ne pas trop serrer les écrous à oreilles. Enlever tout excédent de mastic du pourtour du Plaque de masticage (7B).

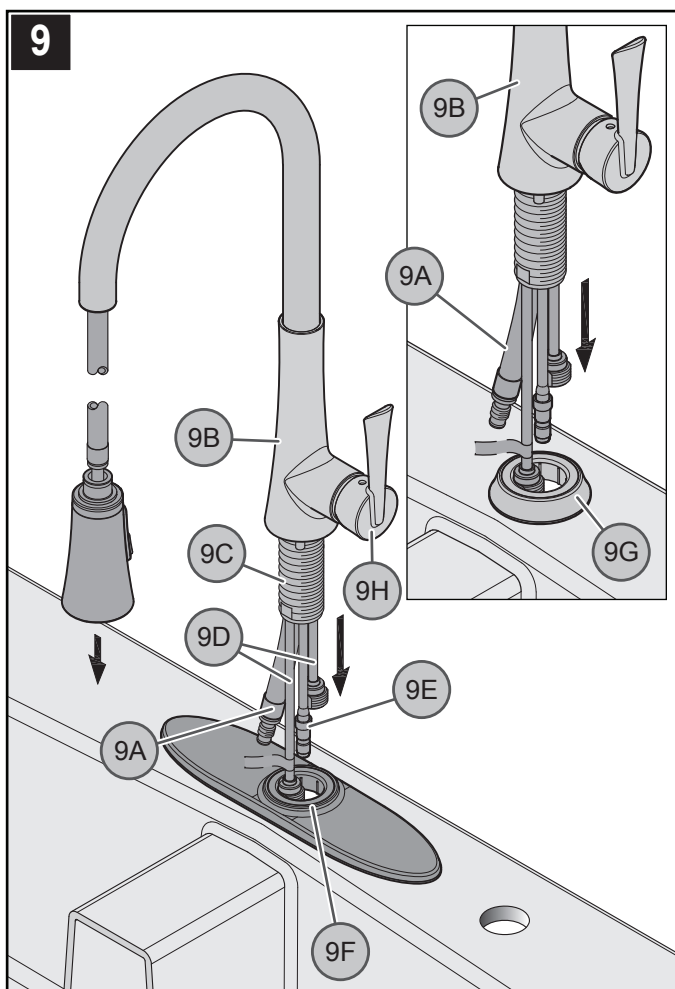
STOP

Passer à l'étape 9

INSTALLATION 2 TROUS

**8 POSE DE L'ANNEAU DE MONTAGE**

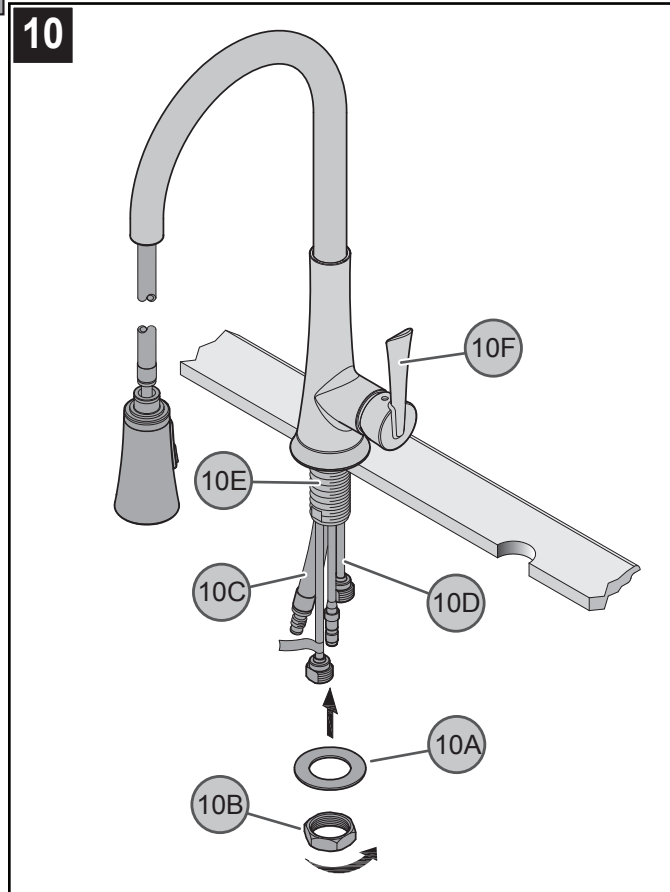
Placer l'anneau de montage (8A) par-dessus le bague de mastic (8B) et le trou de l'évier. Aligner le bague de mastic (8A) sur le centre des trous de l'évier. Appliquer un cordon de mastic de plombier dans la rainure qui longe le bord extérieur de le joint en plastique (8B).

**9 INSTALLATION DU CORPS DU BEC**

Rétracter le flexible extensible (9A) en le faisant remonter dans le corps (9B) du mitigeur jusqu'à ce que son raccord affleure au bas de la queue de montage (9C). Insérer les tubes (9D) d'arrivée au mitigeur et le tube récepteur (9E) dans le trou de l'applique (9F) ou bague de montage (9G). De la poignée (9H) peut être orientée à droite ou à gauche.

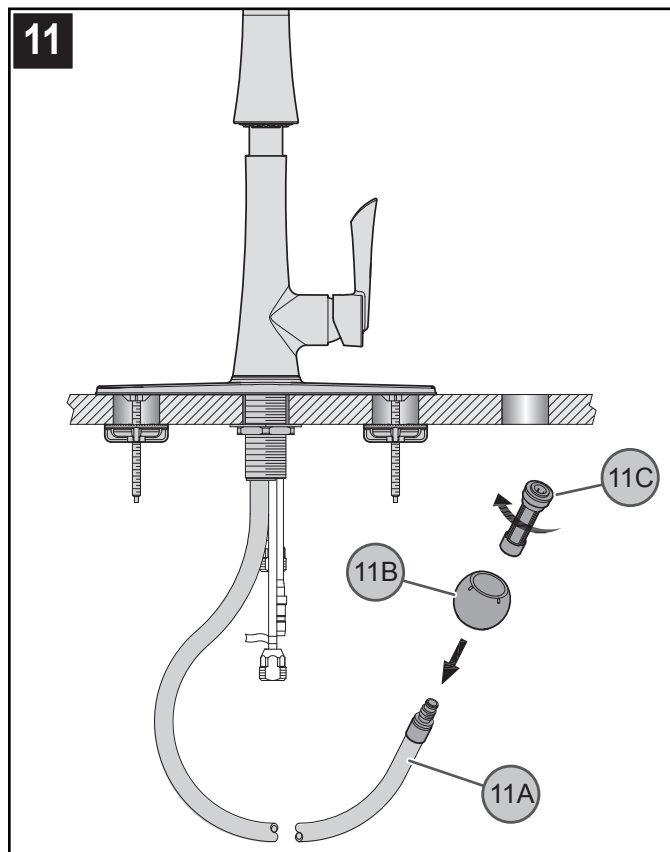
Remarque : ne pas encore faire redescendre le flexible extensible (9A) par le bec.

10

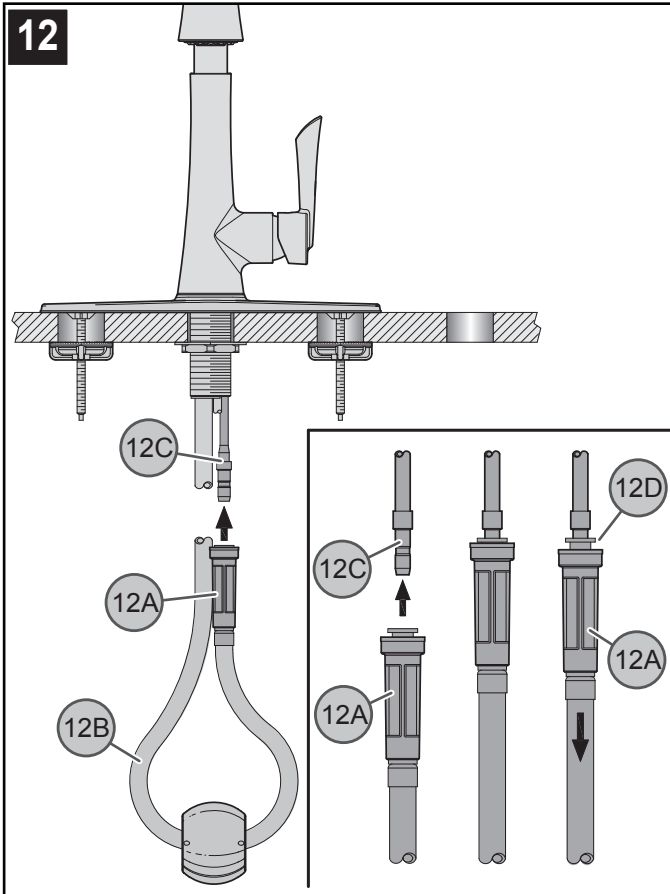
**10 FIXATION DU CORPS DU BEC**

Depuis le dessous de l'évier, poser la carré rondelle (10A) et le gros écrou en laiton (10B) par-dessus le tuyau (10C). Les serrer partiellement sur la queue de montage (10D) du mitigeur. Assurez-vous la queue de montage (10E) est correctement alignée sur l'évier (10F). Serrer fermement le mitigeur sur l'évier.

11

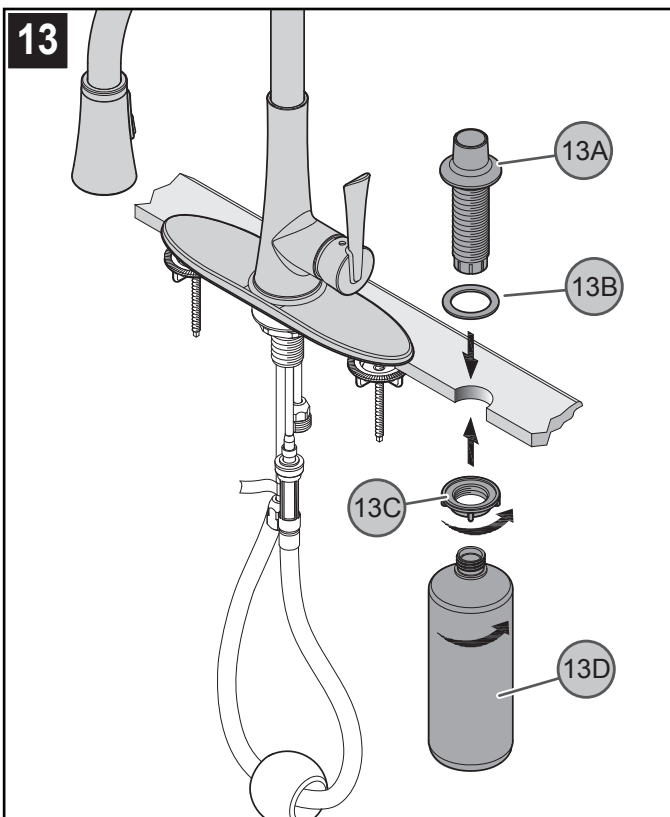
**11 FIXATION DE LA MASSE ET RACCORD RAPIDE**

Insérer l'extrémité du flexible extensible (11A) dans la masse (11B). Les serrer le boîtier le connecteur rapide (11C) à l'extrémité du flexible extensible (11A).



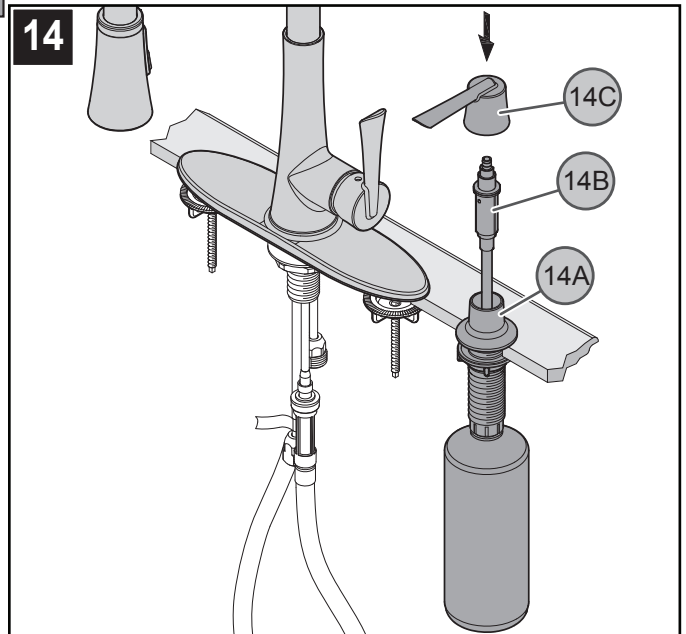
12 RACCORDEMENT DU FLEXIBLE EXTENSIBLE

Depuis le dessous de l'évier, pousser le connecteur rapide (12A) qui se trouve à l'extrémité du flexible extensible (12B) fermement à fond vers le haut sur le tube récepteur (12C). Tirer vers le bas sur le connecteur rapide (12A). Si le boîtier et le récepteur intérieur (12D) se séparent légèrement sans se désaccoupler le raccord rapide du tube récepteur (12C), est bien assujéti.



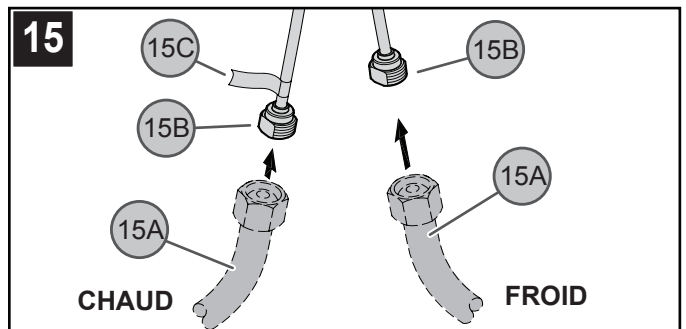
13 POSE DU DISTRIBUTEUR DE SAVON

Introduire la tige filetée (13A) du distributeur de savon dans le joint en mousse (13B) et le trou de l'évier. Serrer l'écrou (13C) et le visser sur le réservoir (13D) à la tige (13A).



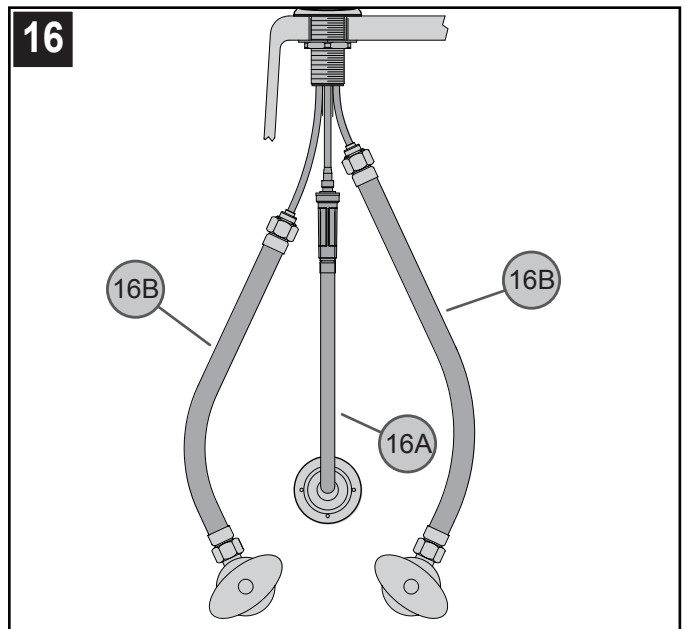
14 POSE DE LA TÊTE DU DISTRIBUTEUR DE SAVON

Versez le savon liquide (non inclus) dans le corps de distributeur de savon (14A). Insérez le mécanisme de pompe (14B) dans le corps de distributeur de savon (14A). Installez la tête de distributeur (14C) en poussant fermement sur le mécanisme de pompe (14B).



15 RACCORDEMENTS DES ARRIVÉES D'EAU

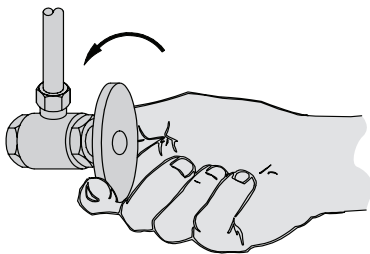
Écarter avec précaution les tubes d'arrivée d'eau chaude et d'eau froide (15A) d'environ 7,6 cm (3 po). Raccorder les tuyaux d'arrivée d'eau (15A) aux entrées du robinets (15B). Raccorder le tuyau d'arrivée d'eau chaude au raccord correspondant (15C) indiqué par l'étiquette rouge. (Les tuyaux d'arrivée d'eau et les raccords ne sont pas fournis). Veuillez suivre les instructions du fabricant quand installant les robinets d'arrivée.



16 FIXATION DES TUYAUX D'ARRIVÉE

Ne pas croiser le branchement (16A) du flexible extensible et les tuyaux d'arrivée d'eau (16B) pour éviter qu'ils se coincent et que le mouvement du flexible extensible soit gêné.

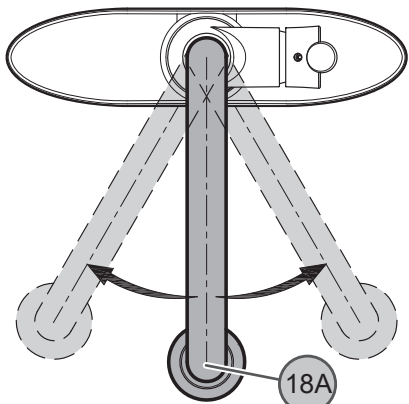
17

**17 MISE EN SERVICE DU MÉLANGEUR**

Ouvrir les robinets d'arrivée d'eau chaude et d'eau froide, puis vérifier le dessus et le dessous du lavabo pour voir s'il y a des fuites.

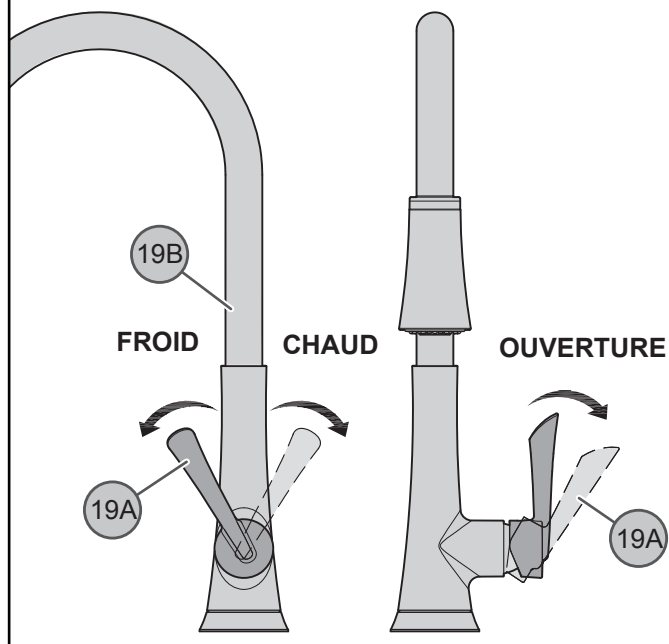
FONCTIONNEMENT DES ROBINETS

18

**18 FONCTIONNEMENT DU BEC**

Le bec (18A) peut pivoter dans n'importe quel sens autour du corps du mitigeur.

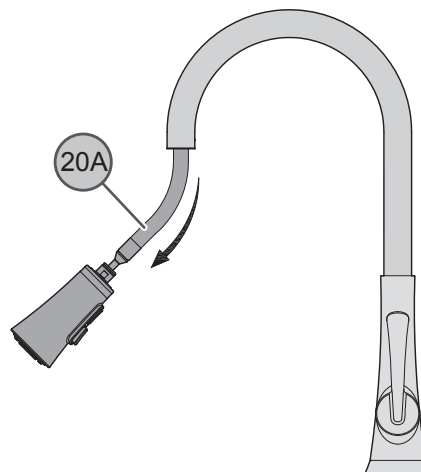
19

**19 FONCTIONNEMENT DU ROBINET**

En tournant de la manette (19A) dans la direction de l'opposité du corps du robinet (19B), active le robinet pour permettre à l'eau de couler. Le débit augmente au fur et à mesure que tourné la manette (19A). Lorsqu'on tourne la manette (19A) dans le sens antihoraire, la température de l'eau baisse jusqu'à ce que celle-ci soit tout à fait froide. Lorsqu'on tourne la manette (19A) dans le sens horaire, la température de l'eau augmente jusqu'à ce que celle-ci soit très chaude.

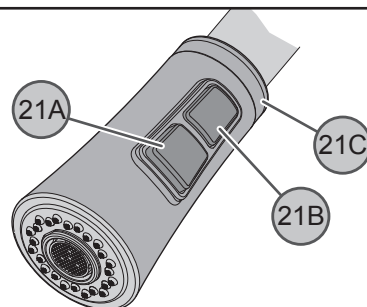
Remarque : Il doit purger le robinet avant d'ouvrir les valves (consultez au pas 24).

20

**20 FONCTIONNEMENT DE LA DOUCHETTE LATÉRALE**

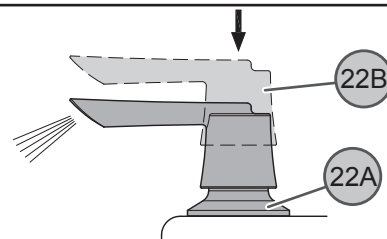
La douche latérale (20A) peut être tirée vers l'avant pour pulvériser de l'eau dans toute direction.

21

**21 ACTIVATION DE LA PULVÉRISATION**

En activant la valve, l'eau coulera en manière régulière du flux. Pour activer le mode de jet, appuyez sur le bouton (21A) situé derrière la dépose de la douche (21C). En pressant le bouton (21B), le patron d'aérosol change entre du flux et de jet tandis que le robinet est dans l'opération. En soutenant le bouton (21B), le flux de l'eau sera arrêté. L'écoulement de l'eau reprendra une fois que le bouton (21B) est libéré.

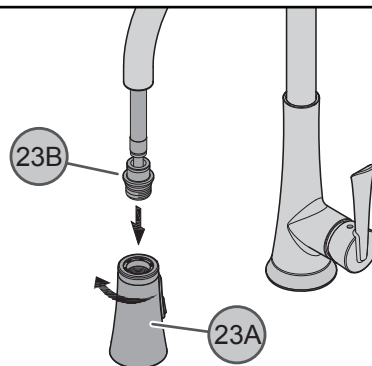
22

**22 FONCTIONNEMENT DU DISTRIBUTEUR DE SAVON**

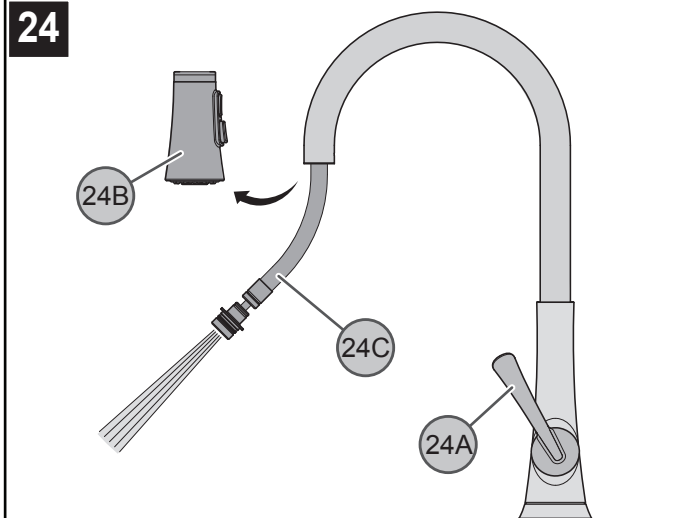
Pour activer le distributeur de savon (22A), pressez la tête du distributeur (22B) pour arroser un peu de savon liquide.

ENTRETIEN ET SOINS

23

**23 DÉPOSE DE LA DOUCHETTE**

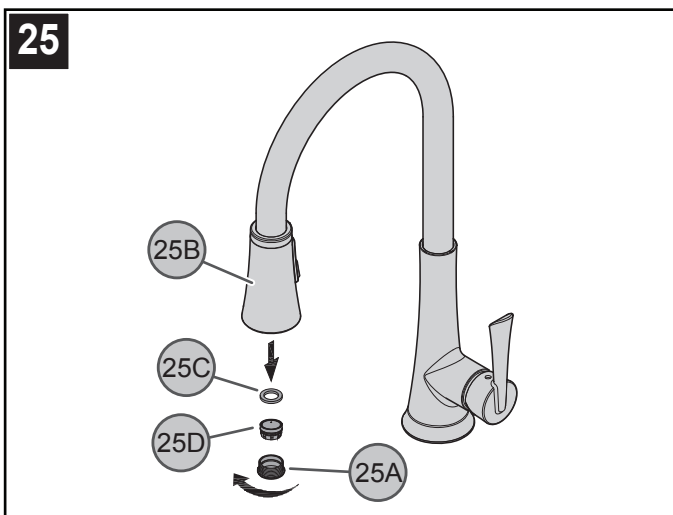
Pour éviter que les pièces internes du mitigeur ne soient endommagées par des débris pouvant s'être accumulés dans les tuyauteries d'eau, il est nécessaire de rincer le mitigeur. Ce rinçage exige la dépose de la douche (23A). Tenez le raccord métallique (23B) pour déposer la douche (23A), tourner le raccord la douche (23A) dans le sens antihoraire.



24 RINCAGE

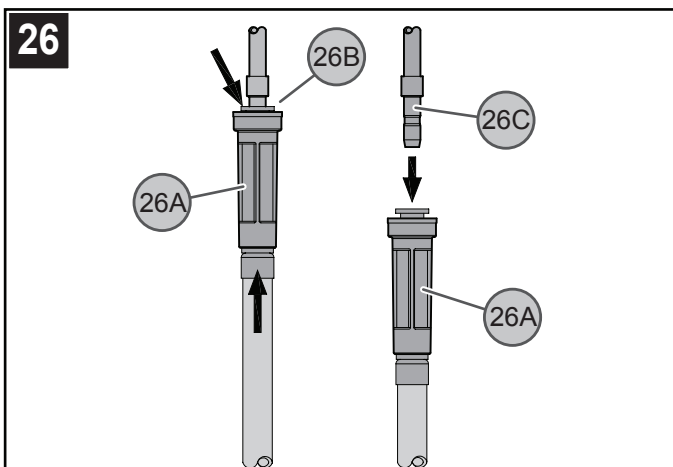
Mettez en marche la poignée de levier de valve (24A). Faire couler l'eau pendant une minute. Répéter l'opération dans les positions eau chaude et eau froide. Remonter la douchette (24B) sur le flexible extensible (24C) en tournant le Douchette (24B) dans le sens horaire.

Attention : Ne pas trop serrer la douchette sur le flexible extensible.



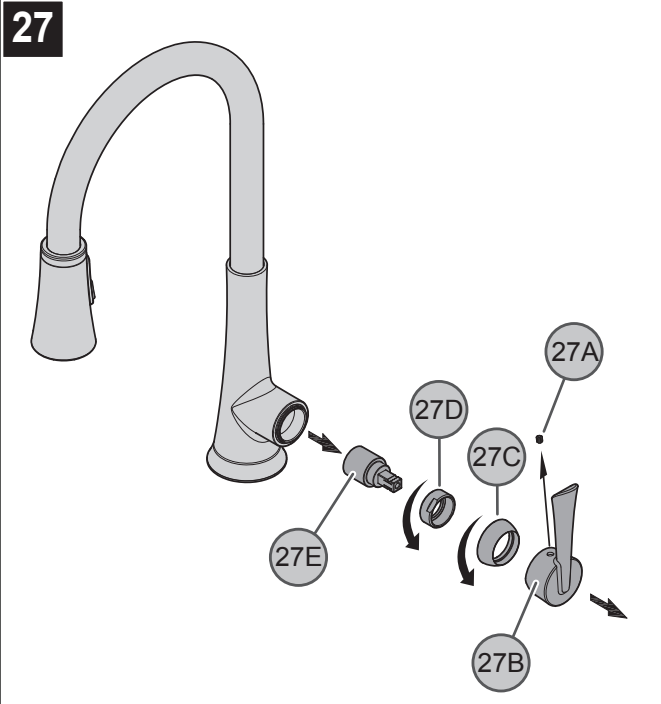
25 NETTOYAGE DE L'AÉRATEUR

Avec le temps, il peut arriver que des débris obstruent l'aérateur du mitigeur. Pour nettoyer l'aérateur, dévisser son boîtier (25A) de la douchette (25B). Dévisser le logement de l'aérateur / pulvérisateur (25C) du bas de la tête de pulvérisation (25D). Retirer le joint de l'aérateur (25A) et la cartouche de l'aérateur du logement de l'aérateur / pulvérisateur. Nettoyer la cartouche de l'aérateur (25D) et la bague de pulvérisation. Remonter en inversant l'ordre des opérations.



26 DÉBRANCHEMENT DU FLEXIBLE EXTENSIBLE

Pour débrancher le raccord rapide, pousser le connecteur rapide (26A) vers le haut. Tout en maintenant le manchon gris en plastique (26B) en place, tirer le connecteur rapide (26A) de raccord rapide vers le bas jusqu'à ce que le tube (26C) soit libéré.



27 REMPLACEMENT DE LA CARTOUCHE

Couper les arrivées d'eau et dépressuriser avant de travailler sur le mitigeur. Desserrer la vis de pression (27A) à l'aide d'une clé Allen de $\frac{3}{32}$ po et déposer la manette (27B). Retirer le capuchon bombé (27C) en le dévissant dans le sens antihoraire. Dévisser l'anneau de retenue (27D) et enlever la cartouche (27E) avec précaution en la tirant droit vers le haut.

Remonter le mitigeur en inversant l'ordre des opérations.



ATTENTION : entretien

DÉMONTAGE

1. Il se peut que les pièces de rechange soient disponibles dans le magasin dans lequel le mélangeur a été acheté.
2. Lorsque des pièces de rechange ne sont pas disponibles, bien vouloir contacter le département du service après-vente de Price Pfister par courrier ou par téléphone.
3. **Toujours couper les arrivées d'eau et dépressuriser avant de travailler sur le mélangeur.**



REMARQUE : entretien des garnitures

Instructions de nettoyage :

N'utiliser qu'un chiffon humide pour nettoyer et polir toutes les manettes et ornements décoratives. L'utilisation de pâte à polir, de détergents, de produits nettoyants abrasifs, de solvants organiques ou d'acide peut endommager ces pièces. **L'utilisation d'autre chose qu'un chiffon humide annulera la garantie !**

Garnitures spéciales : les garnitures contenant de la porcelaine ou une autre substance similaire ne sont pas acceptables dans les lieux publics ou les établissements commerciaux. La pose de telles garnitures se fait aux risques de l'utilisateur.

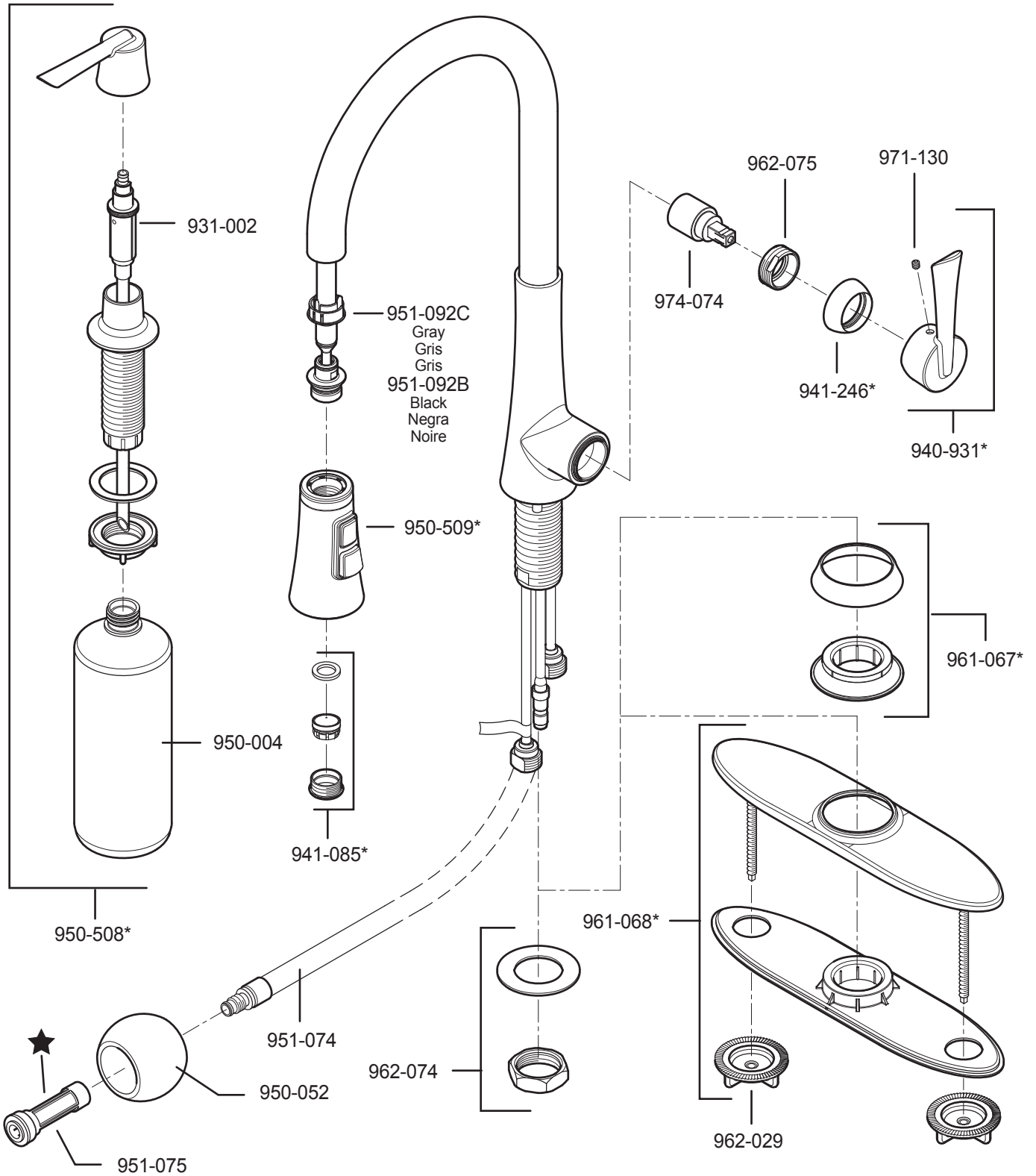


1-800-PFAUCET (1-800-732-8238)

Pour les renseignements concernant le service sans frais de Pfaucet, appelez 1-800-PFAUCET (1-800-732-8238) appel ou visitez www.pricepfister.com

- Aide pour le montage
- Renseignements sur l'entretien et la garantie

529-7MD



★ Contains ASME A112.18.3-Certified check valves
 Contiene válvulas de chequeo certificadas por ASME A112.18.3
 Contient des valves de contrôle certifiées par ASME A112.18.3

	English	Español	Français
*	Letter Designates Finish	La Letra Indica el Terminado	La Lettre Designe La Fini
A	Polished Chrome	Cromo Pulido	Chrome Poli
S	Stainless Steel	Acero Inoxidable	Acier Inoxydable

Price Pfister

19701 DaVinci
 Lake Forest, CA 92610
 Phone: 1-800-Pfaucet
 www.pricepfister.com

A **BLACK & DECKER** COMPANY