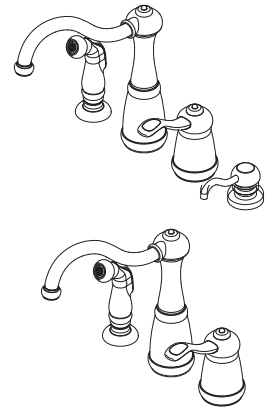


Marielle™ One Handle Kitchen Faucet

- | | |
|---|---|
| LG26-3NCC Finish(CC) <input type="checkbox"/> | LG26-4NCC Finish(CC) <input type="checkbox"/> |
| LG26-3NSS Finish(SS) <input type="checkbox"/> | LG26-4NSS Finish(SS) <input type="checkbox"/> |
| LG26-3NYY Finish(YY) <input type="checkbox"/> | LG26-4NUU Finish(UU) <input type="checkbox"/> |
| | LG26-4NYY Finish(YY) <input type="checkbox"/> |



Specifications

- Single Control
- 3 or 4-Hole Installation

Features

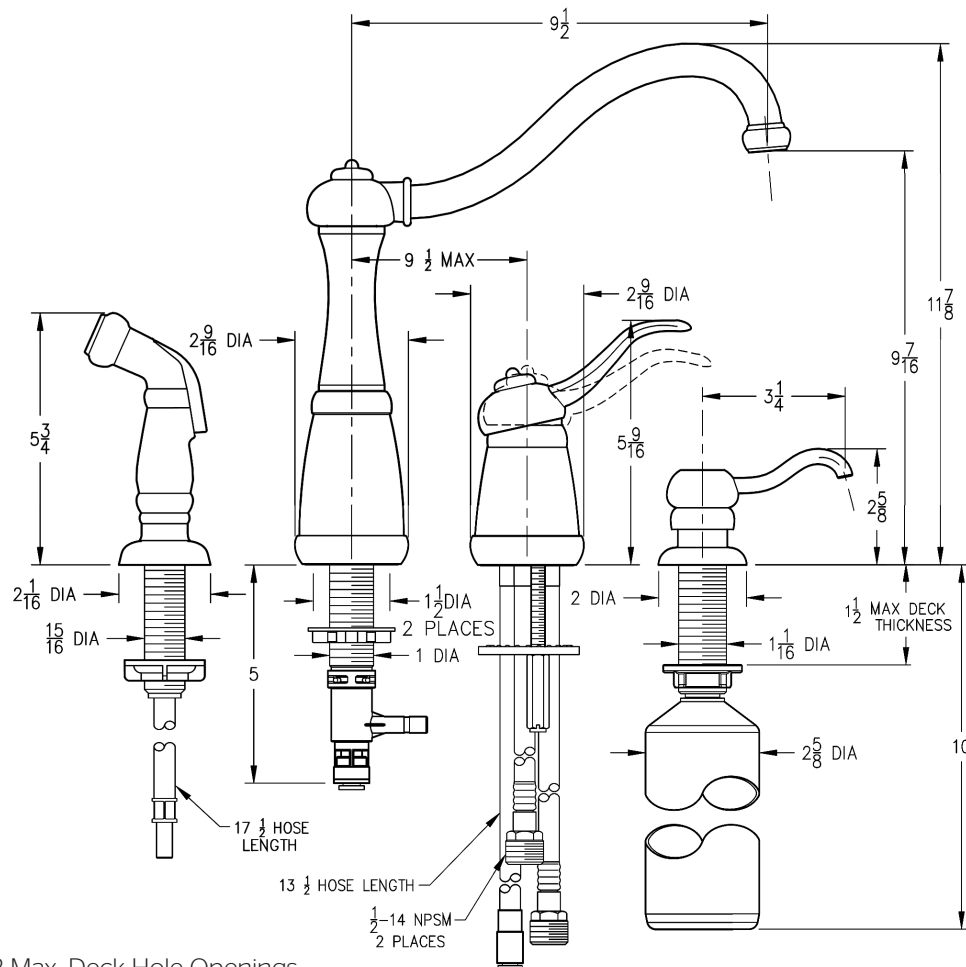
- 1.75 GPM Flow Rate
- Soap/ Lotion Dispenser Included (4N Only)
- High Arc Decorative Spout
- Flexible Stainless Steel Connections
- Quick Connect Installation
- Up to 2 1/2" of Deck Clearance
- 3-Hole Installation (3N Only)
- 4-Hole Installation (4N Only)
- Includes Matching Side Spray
- Quick Connect Side Spray
- Pforever Seal Ceramic Disc Valve
- Pforever Warranty®

Code Compliance

- Pfister products are designed and manufactured in compliance with the following standards and codes:
- IAPMO Certified
 - CSA B125 Certified
 - ASME A112.18.1
 - NSF 61/9 Annex G (Low lead)
 - CEC Compliant
 - ADA Compliant-ANSI A117.1 (Lever handles only)
 - ASME A112.18.3 (Backflow Prevention)



Dimensions



Ø1-3/8 Min to Ø1-1/2 Max. Deck Hole Openings