

PERRIN & ROWE[®] HOLBORN PRESSURE BALANCE TRIM WITH DIVERTER

Perrin & Rowe[®] Bath Holborn

U.5336NLS (Metal Lever)

U.5336NX (Cross Handle)

FEATURES

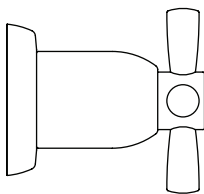
- Trim for concealed pressure balance rough valve with diverter
- Brass construction
- Showerhead to tub spout or handshower diverter
- Must order RDD-2 rough valve to complete

COLORS/FINISHES

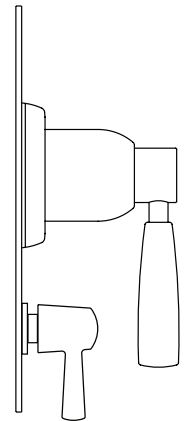
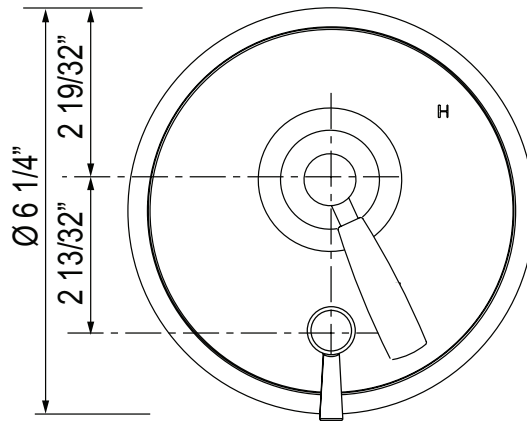
- Polished Chrome
- Polished Nickel
- Satin Nickel
- English Gold*

WARRANTY

- Limited Lifetime
- (*) 5-year Limited Warranty



X



3/32" ||