

# ROHL

The Experience of Authentic Luxury™

[www.rohlhome.com](http://www.rohlhome.com)



## PERRIN & ROWE® HOLBORN HIGH NECK WIDESPREAD LAVATORY FAUCET

Perrin & Rowe® Bath Holborn

### U.3861X (Cross Handles)

#### FEATURES

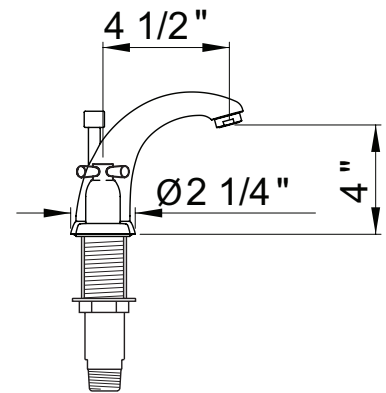
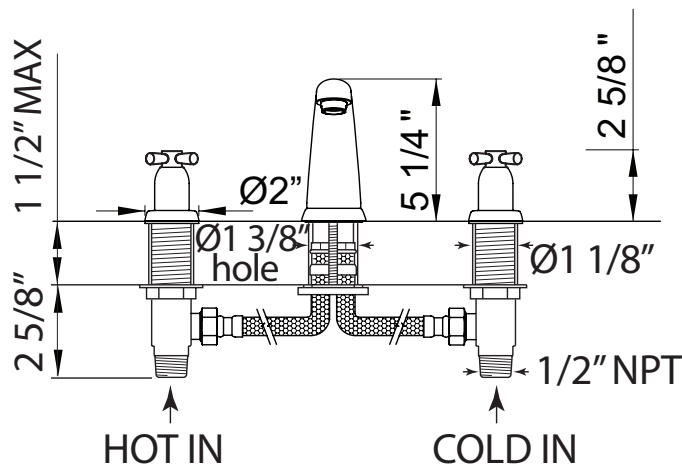
- Fixed spout
- Brass construction
- 4 1/2" spout reach
- 3 x 1 3/8" hole cutouts
- Ceramic disc control cartridges
- Matching tub filler U.3848LS or U.3849X
- 1.2 GPM
- 1/2" NPSM connections

#### COLORS/FINISHES

- Polished Chrome
- Polished Nickel
- Satin Nickel

#### WARRANTY

- Limited Lifetime



Consult your local ROHL showroom for additional information and specifications. For complete warranty details and a list of showrooms, go to [www.rohlhome.com](http://www.rohlhome.com).



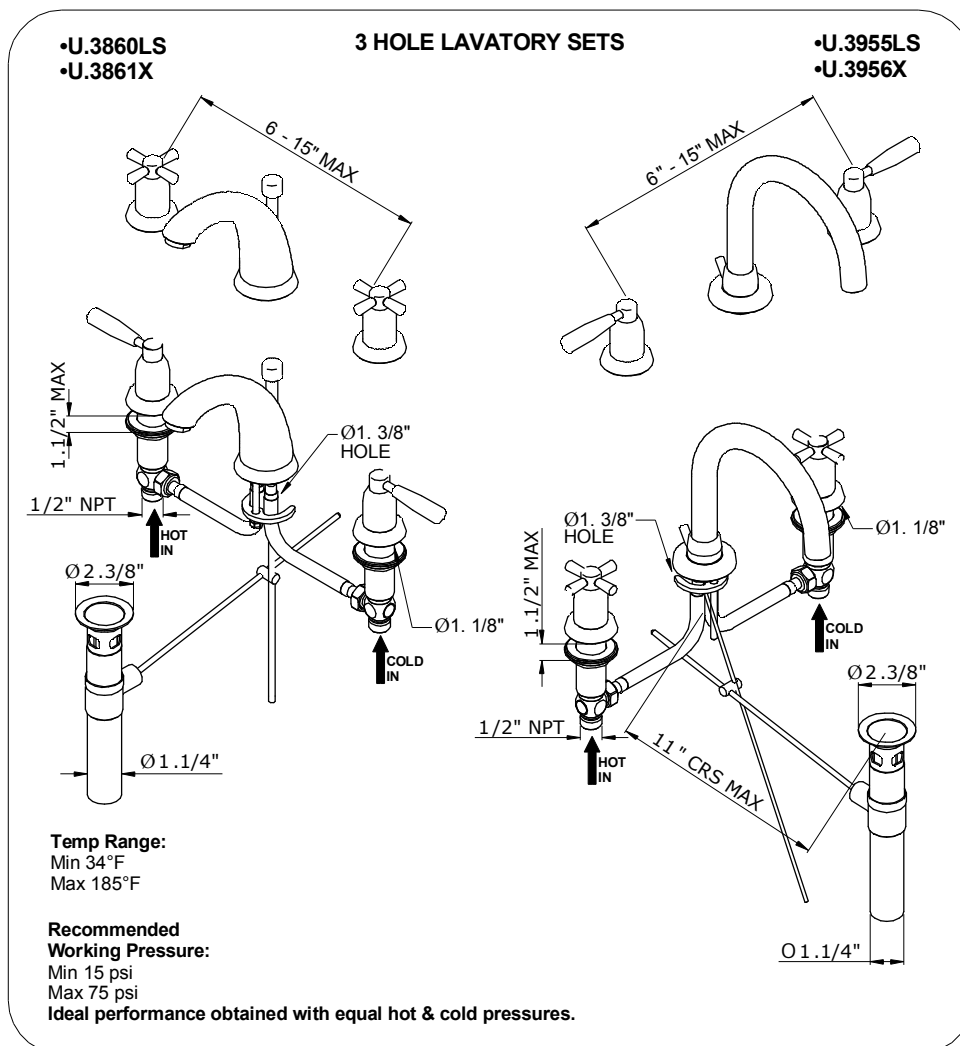
## INSTALLATION INSTRUCTIONS

# PERRIN & ROWE

MAYFAIR LONDON

### The Transitional Bathroom Collection

#### Installation & User Guide



## INSTALLATION INSTRUCTIONS

### The Transitional Bathroom Collection Installation & User Guide

*Congratulations on the purchase of your Perrin & Rowe bathroom product. Correctly installed and with sensible care, this product will give you many years of trouble free service.*

#### IMPORTANT INFORMATION

**Before you proceed... We recommend you engage the services of a registered plumber to install this product.**

**In addition to the guide below it is essential that the written information overleaf is carefully read and understood.**

**Flush the plumbing system before installation.**

#### Preparation for the installation.

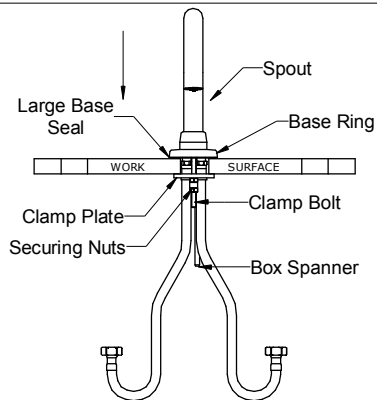


Flush the pipework before installing this faucet.



Once unpacked remove large & small base seals, rosette, hood & lever, securing nut, clamp plate, pop-up and top waste ready for installation.

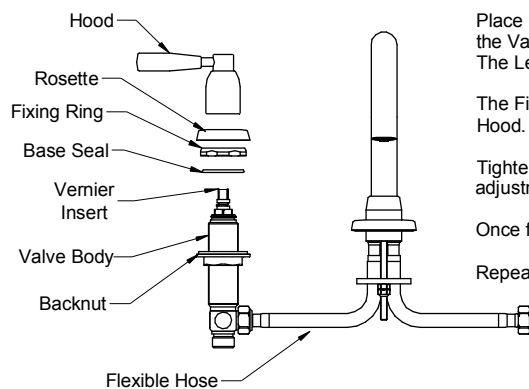
### 1



#### SPOUT

- Assemble the spout by placing the hoses through the Ø1. 3/8" hole in the work surface, ensuring the base ring & rubber seal are in place.
- Place clamp plate and securing nuts onto the clamp bolt, tighten with spanner provided to underside of work surface.

### 2



To install the side valve, remove hood, rosette, fixing ring & base seal.

Adjust the backnut to allow the valve body to be passed up through the work surface hole.

Thread on the Fixing Ring, ensuring the Base Seal is in place.

Orientate the Valve Body to allow the Flexible Hose to be connected without any kinks.

Place Rosette over the Fixing Ring then screw down the Hood onto the Valve Body ensuring the Lever or X-Top is correctly orientated. The Lever should rotate forward to turn the flow on.

The Fixing Ring can now be screwed up so the Rosette meets the Hood.

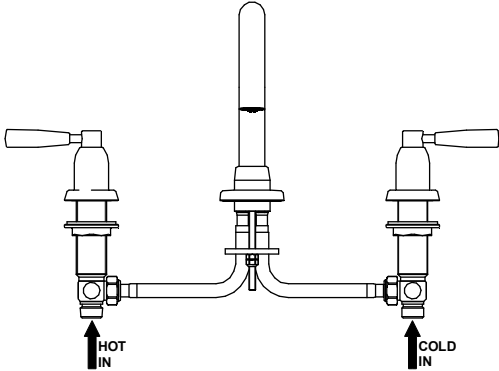
Tighten the backnut to securely fix the side valve in place, making minor adjustments to ensure the lever remains correctly orientated.

Once fully secured check that the Flexible Hose remains kink free.

Repeat this process for the other side valve.

## INSTALLATION INSTRUCTIONS

**3**



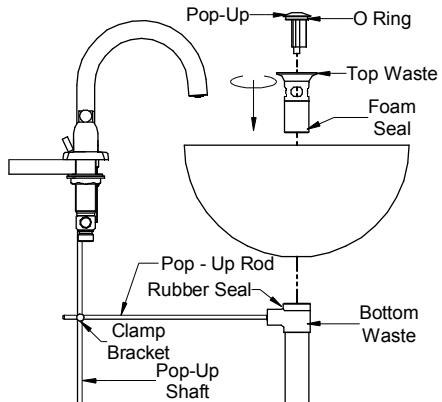
Connect and tighten the flexible hoses.

Connect HOT & COLD water supplies to the side valve inlets.

**Ensure all connections are firmly tightened.**

**Please Note:** Ceramic disc valves are fitted as standard to this mixer. Flow from FULLY OFF to FULLY ON is achieved by rotating the handles a quarter turn.

**4**



**Adjusting Sink Waste**

- Ensure that pop-up shaft is in position alongside pop-up rod.
- Shaft and rod can be cut if space is restricted.
- Secure pop-up using clamp bracket.
- Adjust position of clamp bracket to achieve maximum movement of pop-up shaft.
- Place pop-up into waste and adjust movement of pop-up shaft.

### BEFORE USE

- Carefully check the installation for leaks.
- If further building work is to be carried out in the vicinity, cover the product to avoid damaging the finish.
- Please ensure that the installation complies with local plumbing codes.

### CARE & MAINTENANCE

- Occasional cleaning with warm soapy water, followed by a polish with a soft cloth is all that is required to keep the plated finish in good condition.
- If you wish to occasionally polish your tap and it has a Chrome, Nickel or Pewter finish, we recommend a gentle metal cleaner such as AUTOSOL metal polish, which is available from hardware and automotive parts stores.
- **Do not use any cleaners on Gold or English Bronze taps.**
- **Do not use proprietary abrasive liquids, powders, or pads to clean the product. You will damage the plated finish and void your warranty.**

## INSTALLATION INSTRUCTIONS

### ROHL WARRANTY POLICY

All products supplied by ROHL carry warranties against manufacturing defects.

Perrin & Rowe products carry a Limited Lifetime Warranty.

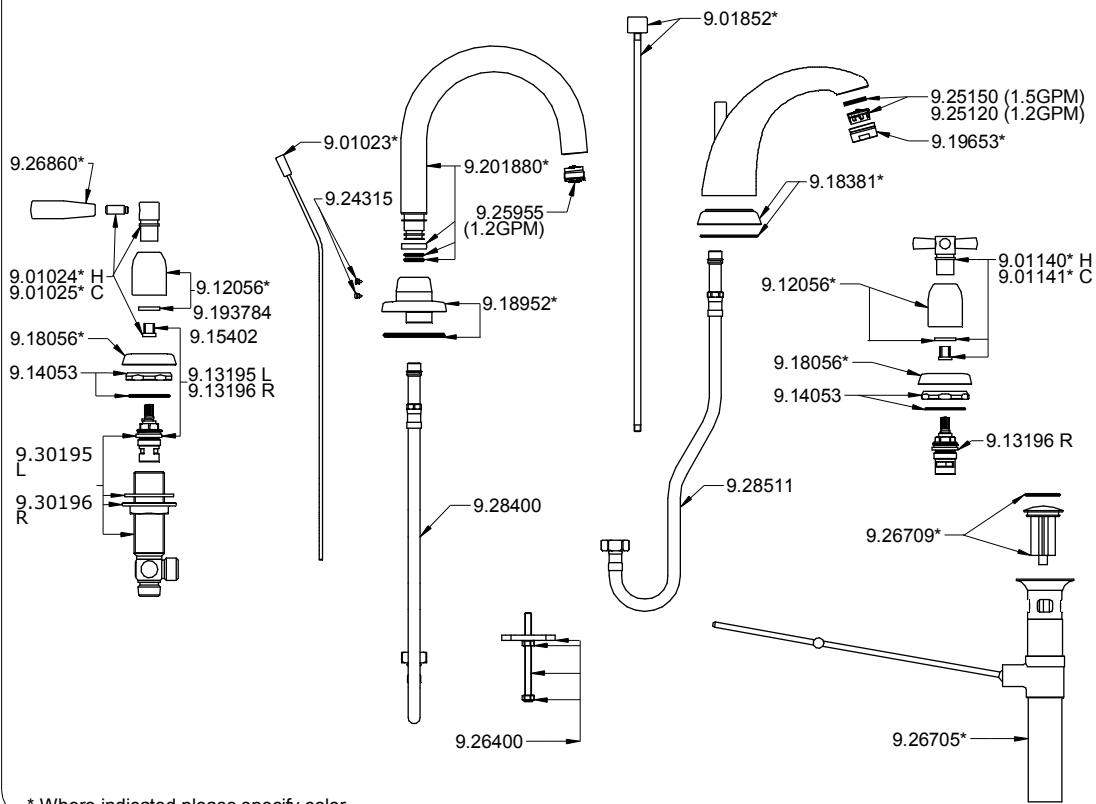
ROHL LLC will provide free of charge, as its options, replacement part(s) or product (or a comparable alternative product) to replace those which have proven defective in materials or workmanship.

For full ROHL LLC WARRANTY please contact ROHL or visit [www.rohlhome.com](http://www.rohlhome.com)

### SPARES

•U.3860LS  
•U.3861X

•U.3955LS  
•U.3956X



\* Where indicated please specify color

### SPARE PARTS & SERVICE

**ROHL**  
Authentic Luxury for Kitchen and Bath™  
Perrin & Rowe

Irvine  
CA 92618  
(714) 557-1933

[www.rohlhome.com](http://www.rohlhome.com)

Perrin & Rowe products are manufactured in the UK, using the latest technology and built to the highest quality standards.

We would like to thank you for purchasing a Perrin & Rowe product and take this opportunity to invite you to look at other luxury products by us. Please contact us to receive our latest catalogue.