



ENGINEERING EXCELLENCE

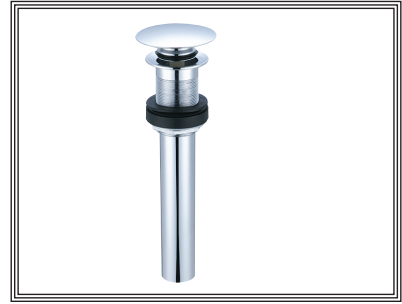
Accessories #X-6300010 SPECIFICATION SHEET

DESCRIPTION

- Push Down Drain Without Overflow

FINISHES

- PC PVD Polished Chrome
- BN PVD Brushed Nickel



#X-6300010 SHOWN

STANDARDS APPLICABLE

- ASME A112.18.1

Model #: _____

Specific Features: _____

Project Name: _____

Submitted For: _____

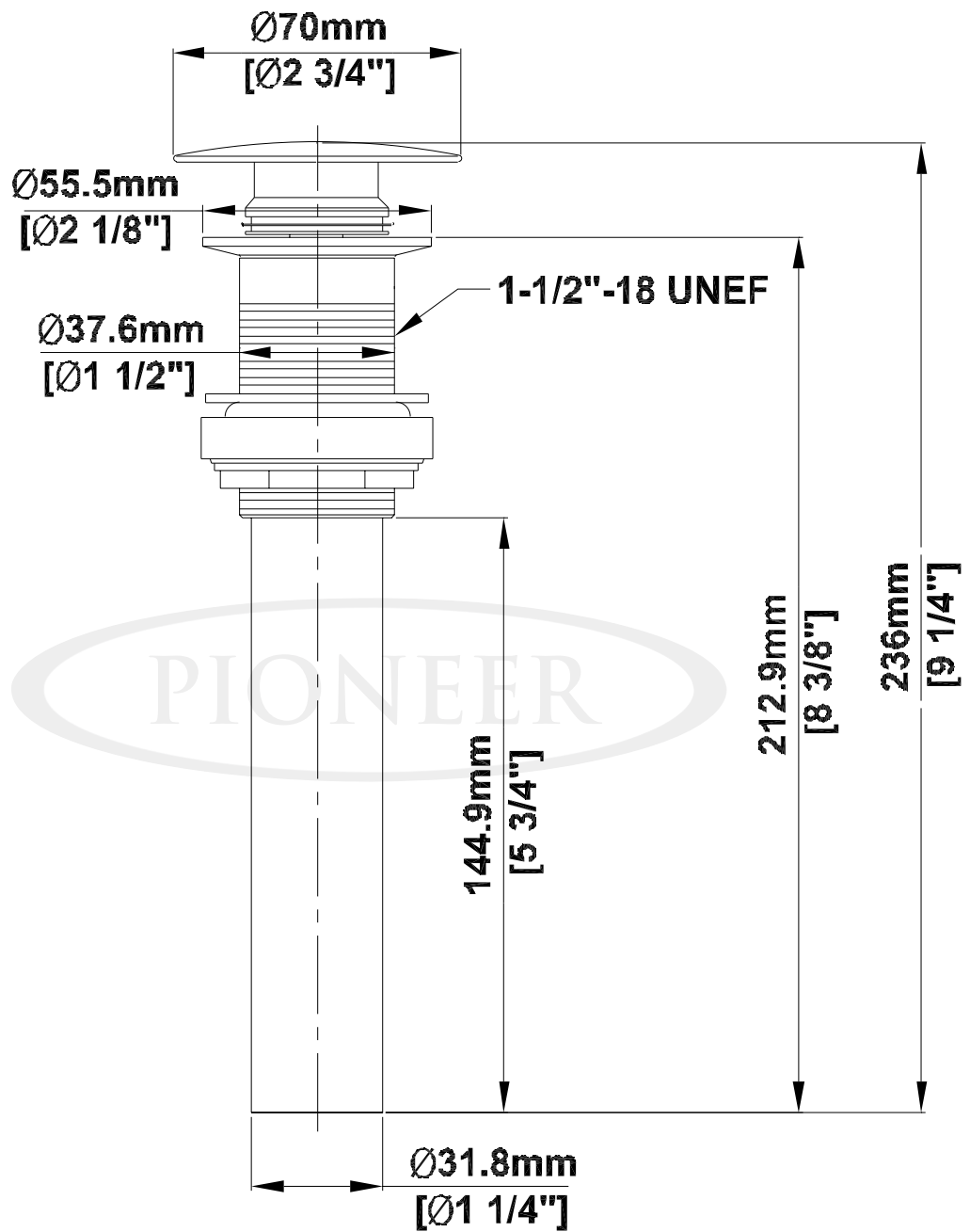
Model	Description	Finishes	
#X-6300010	Push Down Drain Without Overflow	<input type="checkbox"/> PC	<input type="checkbox"/> Other__



ENGINEERING EXCELLENCE

Pioneer: 1-800-338-9468
Commerce, CA 90040
www.pioneerind.com
Pioneer Industries, Inc. © 2009

DMSPX-6300010/REV. 12 2009
Page 1 of 2



Product Diagram



ENGINEERING EXCELLENCE

Pioneer: 1-800-338-9468
 Commerce, CA 90040
 www.pioneerind.com
 Pioneer Industries, Inc. © 2009