



**Pioneer Faucets**  
STYLE THAT WORKS

**6MO101T**  
**Mod Series**



**Single Handle Diverter Trim Set**

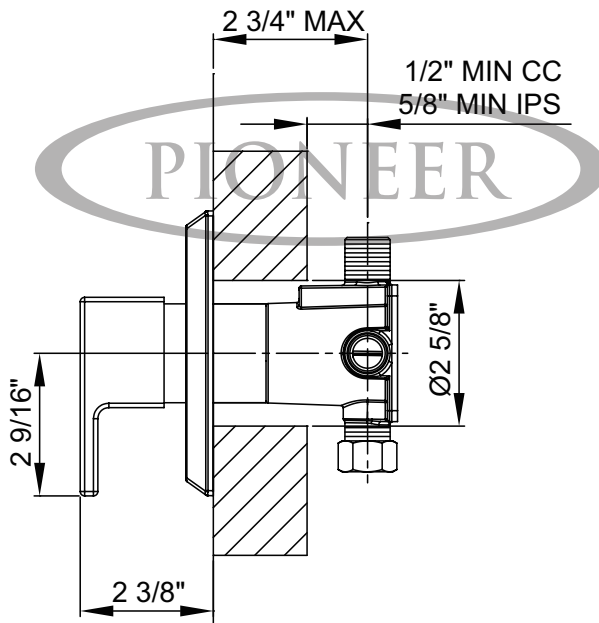
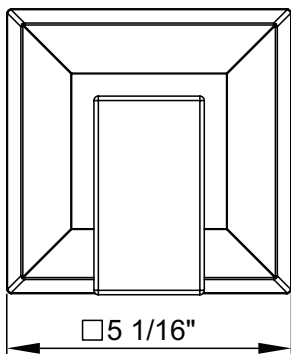
- Metal Lever Handle
- Diverter Valve Face Plate
- Diverter Valve Sleeve
- For Use with 4100B Valve - Valve not included

**Code and Standards**

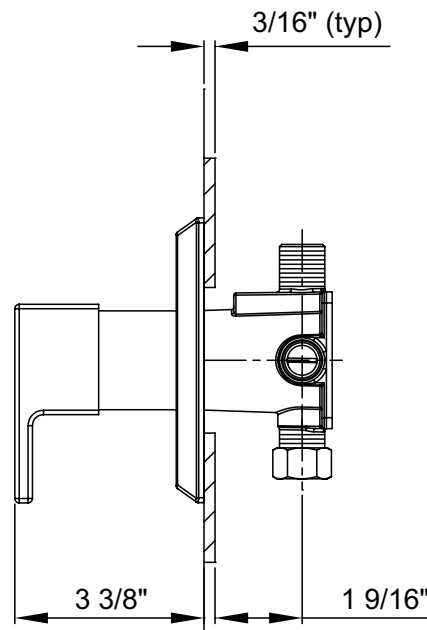
- ASME A112.18.1-2018/CSA B125.1-18
- ADA: Compliance to ICC/ANSI A117.1 (Lever Handle Only)



\*For other finishes and flow rates offered, please visit our website, email an inquiry to [sales@pioneerind.com](mailto:sales@pioneerind.com) or contact our sales at 800-338-9468



THICK WALL



THIN WALL