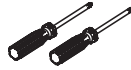




PIONEER INDUSTRIES, INC.
3325 S. Garfield Ave.
Commerce, CA 90040
(800) 338-9468
www.pioneerind.com

INSTALLATION

Tools:



Straight & Phillips
Screwdriver



Plumbers Putty



Rags

Model Number: 6LG101T, 6DM101T, 6AM101T,
6BR1X1T, 6MT101T



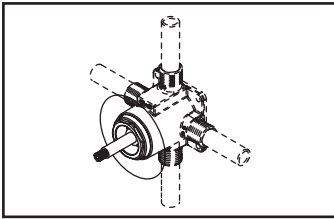
Warnings and Notes:

Check with local plumbing code requirements before installation.
This product should be installed by a local listed plumber.

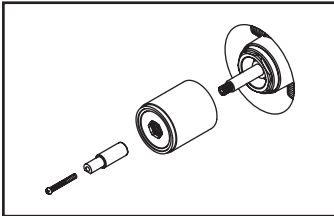
Do not use plumbers putty on threads.

Installation Steps:

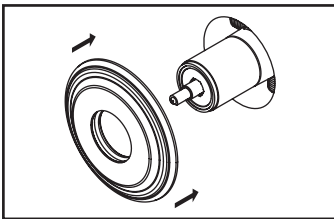
Single Handle Diverter Trim Set



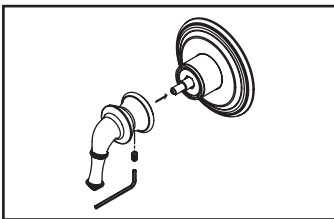
(1) Remove the protective cover if placed on the valve



(2) Thread the valve sleeve on the valve. Install the handle adapter on the diverter valve stem. secure the handle adapter with the screw.



(3) Slide the face plate on the valve sleeve. Ensure the rubber gasket is behind the face plate. Apply silicon to caulk around the face plate to form water tight seal.

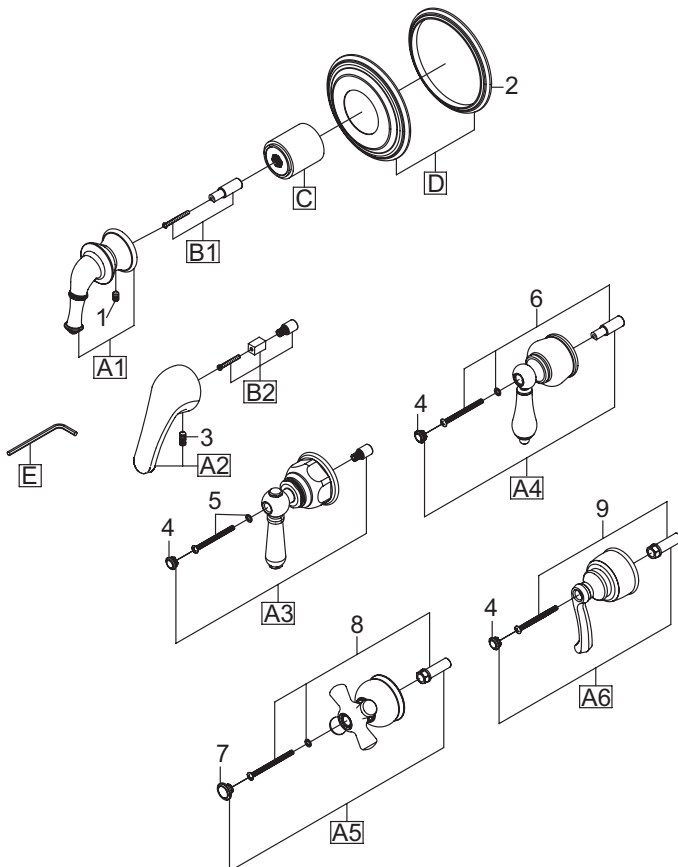


(4) Install the handle on the handle adapter . Tighten the Allen screw with 3/32" size Allen wrench. Check if water diverts to desired outlet.

Exploded Drawing (For 6DM101T, 6LG101T, 6AM101T, 6BR1X1T)

* Note: Please specify finish/color when ordering.

	ITEM #	DESCRIPTION
A1	X-1600011*	Del Mar Handle (For 6DM101T)
A2	X-1400025*	Legacy Handle (For 6LG101T)
A3	X-1600002*	Americana Handle (For 6AM101T)
A4	X-1600003*	Brentwood Lever Handle (For 6BR101T)
A4	X-1600004*	Brentwood Porcelain Lever Handle (For 6BR111T)
A5	X-1600005*	Brentwood Porcelain Cross Handle (For 6BR121T)
A6	X-1600006*	Brentwood Beaux Handle (For 6BR131T)
B1	X-4600020	Handle Adapter (For 6DM101T)
B2	X-4600036	Handle Adapter (For 6LG101T)
C	X-4600035*	Sleeve
D	X-6600001*	Face Plate
E	X-4900024	3/32" Allen Wrench (For 6DM101T, 6LG101T)
1	X-4900002	3/32" Allen Screw (For 6DM101T)
2	X-4600025	Rubber Gasket
3	X-4900080	3/32" Allen Screw (For 6LG101T)
4	X-4900042P*	Handle Button-Plain (For 6AM101T, 6BR101T, 6BR111T, 6BR131T)
5	X-4600027	Handle Screw (For 6AM101T)
6	X-4600028	Handle Adapter (For 6BR101T, 6BR111T)
7	X-4900062P*	Handle Button-Plain (For 6BR121T)
8	X-4600029	Handle Adapter (For 6BR121T)
9	X-4600030	Handle Adapter (For 6BR131T)

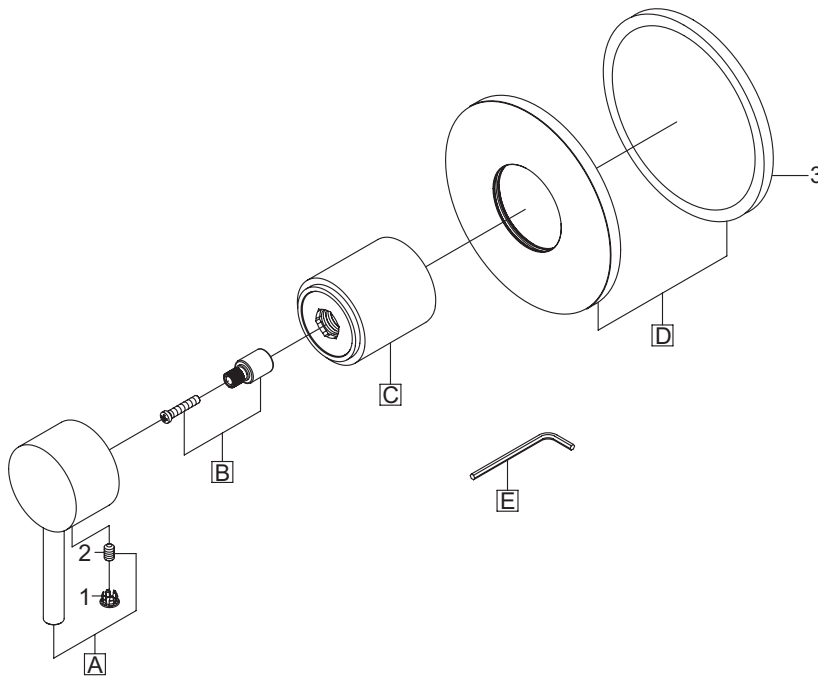


For more care information or trouble shooting inquiries about your Pioneer product, please call:
Pioneer Industries, Inc. (800) 338-9468
 Monday-Friday 8AM to 8PM EST (5AM to 5PM PST)
www.pioneerind.com

Exploded Drawing (For 6MT101T)

* Note: Please specify finish/color when ordering.

	ITEM #	DESCRIPTION
A	X-1600001*	Motegi Handle
B	X-4600013	Handle Adapter
C	X-4600035*	Sleeve
D	X-6600011*	Face Plate
E	X-4900024	3/32" Allen Wrench
1	X-4900044*	Hole Cover
2	X-4900002	3/32" Allen Screw
3	X-4600012	Rubber Gasket



For more care information or trouble shooting inquiries
about your Pioneer product, please call:
Pioneer Industries, Inc. (800) 338-9468
Monday-Friday 8AM to 8PM EST (5AM to 5PM PST)
www.pioneerind.com