



### TECHNICAL DETAILS

ADA Compliance: Yes  
 Drain Assembly Material: Brass  
 Drain Style: Push to Close  
 Fitting Hole Diameter: 1 1/8"  
 Number of Holes: Three Hole  
 Number of Handles: Two  
 Handle Turn Angle: Quarter Turn  
 Spout Reach: 9 3/8"  
 Installation Type: Wall Mounted  
 Primary Material: Brass  
 Valve Material: Ceramic  
 Flow Restriction: 1.2 gpm  
 Water Pressure Maximum: 85 PSI  
 Water Pressure Minimum: 20 PSI  
 Water Pressure Recommended: 60 PSI

### PRODUCT FEATURES

- Style: Traditional
- Collection: Regent
- Temperature Controlled By Handles
- Lever Handles
- Bleu Sodalite

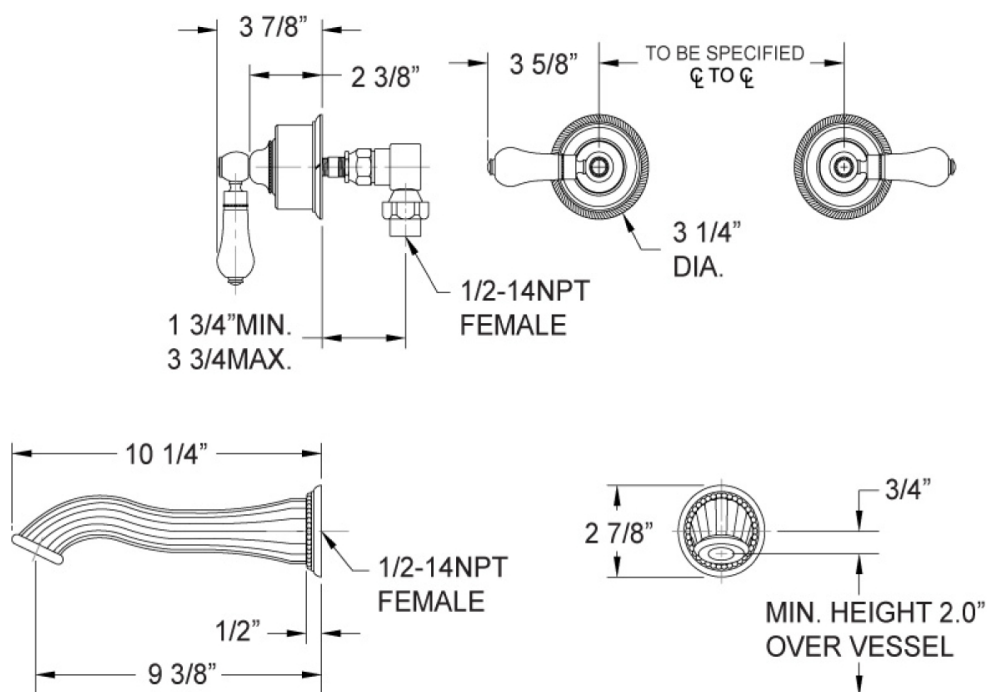
### CODES & STANDARDS



ASME A112.181/ CSA B1251, ASME 112.18.2/ CSA B125.2, ANSI NSF, CEC, Watersense 61 Sect. 9, State of MA.

### WARRANTY

Mechanical Warranty: 10 Years from date of purchase.  
 Finish Warranty: See catalog for further information.



Valve Shown: 8090536R