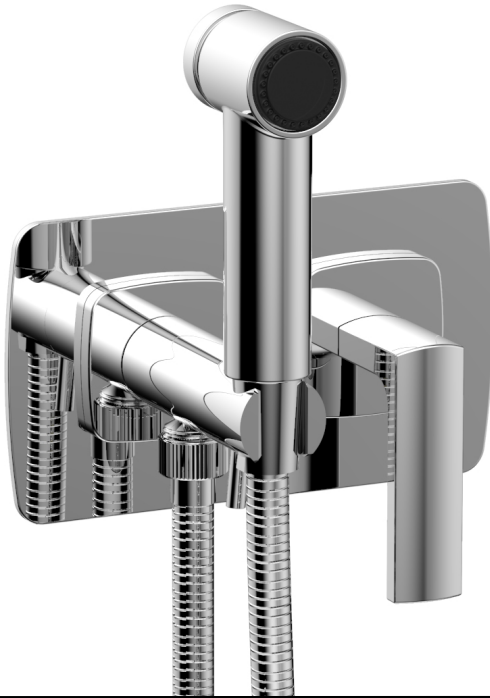


181-65



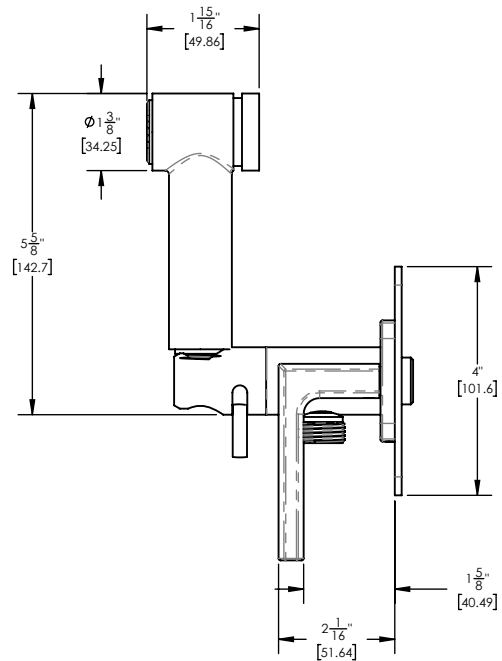
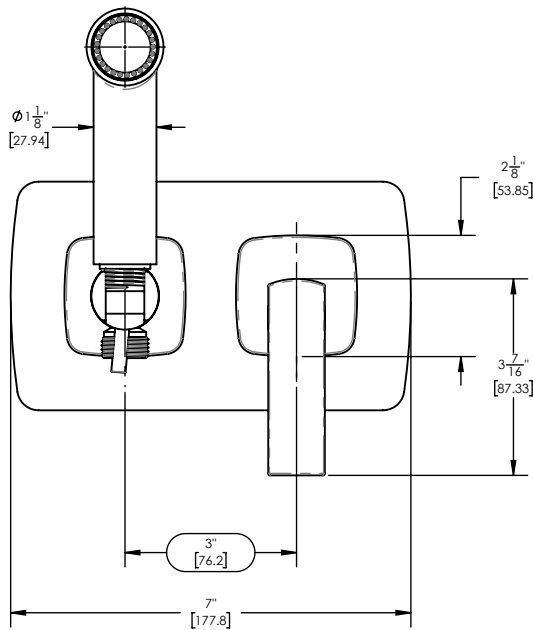
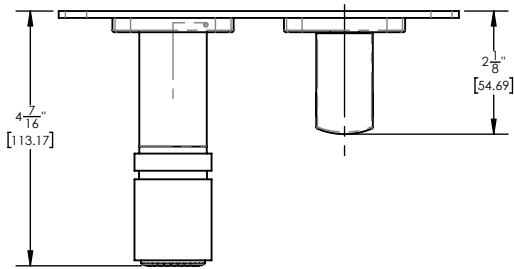
## ■ PRODUCT FEATURES

- Style: Contemporary
- Collection: Radi
- Temperature Controlled By Handles
- Lever Handle
- 
- 

## ■ TECHNICAL DETAILS

Number of Handles: 1  
 Handle Turn Angle: Quarter Turn  
 Installation Type: Wall Mounted  
 Primary Material: Brass  
 Valve Material: Ceramic  
 Flow Restriction: 1.8 GPM  
 Water Pressure Maximum: 85 PSI  
 Water Pressure Minimum: 20 PSI  
 Water Pressure Recommended: 60 PSI

## ■ PRODUCT DIMENSIONS



[www.phylrich.com](http://www.phylrich.com)

1261 Logan Avenue, Costa Mesa, California 92626.  
 Phone: 714.361.4800 Fax: 714.617.3120

Rev-



**CODES & STANDARDS**

ASME A112.181/ CSA B1251, ASME 112.18.2/ CSA B125.2, ANSI NSF, CEC

**WARRANTY**

Mechanical Warranty: 10 Years from date of purchase.  
 Finish Warranty: See catalog for further information.