

K8161



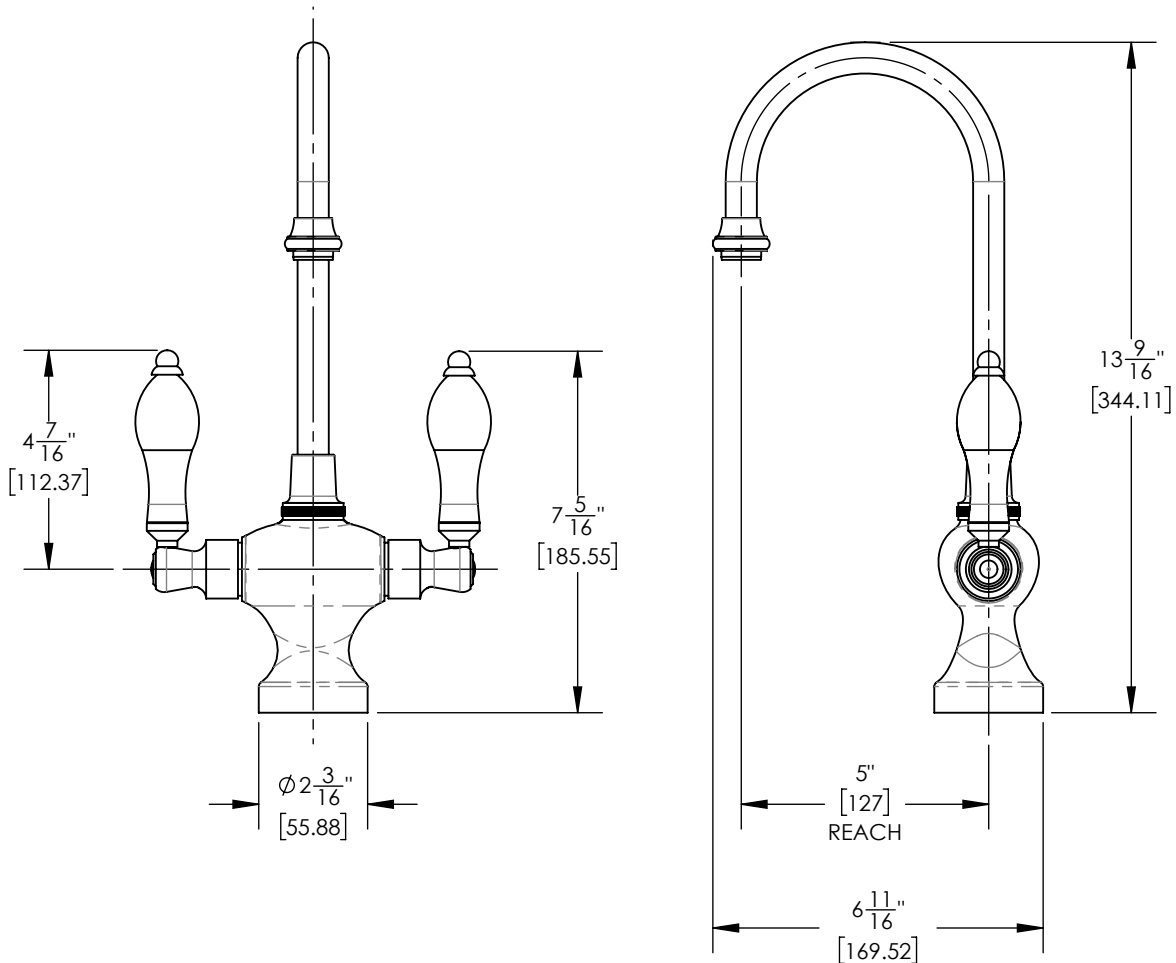
■ **PRODUCT FEATURES**

- 
- 
- 
- 
- 
- 

■ **TECHNICAL DETAILS**

ADA Compliance: Yes  
 Deck Thickness Maximum: 2"  
 Deck Thickness Minimum: 1/8"  
 Fitting Hole Diameter: 1 1/8 - 1 3/8"  
 Number of Holes: 1  
 Number of Handles: 2  
 Hand Turn Angle: 90°  
 Spout Reach: 5"  
 Spout Height: 13 9/16"  
 Inlet Connection Type: 3/8" Compression  
 Installation Type: Deck Mounted  
 Primary Material: Brass  
 Valve Material: Ceramic  
 Flow Restriction: 2.2 gpm max  
 Water Pressure Maximum: 85 PSI  
 Water Pressure Minimum: 20 PSI

■ **PRODUCT DIMENSIONS**



[www.phylrich.com](http://www.phylrich.com)

1261 Logan Avenue, Costa Mesa, California 92626.  
 Phone: 714.361.4800 Fax: 714.617.3120



**CODES & STANDARDS**

ASME A112.181/ CSA B1251, ASME 112.18.2/ CSA B125.2, ANSI NSF, CEC

**WARRANTY**

Mechanical Warranty: 10 Years from date of purchase.  
 Finish Warranty: See catalog for further information.

Rev-