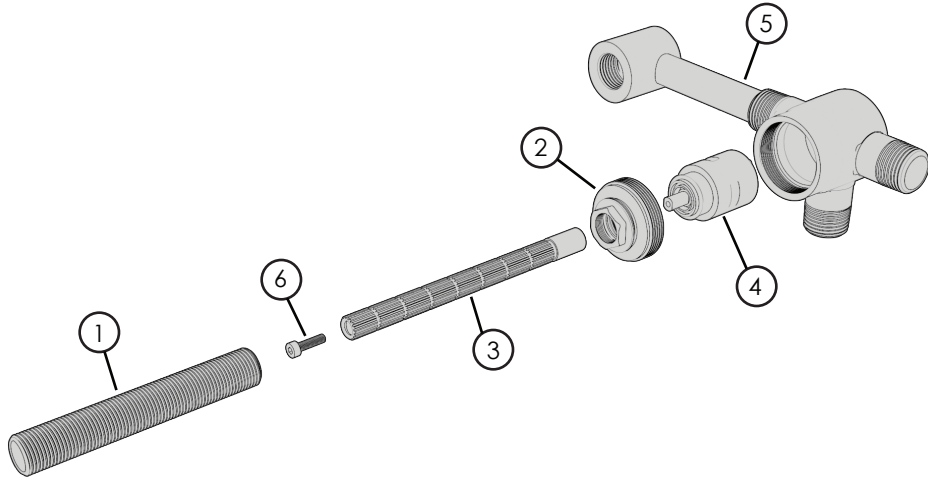


## SPECIFICATIONS

ITEM NO.	PART NUMBER	DESCRIPTION	QTY.
1	10209	SHANK, NIPPLE THREAD ALL 9/16"-20UN WITH .433"ID	1
2	10485	NUT, SINGLE HANDLE WALL VALVE	1
3	10486	STEM EXTENSION, 16PT. EXT. BROACH, SINGLE HANDLE WALL VALVE	1
4	10488	STSR CARTDRIDGE ST233, CLOSED TYPE	1
5	2-178	SUB ASSY. SINGLE HANDLE WALL VALVE	1
6	92159	M3 X 10MM SOCKET HEAD SCREW, STAINLESS S.	1



## INSTALLATION INSTRUCTIONS FOR

# PHYLIRICH®

Defining Luxury Since 1959

Single Handle Wall Valve

PART# 9090536

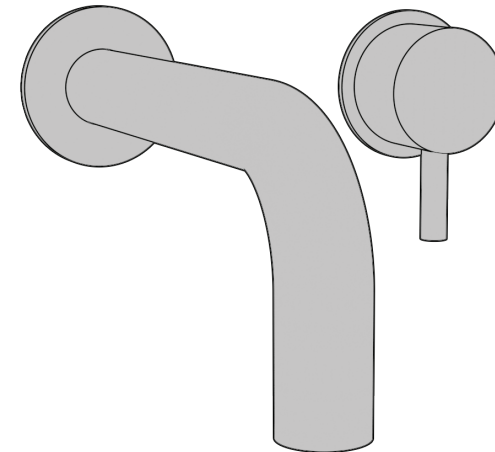
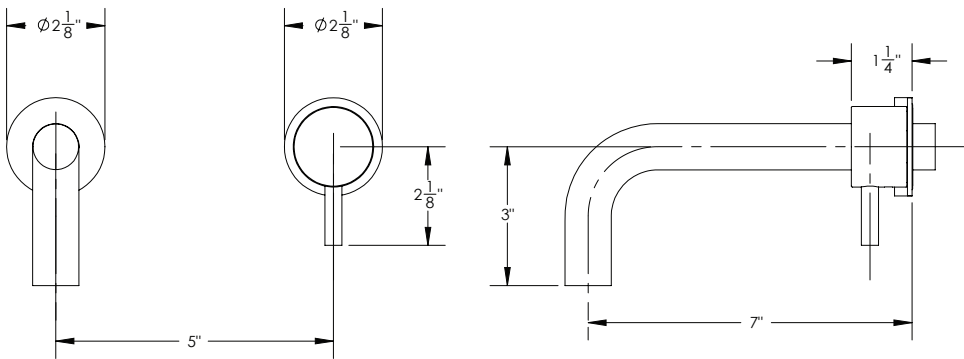
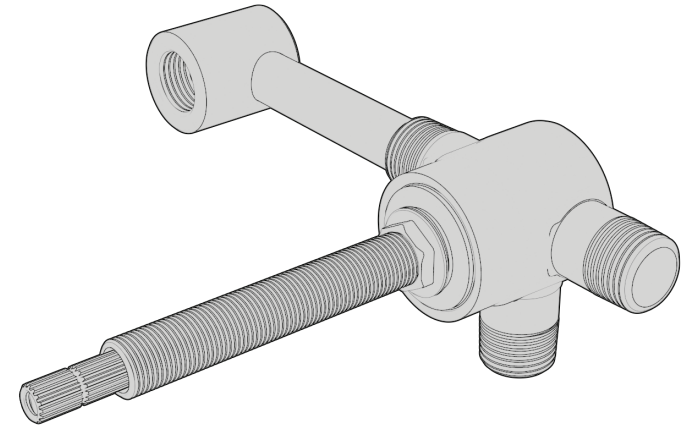
"BASIC II" Single Handle Wall Lavatory Set

PART# 230-15

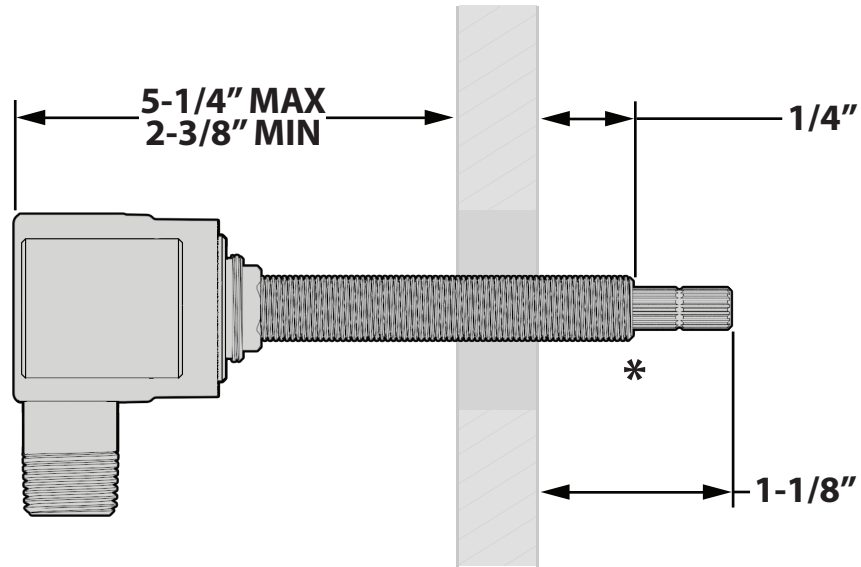
## GENERAL CHARACTERISTICS

**WE RECOMMEND THAT ALL PLUMBING PRODUCTS BE INSTALLED BY A LICENSED PROFESSIONAL**

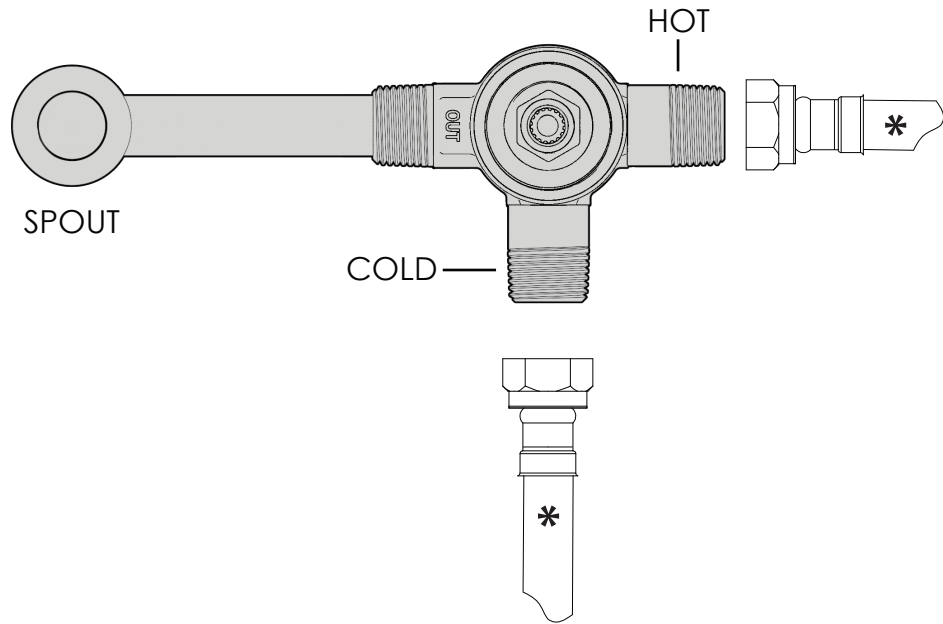
**IMPORTANT:** Thoroughly read instructions before installation.



## VALVE INSTALLATION

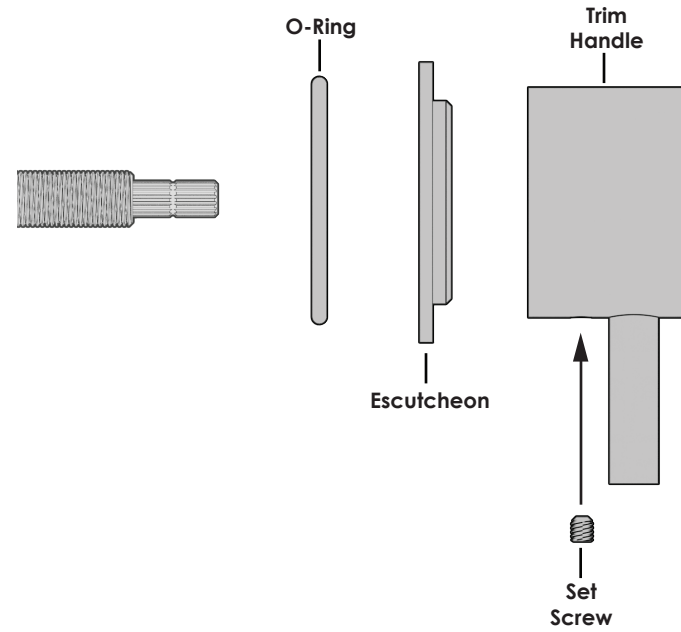


\*CUT TO LENGTH IF NEEDED

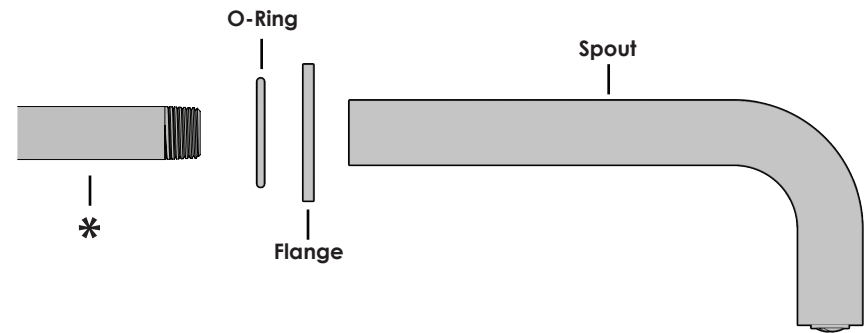


\*SUPPLY LINES ARE NOT INCLUDED

## TRIM INSTALLATION



## SPOUT INSTALLATION



\*1/2" NPT NIPPLE NOT INCLUDED